

Ref. : X 2102.pas

Rev. : D

Date : 25/05/2018

Page : 1/1

BACKFLOW PREVENTER MALE TYPE BA CONTROLABLE REDUCED PRESSURE

X 2102



APPLICATION

Collective or industrial heating, sprinkler network, watering and irrigation, swimming pool installation, air treatment installation, water treatment with non authorized products by medical network, etc.

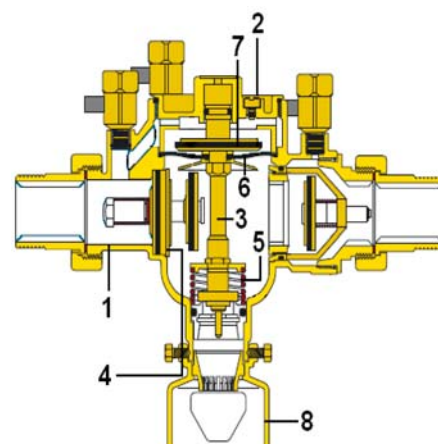
GENERAL CHARACTERISTICS

Respect the flow direction indicated by an arrow on the body
Horizontal position Male / Male BSP
Controlable
Low head loss
With male union
With ball valves 1/4" BSP



CONSTRUCTION

8	Evacuation support	Polymere (DN1/2 - 1") Brass (DN1"1/2 - 2")	
7	Gasket	NBR	
6	Diaphragm	EPDM (DN1/2 - 1") NBR (DN1"1/2 - 2")	
5	Spring	Stainless steel	AISI 302
4	Check valve	POM + PSU (DN1/2") PSU (DN1" - 2")	
3	Stem	Stainless steel	AISI 303
2	Bonnet	Brass (DN1/2 - 1") Bronze (DN1"1/2 - 2")	
1	Body	Brass (DN1/2 - 1") Bronze (DN1"1/2 - 2")	
Pos.	Description	Material	



DIMENSIONS

DN		L	L1	H	H1	H2	Weight (kg)
mm	inch						
15	1/2"	130	83	158	77.5		0.9
20	3/4"	228	153	263	103	44.5	2.6
25	1"	238	153	263	103	44.5	2.7
32	1" 1/4	280	187	292	100	74.5	3.7
40	1" 1/2	387	274	382	130	108.5	11.4
50	2"	395	274	382	130	108.5	11.8

WORKING CONDITIONS

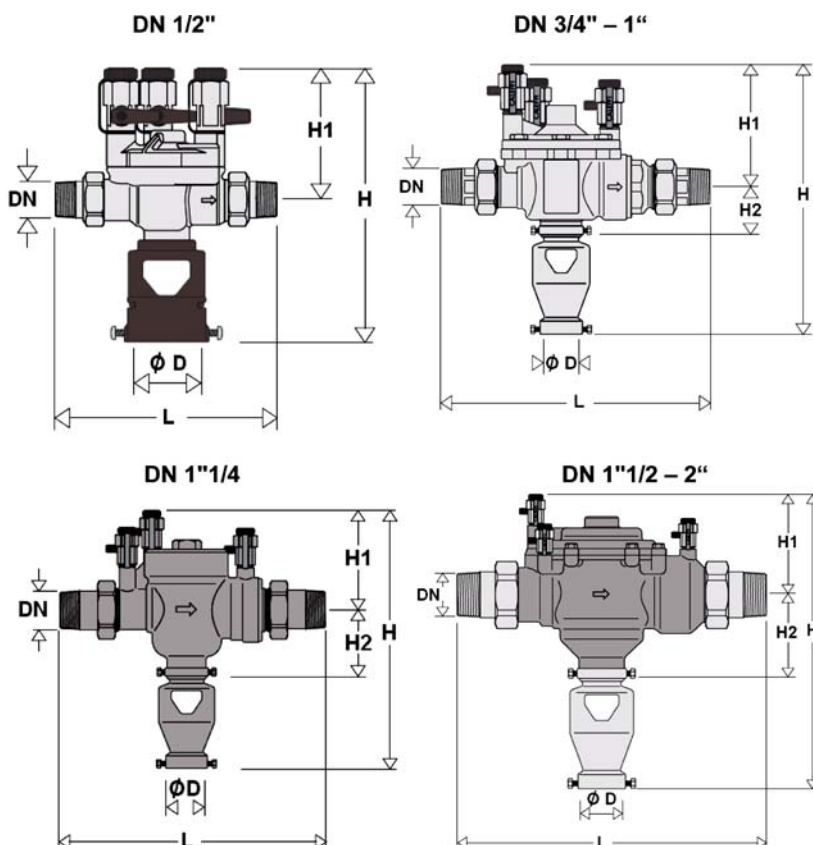
Maximum working pressure : 10 bar.
Maximum temperature : +5°C / + 65°C.

Test pressure according to EN 12266-1,
DIN 3230, BS 5154 et ISO 5208 :

Body : 15 bar.
Seat : 11 bar.

STANDARD

Fabrication according to ISO 9001 : 2015
and ISO 14001 : 2004
Male/male threaded connection BSP according to ISO 228-1.
Frnech water agreement **A.C.S. N° 09 ACC LY 090**



The specifications of the presented products are open to modifications without previous advice

The photographs and technical art works are not contractual.