

# MANUAL OPERATED GEAR BOX

## TECHNICAL PASSPORT

VPNREDUCT\_FR

### MANUAL OPERATED GEAR BOX FOR BUTTERFLY VALVE

#### APPLICATION

The TECOFI manual gear box is used for maneuvering butterfly valves which have an ISO 5211 mounting plate



#### GENERAL CHARACTERISTICS

- Manual gearbox with 1/4 turn rotation at the output
- Maneuver by multiple rotation of the steering wheel
- Internal mechanism: worm screw coupled with worm wheel segment
- Clearance-free operation, reduced maneuvering effort
- End of opening and closing position adjustment stops
- Position indicator on the cover
- Envelope, external screws and steering wheel covered with epoxy paint
- Interior greased for life with lithium-based grease, immiscible with water
- Stainless steel handwheel connecting stem
- Internal parts in very resistant materials
- Output plate with female maneuvering square.
- Protection index IP66



#### CONNECTION

Mounting plate located on the gearbox lower face	Installation using screws on the valve mounting plate according to ISO 5211: - F05 (DN40-100) - F07 (DN125-150) - F10 (DN200-300)
--	--

#### APPROVALS



#### Tecofi France

83 rue Marcel Mérieux - 69960 Corbas  
 Tél. +33 (0)4 72 79 05 79 - Fax. +33 (0)4 78 90 19 19  
 E-mail : sales@tecofi.fr - [www.tecofi.fr](http://www.tecofi.fr)

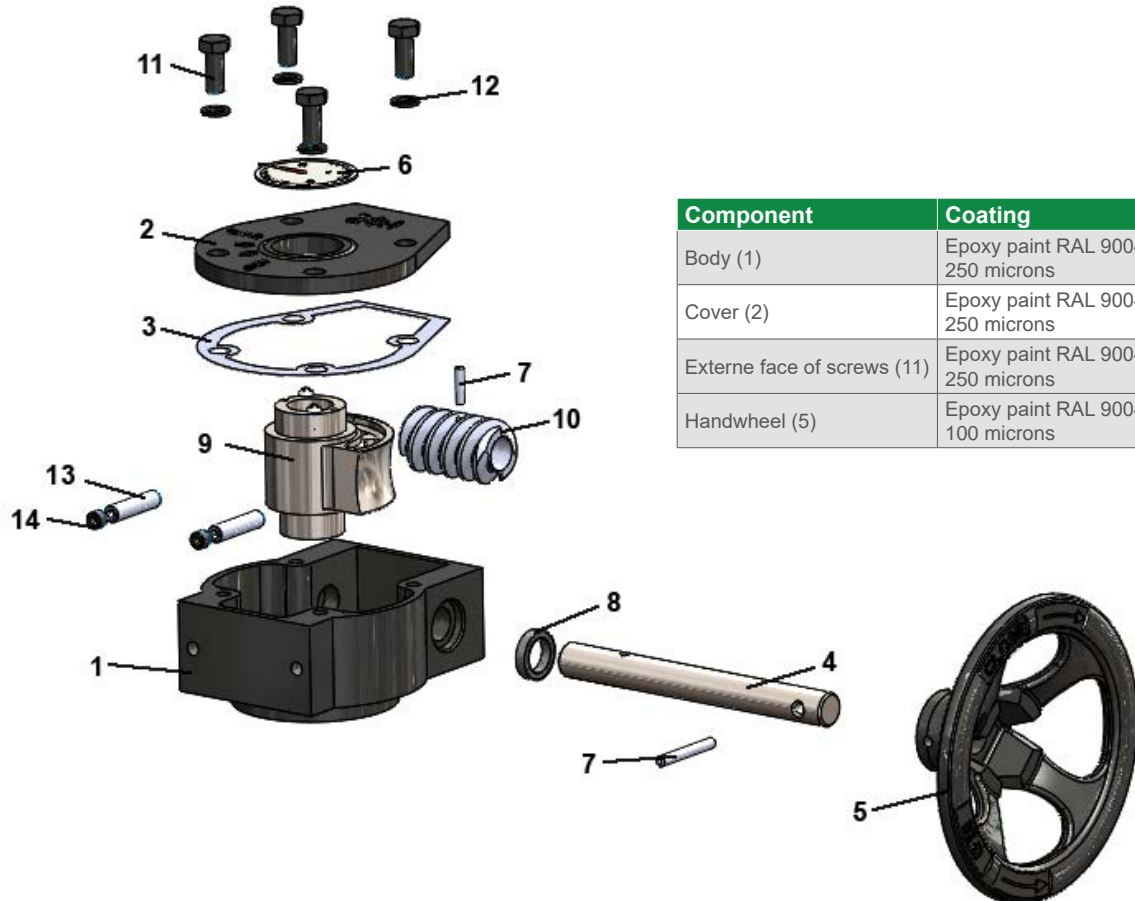


## MANUAL OPERATED GEAR BOX

### TECHNICAL PASSPORT

VPNREDUCT\_FR

#### CONSTRUCTION



Component	Coating
Body (1)	Epoxy paint RAL 9004 250 microns
Cover (2)	Epoxy paint RAL 9004 250 microns
Externe face of screws (11)	Epoxy paint RAL 9004 250 microns
Handwheel (5)	Epoxy paint RAL 9004 100 microns

Pos.	Quantity	Description	Material
1	1	Body	Cast iron ASTM A126 Classe B
2	1	Cover	Cast iron ASTM A126 Classe B
3	1	Gasket	NBR
4	1	Stem	Stainless steel 410
5	1	Handwheel	Cast iron ASTM A126 Classe B
6	1	Indication plate	Aluminium
7	2	Pin	Steel
8	1	Stem gasket	NBR
9	1	Pinion	Ductile iron GGG40
10	1	Worm	Steel
11	4	Screw	Stainless steel A2
12	4	Washet	Stainless steel A2
13	2	Stop rod	Stainless steel A2
14	2	Stop adjustment screw	Stainless steel A2

#### Tecofi France

83 rue Marcel Mérieux - 69960 Corbas  
 Tél. +33 (0)4 72 79 05 79 - Fax. +33 (0)4 78 90 19 19  
 E-mail : sales@tecofi.fr - [www.tecofi.fr](http://www.tecofi.fr)

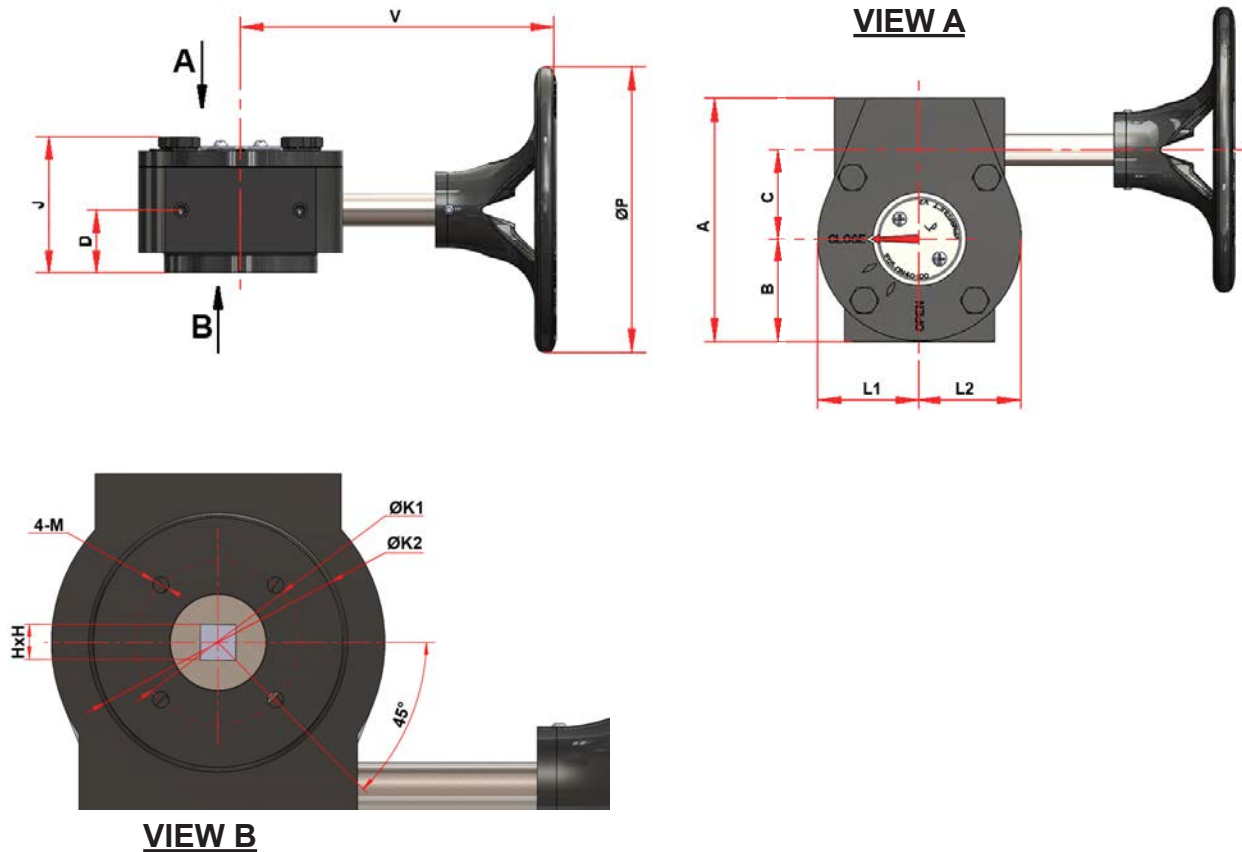


## MANUAL OPERATED GEAR BOX

### TECHNICAL PASSPORT

VPNREDUCT\_FR

#### DIMENSIONS



DN		ISO Plate	J	$\varnothing P$	V	A	B	C	D	L1	L2	Number of turns	Ratio	Maximum output torque (Nm)	4-M	HXH	$\varnothing K1$	$\varnothing K2$	Weight (kg)
mm	inch																		
40	1 1/2"	F05	63.5	150	160	125	50	45	43	52	52	6	24:1	150	4-M6	9X9	50	65	4.2
50	2"	F05	63.5	150	160	125	50	45	43	52	52	6	24:1	150	4-M6	9X9	50	65	4.2
65	2 1/2"	F05	63.5	150	160	125	50	45	43	52	52	6	24:1	150	4-M6	9X9	50	65	4.2
80	3"	F05	63.5	150	160	125	50	45	43	52	52	6	24:1	150	4-M6	9X9	50	65	4.2
100	4"	F05	63.5	150	160	125	50	45	43	52	52	6	24:1	150	4-M6	11x11	50	65	4.2
125	5"	F07	63.5	150	160	125	50	45	43	52	52	6	24:1	150	4-M8	11x11	70	90	4.3
150	6"	F07	63.5	150	160	125	50	45	43	52	52	6	24:1	150	4-M8	14x14	70	90	4.3
200	8"	F10	82	305	232	185	75	77.5	45	70	70	12.5	50:1	500	4-M10	17x17	102	125	10.8
250	10"	F10	82	305	232	185	75	77.5	45	70	70	12.5	50:1	500	4-M10	22x22	102	125	10.8
300	12"	F10	82	305	232	185	75	77.5	45	70	70	12.5	50:1	500	4-M10	22x22	102	125	10.8

**Tecofi France**

83 rue Marcel Mérieux - 69960 Corbas  
 Tél. +33 (0)4 72 79 05 79 - Fax. +33 (0)4 78 90 19 19  
 E-mail : sales@tecofi.fr - [www.tecofi.fr](http://www.tecofi.fr)

