

Ref. : VPN 3448-MX4 pas

Rev. : B

Date : 15/09/2015

Page : 1/1

BUTTERFLY VALVE WITH ELECTRIC ACTUATOR "BELIMO"

VPN 3448-MX4



PRODUCT REFERENCE

VPN3448-MX4	Electric actuator Type
VPN3448-M04	BELIMO 100 - 240V 50/60Hz AC
VPN3448-M14	BELIMO 24V AC/DC

APPLICATION

General use : Installation of heating, air-conditioning and aeration.
"Non suitable for steam application"

CARACTERISTIQUES GENERALES

Design according with BS EN 593.
Type with lugs, tightness in both ways.
Sleeve in dovetail shape ensures a perfect assembling (for high vacuum we can stick it).
High and low semi stem giving a high flow coefficient, machined disc on periphery giving a low and regular torque.
Unejectable stem, dovetail type sleeve, mounting flange according to ISO 5211..

CONSTRUCTION

12	1	Electric actuator	BELIMO	
11	1	Nameplate	Stainless steel 304	
10	2	Circlip	Steel	
9	1	Bottom cover	NBR	
8	2	O ring	EPDM	
7	1	Antidust ring	NBR	
6	1	Anti blowout ring	Stainless steel 420	DIN : 1.4021 ASTM : AISI 420 BS : 420 S 37
5	1	Lower stem	Stainless steel 420	DIN : 1.4021 ASTM : AISI 420 BS : 420 S 37
4	1	Upper stem	Stainless steel 420	DIN : 1.4021 ASTM : AISI 420 BS : 420 S 37
3	1	Sleeve	EPDM CH	In standard
2	1	Disc	Ductile iron EN-GJS-400-15	DIN: GGG 40 ASTM: A536 65-45-12 BS: 1563 EN-JS1030
1	1	Body	EN-GJL-250	DIN : GG25 ASTM : A48 class 40B BS : 1452 Grade 250
Pos.	Q-ty	Description	Material	

DIMENSIONS

DN		Actuator reference	A	B	C	M	N	Weight (kg)
mm	inch							
40**	1 1/2	SR	218	58	34	176	150	2,4
50	2"	SR	223,7	65	41,8	176	150	3,0
65	2 1/2	SR	236,4	73	45,3	176	150	3,4
80	3"	SR	242,8	85	45,3	176	150	4,0
100	4"	GR	275	100	51,5	59	183	5,7
125	5"	GR	287,5	115	54,5	59	183	7,9

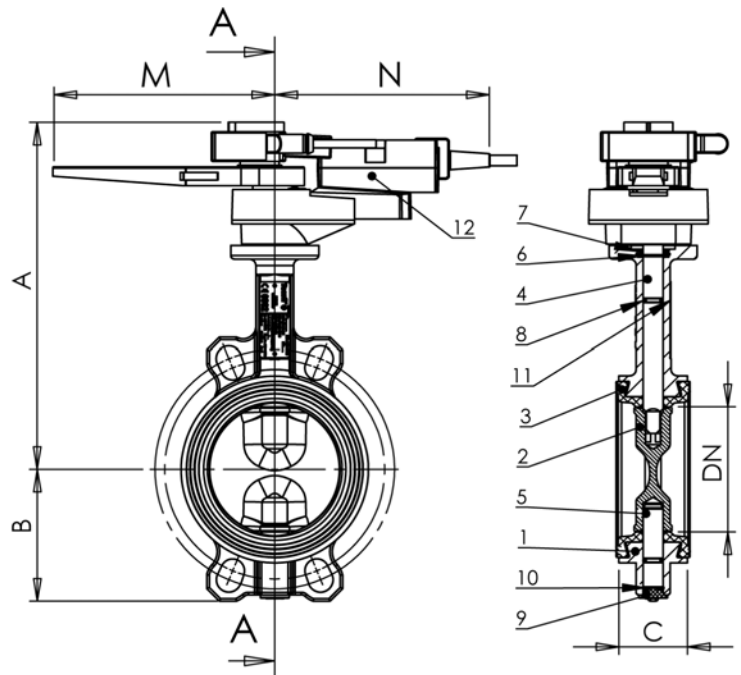
** Can be installed between DN32 flanges

WORKING CONDITIONS

Maximum working pressure : 5 bar.
Embiant temperature: 0°C / +50°C.
Maximum temperature of medium : -20°C / +100°C.

Sleeve types in option:

EPDM, White EPDM, CSM(Type Hypalon®),
FPM (Type Viton®), Silicone, Nitril (NBR).



STANDARDS

Manufacture according to the requirements of the European directive 2014/68/UE «Equipment under pressure»: modulate H.
Face to face according to standards NF EN 558-1 serie 20, ISO 5272 série 20, DIN 3202.
Mounting between flanges PN 10 / PN 16: according to EN 1092-2, BS 450, ANSI B16.1-5.
Adjustable between flanges ASME B16.5 Class 150 and JIS 10K.
Pressure test according to standards EN 12266-1, DIN 3230, BS 6755 and ISO 5208 :
Corps: 24 bar
Siège: 17.6 bar

TECOFI France - 83, Rue Marcel Mérioux 69960 Corbas - France
Tél. +33 (0)4 72 79 05 79 - Fax +33 (0)4 78 90 19 19 / +33 (0)4 72 79 05 79
Adresses e-mail: sales@tecofi.fr; tecofi@tecofi.fr / site web: www.tecofi.fr