

Ref. : VPI 4449-02EPA

Rev. : Initial

Date : 10/04/2017

Page : 1/1

# BUTTERFLY VALVE WITH HANDLE

## VPI 4449-02EPA



### APPLICATION

General use: drinking water.  
"Non suitable for steam application"

### CARACTERISTIQUES GENERALES

Design according with BS EN 593.  
Tightness in both ways. Wafer type with smooth ears.  
Flexible sleeve adapted to the shape of the body assures low operating torque. High and low semi stem giving a high flow coefficient, machined disc on periphery giving a low and regular torque. Unejectable stem, mounting flange according to ISO 5211.

### CONSTRUCTION

14	1	Handle	
13	1	Rivet	Aluminium
12	1	Nameplate	Stainless steel 304
11	2	Circlips	65Mn
10	1	Bottom cover	Plastic
9	1	Bushing	Stainless steel 201 + F4
8	2	O ring	NBR
7	1	Antidust ring	NBR
6	1	Anti blowout ring	Stainless steel 201
5	1	Lower stem	Stainless steel 420
4	1	Upper stem	Stainless steel 420
3	1	Sleeve	ACS EPDM
2	1	Disc	Stainless steel CF8M
1	1	Body	Ductile iron EN-GJS-500-7
Pos.	Qty	Description	Material

### DIMENSIONS

DN		A	B	C	D	ØE	L	Weight (kg)
mm	inch							
40*	1 1/2	135	52	52,5	180	75	32,5	2,1
50	2"	140	60	52,5	180	84,5	42,5	2,7
65	2 1/2	150	70	52,5	180	104,5	45,5	3,1
80	3"	156	91,6	52,5	180	123,5	45,5	3,5
100	4"	169	90	52,5	180	139,5	51,5	4,4
125	5"	190	105	52,5	220	169,5	55,5	6,3
150	6"	200	120	52,5	220	196	55,5	7,75
200	8"	224	158	65	450	247	59,5	14,3
250	10"	265	197	65	450	304	67,5	20,55
300	12"	303	230	65	450	358	77,5	28,6

\* Can be installed between DN32 flanges

### WORKING CONDITIONS

Maximum working pressure : 16 bar.

Maximum working temperature : -15°C / +130°C.

Peak temperature: -30°C / +150°C

### STANDARDS

Manufacture according to the requirements of the European directive 2014/68/EU «Equipment under pressure»: modulate H. Face to face according to standards NF EN 558 serie 20, ISO 5752 série 20, DIN 3202.

Mounting between flanges PN 10 / PN 16: according to EN 1092-2, BS 450, ANSI B16.1-5.

Adjustable between flanges ASME B16.5 Class 150 and JIS 10K.

Certificat of health conformity n° 16 ACC LY 562.

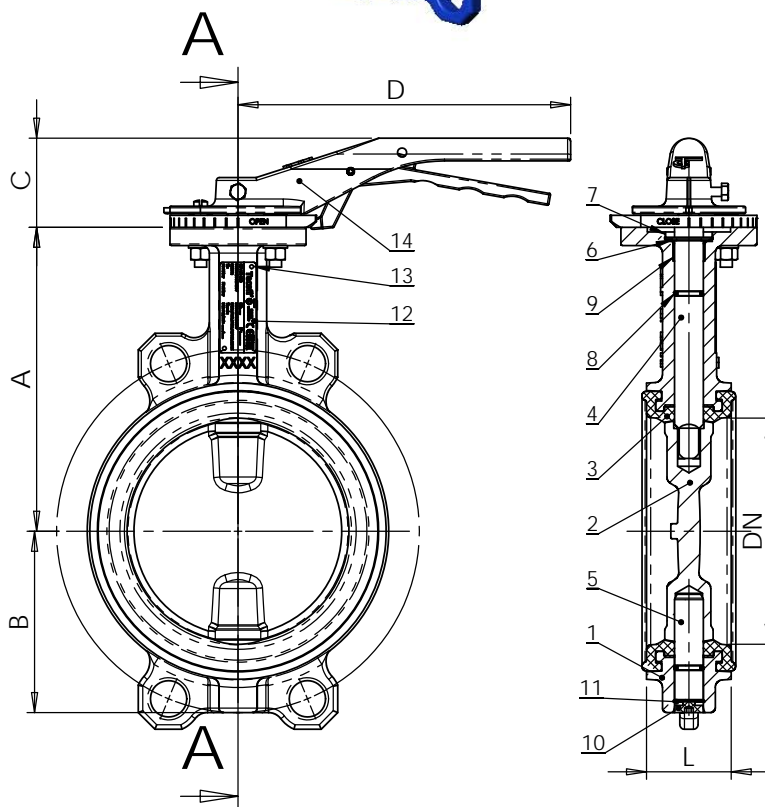
Pressure test according to standards EN 12266-1, DIN 3230, BS 6755 and ISO 5208 :

Body: 24 bar

Seat: 17.6 bar



ACS



The photographs and technical art works are not contractual. The specifications of the presented products are open to modifications without previous advice