

BUTTERFLY VALVE WITH HANDLE

TECHNICAL PASSPORT

BUTTERFLY VALVE - DUCTILE IRON BODY WITH HANDLE - LUGGED TYPE

VPG 4649-02

APPLICATION

VPE butterfly valves are intended for ON/OFF or control use in fluid transfer circuits.

- Area of use: HVAC.



Fluids: cold water, hot water, wastewater, liquid discharges, etc.
«Not suitable for steam application»

GENERAL CHARACTERISTICS

- Range:** from DN40 to DN300.
- Design according to NF EN 593.
 - Type with threaded lugs
 - Sealing in both directions of circulation of the piping.
 - Soft sleeve guaranteeing a perfect tightness.
 - Extended neck compatible with pipe lapping
 - Disc profiled and reduced in thickness
 - Reduced maneuvering torque.
 - Coupling stem on disc assembled by conical pin.
 - Reduced head losses.
 - Notched sector providing 10 positions of adjustment of the handle.
 - ISO 5211 mounting plate.



STANDARDS

Design	Manufacture according to the requirements of the European directive 2014/68/UE «Equipment under pressure»: modulate H.
Face to face	Face to face according to standards NF EN 558-1 série 20, ISO 5272 série 20, DIN 3202.
Connection	Mounting with flanges : ISO PN10/16 from DN40 to DN150 and PN16 from DN200 to DN300 in accordance with the standards EN1092-2, BS450,AISI B16.1-5.
Tests	Pressure test according to standards EN12266-1, DIN 3230, BS 5154 and ISO 5208: -Body : 1.5 x WP (bar) -Seat : 1.1 x WP (bar)

PRODUCT APPROVALS



Tecofi France

83 rue Marcel Mérieux - 69960 Corbas
Tél. +33 (0)4 72 79 05 79 - Fax. +33 (0)4 78 90 19 19
E-mail : sales@tecofi.fr - www.tecofi.fr

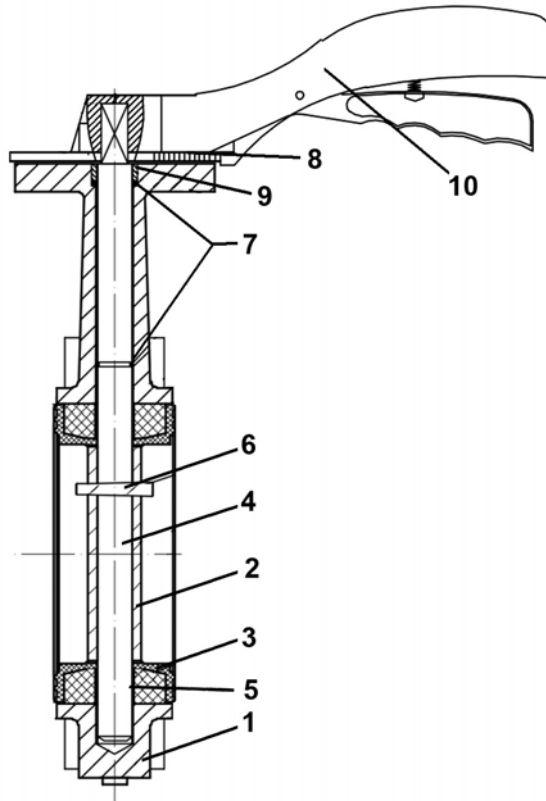


BUTTERFLY VALVE WITH HANDLE

TECHNICAL PASSPORT

VPG 4649-02

CONSTRUCTION



Oven backed epoxy coated body RAL 5015 thickness 150μ

Pos.	Q-ty	Description	Material	Equivalences		
				DIN	ASTM	BS
1	1	Body	Ductile iron EN-GJS-400	GGG40	A536 65-45-12	EN-JS1030
2	1	Disc	Stainless steel 316			
3	1	Sleeve	EPDM CHALEUR			
4	1	Stem	Stainless steel 420			
5	2	Bushing	PTFE			
6	1	Pin	Stainless steel 410	X12Cr13		
7	1	O ring	EPDM			
8	1	Plate	XC20	X12Cr13		
9	2	Bushing	PTFE			
10	1	Handle	Ductile iron			

Tecofi France

83 rue Marcel Mérieux - 69960 Corbas
 Tél. +33 (0)4 72 79 05 79 - Fax. +33 (0)4 78 90 19 19
 E-mail : sales@tecofi.fr - www.tecofi.fr

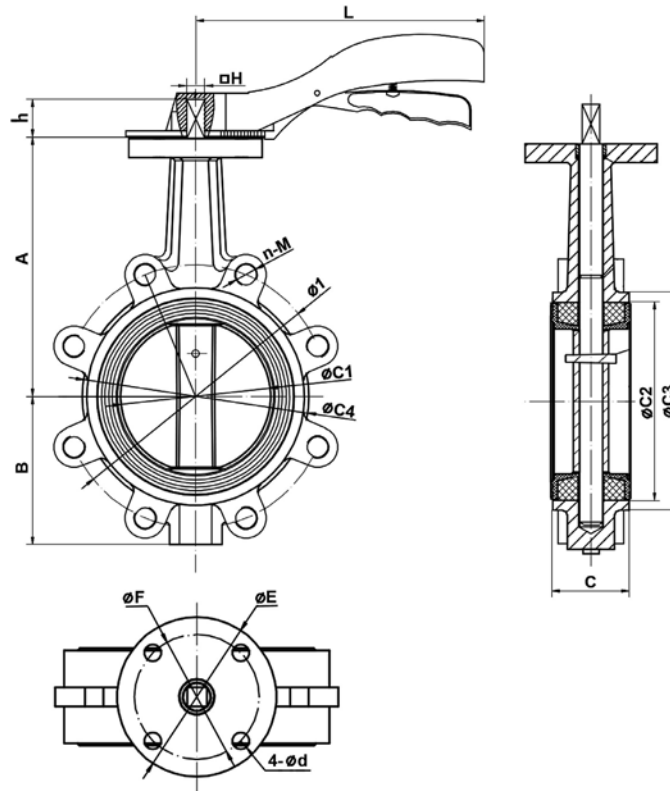


BUTTERFLY VALVE WITH HANDLE

TECHNICAL PASSPORT

VPG 4649-02

DIMENSIONS



DN		A	B	C	C1	C2	C3	C4	Ø1	N-M	ØF	ØE	n-Ø	L	H	Maneuvering torque, Nm	Weight (kg)
mm	inch																
40	1"1/2	120	58	33	41	71	81	88	110	4-M16	50	65	4-Ø7	170	9	12	2.7
50	2"	140	58	42	51	75	87	93	125	4-M16	50	65	4-Ø7	170	9	16	3.05
65	2"1/2	150	68	45	63	92	104	110	145	4-M16	50	65	4-Ø7	170	9	18	3.5
80	3"	158	81	45	77	105	118	123	160	8-M16	50	65	4-Ø7	170	9	25	4.6
100	4"	176	94	52	103	134	149	156	180	8-M16	50	65	4-Ø7	170	11	42	6.6
125	5"	190	109	56	122	158	176	183	210	8-M16	70	90	4-Ø10	215	14	65	8.5
150	6"	211	130	56	155	187	205	211	240	8-M20	70	90	4-Ø10	215	14	110	10.4
200	8"	235	156	60	201	236	257	264	295	12-M20	102	125	4-Ø12	352	17	200	17.2
250	10"	267	190	68	249	291	319	329	355	12-M24	102	125	4-Ø12	352	22	330	28.2
300	12"	305	225	78	300	342	374	385	410	12-M24	102	125	4-Ø12	440	22	500	44

WORKING CONDITIONS

Maximum working pressure : 16 bar
 Maximum vacuum pressure : 0.8 bar for 10 minutes
 Maximum working temperature : -15°C / +130°C
 Peak temperature : -30°C / +150°C

Tecofi France

83 rue Marcel Mérieux - 69960 Corbas
 Tél. +33 (0)4 72 79 05 79 - Fax. +33 (0)4 78 90 19 19
 E-mail : sales@tecofi.fr - www.tecofi.fr

