

BUTTERFLY VALVE WITH HANDLE

TECHNICAL PASSPORT

BUTTERFLY VALVE - DUCTILE IRON BODY WITH HANDLE - LUGGED

VPG 4648-02

APPLICATION

VPG butterfly valves are intended for ON/OFF or control use in fluid transfer circuits.

- **Area of use:** HVAC.



- **Fluids :** cold water, hot water, wastewater, liquid discharges, etc.
«Not suitable for steam application»

GENERAL CHARACTERISTICS

Range : from DN40 to DN300.

- Design according to NF EN 593.
- Type with threaded lugs
- Sealing in both directions of circulation of the piping.
- Soft sleeve guaranteeing a perfect tightness.
- Extended neck compatible with pipe lapping
- Disc profiled and reduced in thickness
- Reduced maneuvering torque.
- Coupling stem on disc assembled by conical pin.
- Reduced head losses.
- Notched sector providing 10 positions of adjustment of the handle.
- ISO 5211 mounting plate.



STANDARDS

Design	Manufacture according to the requirements of the European directive 2014/68/UE «Equipment under pressure»: modulate H.
Face to face	Face to face according to standards NF EN 558-1 série 20, ISO 5272 série 20, DIN 3202.
Connection	Mounting with flanges : ISO PN10/16 from DN40 to DN150 and PN16 from DN200 to DN300 in accordance with the standards EN1092-2, BS450,AISI B16.1-5.
Tests	Pressure test according to standards EN12266-1, DIN 3230, BS 5154 and ISO 5208: -Body : 1.5 x WP bar -Seat : 1.1 x WP bar

PRODUCT APPROVALS



Tecofi France

83 rue Marcel Mérieux - 69960 Corbas
Tél. +33 (0)4 72 79 05 79 - Fax. +33 (0)4 78 90 19 19
E-mail : sales@tecofi.fr - www.tecofi.fr

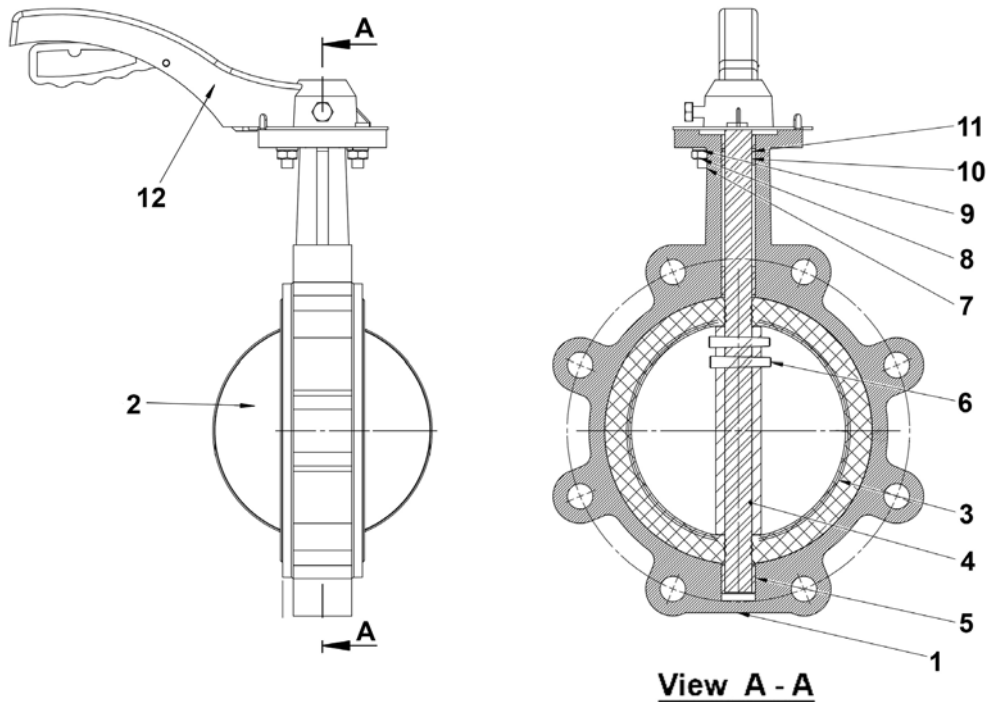


BUTTERFLY VALVE WITH HANDLE

TECHNICAL PASSPORT

VPG 4648-02

CONSTRUCTION



Oven backed epoxy coated body RAL 5015 thickness 150μ

Pos.	Q-ty	Description	Material	Equivalences		
				DIN	ASTM	BS
1	1	Body	Ductile iron EN-GJS-400	GGG40	A536 65-45-12	EN-JS1030
2	1	Disc	Ductile iron EN-GJS-400 + Nickel	GGG40	A536 65-45-12	EN-JS1030
3	1	Sleeve	Heat EPDM			
4	1	Stem	Stainless steel 420	X20Cr13		
5	2	Bushing	PTFE			
6	2	Pin	Stainless steel 420	X20Cr13		
7	2	Screw	Stainless steel 201			
8	2	Nut	Stainless steel 201			
9	2	Washer	Stainless steel 201			
10	2	Bushing	PTFE			
11	1	O ring	EPDM			
12	1	Handle	Aluminium (DN40-150) Ductile iron (DN200-300)			

Tecofi France

83 rue Marcel Mérieux - 69960 Corbas
Tél. +33 (0)4 72 79 05 79 - Fax. +33 (0)4 78 90 19 19
E-mail : sales@tecofi.fr - www.tecofi.fr

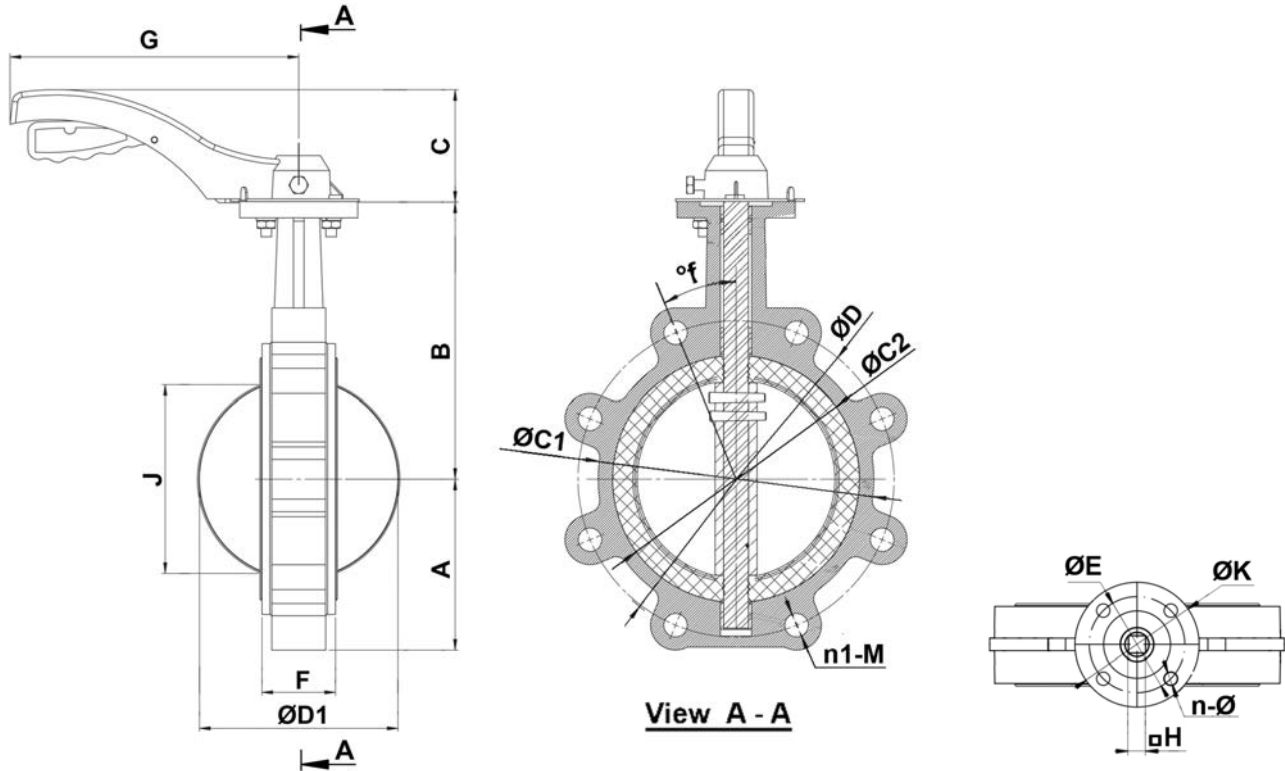


BUTTERFLY VALVE WITH HANDLE

TECHNICAL PASSPORT

VPG 4648-02

DIMENSIONS



DN		A	B	C	ØC1	ØC2	ØD	ØD1	n1-M	F	G	ØE	ØK	n-Ø	f°	H	Torque (Nm)	Weight (kg)
mm	inch																	
40	1 1/2	60	102	75	88	71	110	43	4-M16	33	175	50	65	4-Ø7	45°	9	12	2.7
50	2"	60	128	78	93	75	125	53	4-M16	43	175	50	65	4-Ø7	45°	9	16	3.05
65	2 1/2	72	140	78	110	92	145	65	4-M16	45	175	50	65	4-Ø7	45°	9	18	3.5
80	3"	89	146	78	123	105	160	79	8-M16	46	175	50	65	4-Ø7	45°	9	25	4.6
100	4"	100	165	78	156	134	180	105	8-M16	52	175	50	65	4-Ø7	22.5°	11	42	6.6
125	5"	116	175	98	183	158	210	124	8-M16	54.4	220	70	90	4-Ø10	22.5°	14	65	8.5
150	6"	131	199	99	211	187	240	155	8-M20	56	220	70	90	4-Ø10	22.5°	14	110	10.4
200	8"	162	220	93	264	236	295	203	12-M20	60	353	102	125	4-Ø12	15°	17	200	17.2
250	10"	195	251	93	329	291	355	251	12-M24	66	353	102	125	4-Ø12	15°	22	330	28.2
300	12"	228	288	109	385	342	410	302	12-M24	77	502	102	125	4-Ø12	15°	22	500	44

WORKING CONDITIONS

Maximum working pressure : 16 bar
 Maximum vacuum pressure : 0.8 bar for 10 minutes
 Maximum working temperature : -15°C / +130°C
 Peak temperature : -30°C / +150°C

Tecofi France

83 rue Marcel Mérieux - 69960 Corbas
 Tél. +33 (0)4 72 79 05 79 - Fax. +33 (0)4 78 90 19 19
 E-mail : sales@tecofi.fr - www.tecofi.fr

