

## BUTTERFLY VALVE WITH HANDLE

TECHNICAL PASSPORT

### BUTTERFLY VALVE - DUCTILE IRON BODY WITH HANDLE - LUGGED TYPE PN10/16

VPE 4649-02

#### APPLICATION

VPE butterfly valves are intended for ON/OFF or control use in fluid transfer circuits.

- **Area of use:** water treatment, pumping, irrigation.



- **Fluids :** cold water, hot water, waste water, liquid discharges, etc.  
«Not suitable for steam application»

#### GENERAL CHARACTERISTICS

**Range :** from DN40 to DN300.

Design according to NF EN 593.

Type with threaded lugs allowing screw assembling, insuring sealing in both directions of circulation of the piping. Soft sleeve guaranteeing a perfect tightness. Extended neck compatible with pipe lapping

Epoxy coated body (RAL 5015 thickness 150 microns).

Nickel plated ductile iron disc profiled and reduced in thickness ensuring a reduced maneuvering torque. Coupling stem on disc assembled by conical pin. Excellent flow capacity.

Notched sector providing 10 positions of adjustment of the handle.

ISO 5211 mounting plate.



#### STANDARDS

<b>Design</b>	Manufacture according to the requirements of the European directive 2014/68/UE «Equipment under pressure»: modulate H.
<b>Face to face</b>	Face to face according to standards NF EN 558-1 serie 20, ISO 5272 serie 20, DIN 3202.
<b>Connection</b>	Mounting with flanges : ISO PN10/16 from DN40 to DN150 and PN10 from DN200 to DN300 in accordance with the standards EN1092-2, BS450,AISI B16.1-5.
<b>Tests</b>	Pressure test according to standards EN12266-1, DIN 3230 and ISO 5208: -Body : 1.5 x WP (bar) -Seat : 1.1 x WP (bar)

#### PRODUCT APPROVALS



#### Tecofi France

83 rue Marcel Mérieux - 69960 Corbas  
Tél. +33 (0)4 72 79 05 79 - Fax. +33 (0)4 78 90 19 19  
E-mail : sales@tecofi.fr - [www.tecofi.fr](http://www.tecofi.fr)

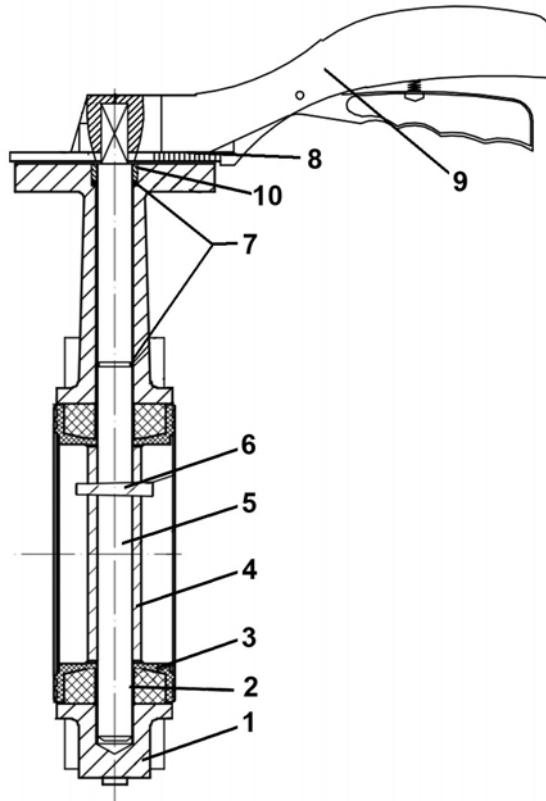


# BUTTERFLY VALVE WITH HANDLE

TECHNICAL PASSPORT

VPE 4649-02

## CONSTRUCTION



Pos.	Q-ty	Description	Material	Equivalences		
				DIN	ASTM	BS
1	1	Body	Ductile iron EN-GJS-400	GGG40	A536 65-45-12	EN-JS1030
2	2	Bushing	PTFE			
3	1	Sleeve	EPDM CHALEUR			
4	1	Disc	Stainless steel 316			
5		Stem	Stainless steel 420			
6	1	Pin	Stainless steel 410	X12Cr13		
7	1	O ring	EPDM			
8	1	Plate	XC20	X12Cr13		
9	1	Handle	Aluminium (DN40-150) Ductile iron (DN200-300)			
10	2	Bushing	PTFE			

The photographs and technical art works are not contractual. The specifications of the presented products are open to modifications without previous advice.

**Tecofi France**

83 rue Marcel Mérieux - 69960 Corbas  
Tél. +33 (0)4 72 79 05 79 - Fax. +33 (0)4 78 90 19 19  
E-mail : sales@tecofi.fr - [www.tecofi.fr](http://www.tecofi.fr)

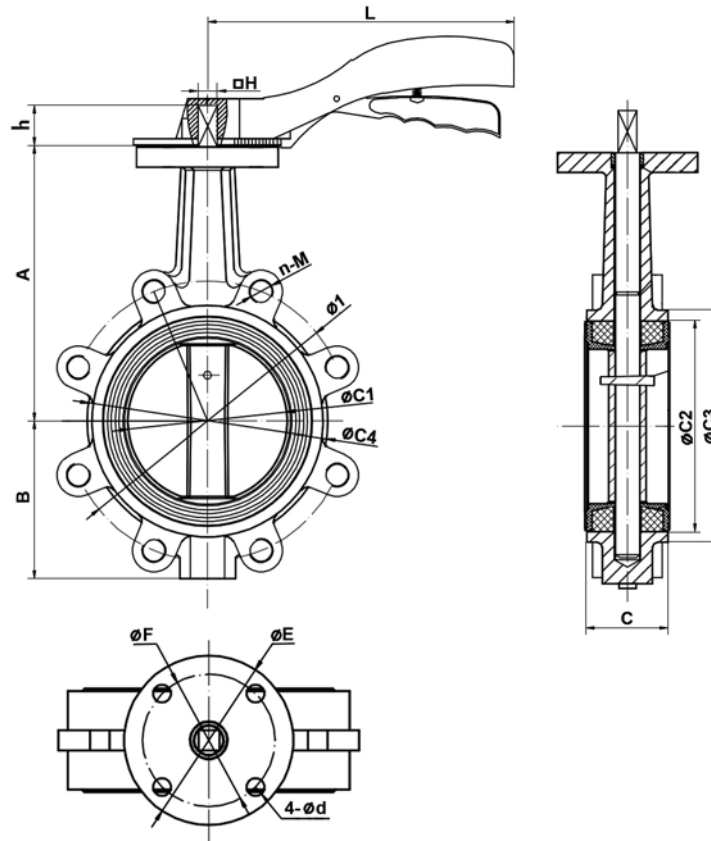


## BUTTERFLY VALVE WITH HANDLE

### TECHNICAL PASSPORT

VPE 4649-02

#### DIMENSIONS



DN		A	B	C	C1	C2	C3	C4	Ø1	N-M	ØF	ØE	n-Ø	L	H	Maneuvering torque, Nm	Weight (kg)
mm	inch																
40	1 1/2	120	58	33	41	71	81	88	110	4-M16	50	65	4-Ø7	170	9	12	2.7
50	2	140	58	42	51	75	87	93	125	4-M16	50	65	4-Ø7	170	9	16	3.05
65	2 1/2	150	68	45	63	92	104	110	145	4-M16	50	65	4-Ø7	170	9	18	3.5
80	3	158	81	45	77	105	118	123	160	8-M16	50	65	4-Ø7	170	9	25	4.6
100	4	176	94	52	103	134	149	156	180	8-M16	50	65	4-Ø7	170	11	42	6.6
125	5	190	109	56	122	158	176	183	210	8-M16	70	90	4-Ø10	215	14	65	8.5
150	6	211	130	56	155	187	205	211	240	8-M20	70	90	4-Ø10	215	14	110	10.4
200	8	235	156	60	201	236	257	264	295	8-M20	102	125	4-Ø12	352	17	200	17.2
250	10	267	190	68	249	291	319	329	350	12-M20	102	125	4-Ø12	352	22	330	28.2
300	12	305	225	78	300	342	374	385	400	12-M20	102	125	4-Ø12	440	22	500	44

#### WORKING CONDITIONS

Maximum working pressure : 16 bar from DN40 to DN150  
10 bar from DN200 to DN300

Maximum working temperature : -15°C / +130°C  
Peak temperature : -30°C / +150°C

**Tecofi France**

83 rue Marcel Mérieux - 69960 Corbas  
Tél. +33 (0)4 72 79 05 79 - Fax. +33 (0)4 78 90 19 19  
E-mail : sales@tecofi.fr - [www.tecofi.fr](http://www.tecofi.fr)

