

Ref. : VPE 4548-08.pas

Rev. : A

Date : 12/03/2018

Page : 1/1

DOUBLE FLANGE TYPE BUTTERFLY VALVE TECLARGE FL WITH GEAR BOX

VPE 4548-08



APPLICATION

General use : water, sludge, etc.

GENERAL CHARACTERISTICS

Design in accordance with NF EN 593.
Tightness in both ways.
Sleeve internally reinforced in aluminium giving a low torque.
Self lubricant bearing in copper alloy.

CONSTRUCTION

11	1	Handwheel	Ductile iron
10	1	Gear box	Ductile iron
9	1	Cover	Ductile iron
8		Bushing	Copper alloy
7	1	O ring	NBR
6		Bushing	Copper alloy
5	1	Sleeve	Heat EPDM
4		Pin	Stainless steel 410
3	1	Disc	Ductile iron EN-GJS400-15
2		Stem	Stainless steel 410
1	1	Body	Ductile iron EN-GJS400-15
Pos.	Q-ty	Description	Material

WORKING CONDITIONS

Maximum working pressure : 16 bar.
Maximum working temperature : -15 °C / +130 °C.
Peak temperature : -30°C / + 150°C

STANDARDS

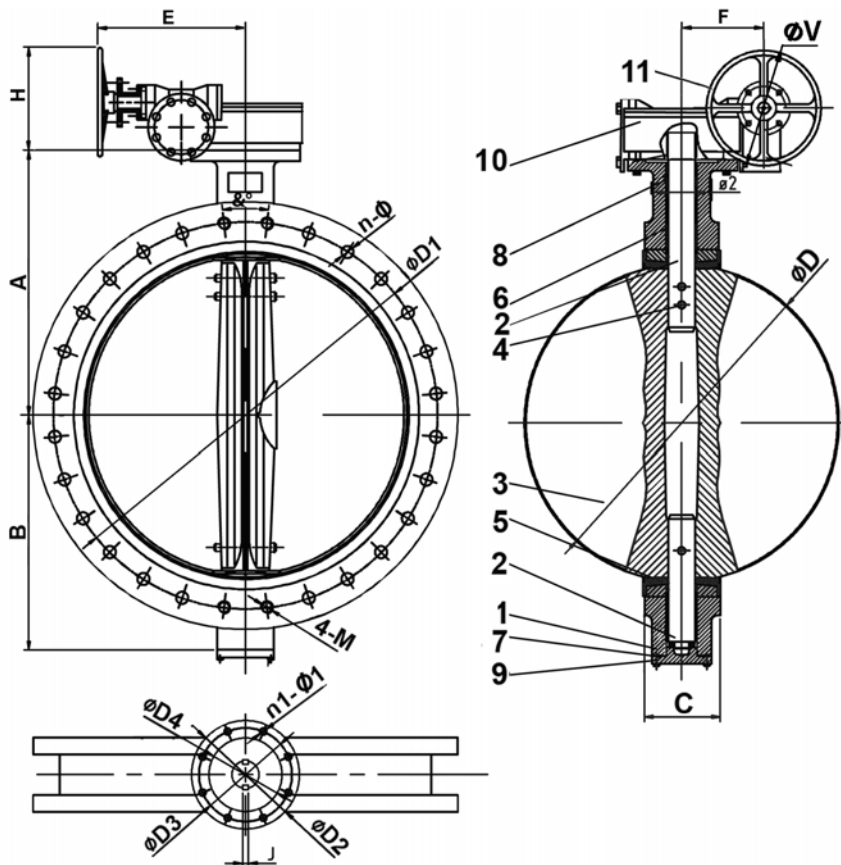
Manufacture according to the requirements of the European directive 2014/68/UE
«Equipments under pressure» : modulate H.
Pressure test according to standards EN 12266-1, DIN 3230, BS 5154 and ISO 5208 :

Body : 24 bar.
Seat : 17.6 bar.

Face to face according to standard EN 558-1 serie 20, ISO 5752 serie 20 and DIN 3202.
Flange type ISO PN16 connections according to standard EN 1092-2.

DIMENSIONS

DN		A	B	C	ØD	Ø2	ISO	ØD2	ØD3	ØD4	n1-Ø1	ØD1	n-Ø	4-M	&°	J	E	F	H	ØV	Weight (kg)
mm	inch																				
350	14"	368	275	76,5	333,5	31,6	F14	175	140	100	4-18	470	16-28	-	22,5	8	344	170	267,5	300	90
400	16"	398	300	102	389,6	37,9	F14	175	140	100	4-18	525	16-31	-	22,5	10	344	170	367,5	300	124
450	18"	428	328	114	440,5	37,9	F14	175	140	100	4-18	585	20-31	-	18	10	344	170	267,5	300	150
500	20"	485	351	127	491,6	45,7	F14	175	140	100	4-18	650	20-34	-	18	14	344	170	267,5	300	156
600	24"	568	440	151	592,5	50,6	F16	210	165	130	4-22	770	20-37	-	18	16	380	250	277,5	300	287
700	28"	628	508	163	695	63,4	F25	300	254	200	8-18	840	20-37	4-M33	15	18	430	300	357,5	450	453
800	32"	672	530	188	794,7	63,4	F25	300	254	200	8-18	950	20-41	4-M36	15	18	430	300	357,5	450	567
900	36"	721	630	203	864,7	75	F25	300	254	200	8-18	1050	24-41	4-M36	12,85	20	547	320	362,5	450	767
1000	40"	802	692	216	965	85	F25	300	254	200	8-18	1170	24-44	4-M39	12,85	22	547	320	387,5	450	992
1200	48"	948	844	276	1160,6	105	F30	350	298	230	8-22	1390	28-50	4-M45	11,25	28	684	320	402,5	450	1376



TECOFI France - 83, Rue Marcel Mérieux 69960 Corbas - FRANCE
Tél. +33 (0) 4 72 79 05 79 - Fax +33 (0) 4 78 90 19 19 / +33 (0) 4 72 79 05 70
Adresses e-mail : sales@tecofi.fr ; tecofi@tecofi.fr / Site web : www.tecofi.fr