

FLANGED TYPE BUTTERFLY VALVE TECLARGE FL

TECHNICAL PASSPORT

**FLANGED PN10 BUTTERFLY VALVE
DUCTILE IRON BODY - WITH MANUAL GEAR BOX**

VPE 4508-08

APPLICATION

VPE butterfly valves are intended for use in ON/OFF or control application in fluid transfer circuits.

Area of use: water treatment, pumping, irrigation.



Fluids: cold water, hot water, wastewater, demineralised water, liquid discharges, compressed air, alkalis, sodium hydroxide, etc.

GENERAL CHARACTERISTICS

Range : from DN 350 to DN1200.
Soft sleeve guaranteeing waterproofing in both directions.
Disc profiled and reduced in thickness ensuring a low maneuvering torque. Large flow capacity.
Standard ISO 5211 mounting plate.
Gear box with outlet mounting plate ISO 5210 allowing the installation of multiturn electric actuators.



STANDARDS

Design	Design in accordance with NF EN 593. Manufacture according to the requirements of the European directive n° 2014/68/UE «Equipment under pressure» : modulate H.
Face to face	Face to face dimensions according to NF EN 558 serie 20, ISO 5272 serie 20, DIN 3202.
Connection	Flange connection ISO PN10 according to EN1092-2.
Tests	Pressure test according to standards EN12266-1, DIN 3230, BS 5154 and ISO 5208. -Body : 15 bar -Seat : 11 bar

PRODUCT APPROVALS

CE EAC **ACS** Attestation ACS n° 18 ACC LY 383 **Ex** On request

Tecofi France

83 rue Marcel Mérieux - 69960 Corbas
Tél. +33 (0)4 72 79 05 79 - Fax. +33 (0)4 78 90 19 19
E-mail : sales@tecofi.fr - www.tecofi.fr

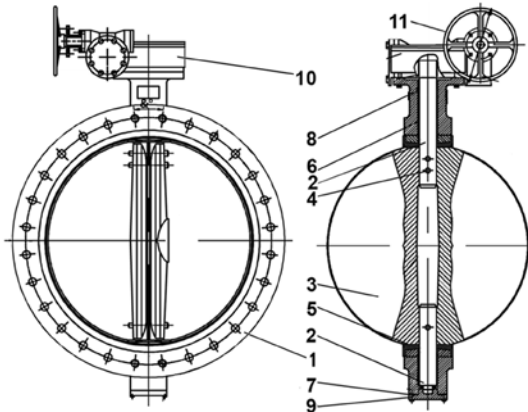


FLANGED TYPE BUTTERFLY VALVE TECLARGE FL

TECHNICAL PASSPORT

VPE 4508-08

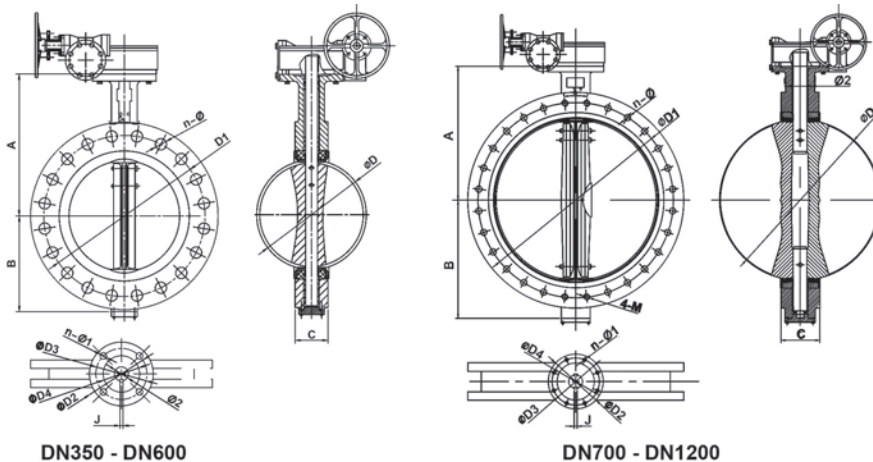
CONSTRUCTION



Component	Coating
Body (1)	Epoxy powder RAL5019 250 µm

Pos.	Q-ty	Description	Material	Equivalences		
				DIN	ASTM	BS
1	1	Body	Ductile iron EN-GJS-400	GGG40	A536 65-45-12	EN-JS1030
2	2	Shaft	Stainless steel 410			
3	1	Disc	Ductile iron EN-GJS-400	GGG40	A536 65-45-12	EN-JS1030
4	1	Pin	Stainless steel 410			
5	1	Sleeve	EPDM CH			
6	1	Bushing	Alliage cuivreux			
7	1	O ring	NBR			
8	1	Bushing	Copper alloy			
9	1	Cover	Ductile iron EN-GJS-400	GGG40	A536 65-45-12	EN-JS1030
10	1	Gear box	Ductile iron			
11	1	Handwheel	Ductile iron			

DIMENSIONS



DN350 - DN600

DN700 - DN1200

DN		A	B	C	ØD	Ø2	ISO	ØD2	ØD3	ØD4	n1-Ø1	ØD1	N-Ø	4-M	&°	J	E	F	ØH	ØV	Weight (kg)
mm	inch																				
350	14"	368	267	76.5	333.5	31.6	F14	175	140	100	4-18	460	16-23	-	22.5	8	344	170	268	300	90
400	16"	400	309	102	389.6	37.9	F14	175	140	100	4-18	515	16-28	-	22.5	10	344	170	268	300	124
450	18"	422	340	114	440.5	37.9	F14	175	140	100	4-18	565	20-28	-	18	10	344	170	268	300	150
500	20"	442	365	127	491.6	45.7	F14	175	140	100	4-18	620	20-28	-	18	14	344	170	268	300	156
600	24"	562	459	151	592.5	50.6	F16	210	165	130	4-22	725	20-31	-	18	16	380	250	278	300	287
700	28"	624	520	163	695	63.3	F25	300	254	200	8-18	840	20-31	4-M27	15	18	430	300	358	450	453
800	32"	672	591	188	794.7	63.3	F25	300	254	200	8-18	950	20-34	4-M30	15	18	430	300	358	450	567
900	36"	720	656	203	864.7	75	F25	300	254	200	8-18	1050	24-34	4-M30	12.85	20	547	320	363	450	767
1000	40"	800	722	216	965	85	F25	300	254	200	8-18	1160	24-37	4-M33	12.85	22	547	320	388	450	992
1200	48"	941	864	276	1160.6	105	F30	350	298	230	8-22	1380	28-41	4-M36	11.25	28	684	320	403	450	1376

Tecofi France

83 rue Marcel Mérioux - 69960 Corbas

Tél. +33 (0)4 72 79 05 79 - Fax. +33 (0)4 78 90 19 19

E-mail : sales@tecofi.fr - www.tecofi.fr



FLANGED TYPE BUTTERFLY VALVE TECLARGE FL

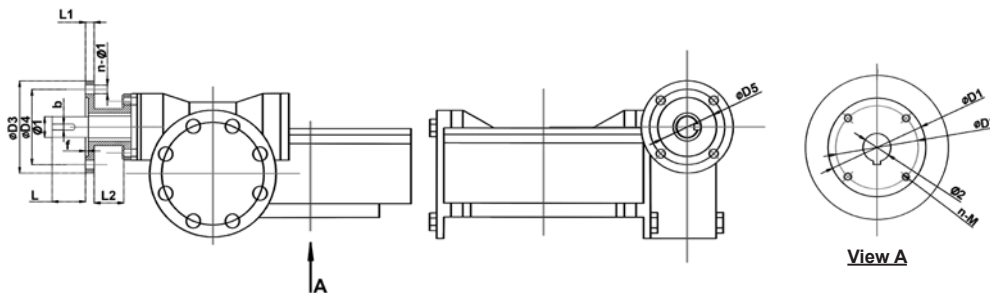
TECHNICAL PASSPORT

VPE 4508-08

WORKING CONDITIONS

Maximum working pressure : 10 bar
Maximum working temperature : -15°C / +130°C
Peak temperature : -30°C / +150°C

GEAR BOX DIMENSIONS



DN		D1	D2	D3	D4	D5	f	Ø1	Ø2	n-M	ISO plate		n-Ø	b	L	Number of turns	Torque Nm
mm	inch										5211	5210					
350	14"	175	140	125	102	70	3	20	31.6	4-M16	F14	F10	4-Ø12	6	30	133	7
400	16"	175	140	125	102	70	3	20	37.9	4-M16	F14	F10	4-Ø12	6	30	133	11
450	18"	175	140	125	102	70	3	20	37.9	4-M16	F14	F10	4-Ø12	6	30	133	15
500	20"	175	140	125	102	70	3	20	45.7	4-M16	F14	F10	4-Ø12	6	30	133	20
600	24"	210	165	125	102	70	3	20	50.6	4-M20	F16	F10	4-Ø12	6	30	160	29
700	28"	300	254	125	102	70	3	20	63.4	8-M16	F25	F10	4-Ø12	6	45	176	46
800	32"	300	254	175	140	100	4	30	63.4	8-M16	F25	F10	4-Ø12	8	45	176	69
900	36"	300	254	175	140	100	4	30	75	8-M16	F25	F10	4-Ø12	8	45	212	71
1000	40"	300	254	175	140	100	4	30	85	8-M16	F25	F14	4-Ø20	8	45	212	91
1200	48"	350	298	175	140	100	4	30	105	8-M20	F30	F14	4-Ø20	8	45	268	123

FLOW FACTORS (KV)

DN		Kv values								
mm	inch	10°	20°	30°	40°	50°	60°	70°	80°	90°
350	14"	6	338	715	1549	2761	4568	7230	10844	11917
400	16"	8	464	983	2130	3797	6282	9942	14913	16388
450	18"	11	615	1302	2822	5028	8320	13168	19752	21705
500	20"	14	971	1674	3628	6465	10698	16931	25396	27908
600	24"	22	1222	2587	5605	9989	16528	26157	39236	43116
700	28"	30	1633	3522	7630	12599	20236	30482	46899	58696
800	32"	45	2387	4791	8736	13786	20613	31395	48117	68250
900	36"	60	3021	6063	11055	17449	26086	39731	60895	86375
1000	40"	84	4183	8395	15307	24159	36166	55084	84425	119750
1200	48"	102	4651	10365	17010	27242	43853	70431	108968	132888

Kv = water volume in m³/h passing through the valve at a given throttle opening under a pressure drop of 1 bar.

Tecofi France

83 rue Marcel Mérioux - 69960 Corbas
Tél. +33 (0)4 72 79 05 79 - Fax. +33 (0)4 78 90 19 19
E-mail : sales@tecofi.fr - www.tecofi.fr

