

## BUTTERFLY VALVE WITH HANDLE

TECHNICAL PASSPORT

### BUTTERFLY VALVE - DUCTILE IRON BODY WITH HANDLE - BETWEEN FLANGES PN10/16

VPE 4449-02

#### APPLICATION

VPE butterfly valves are intended for ON/OFF or control use in fluid transfer circuits.

- **Area of use:** water treatment, pumping, irrigation.



- **Fluids :** cold water, hot water, waste water, liquid discharges, etc.  
«Not suitable for steam application»

#### GENERAL CHARACTERISTICS

**Range :** from DN40 to DN300.

Design according to NF EN 593.

Type with smooth ears enabling use on bottom line, insuring sealing in both directions of circulation of the piping.

Soft sleeve guaranteeing a perfect tightness. Extended neck compatible with pipe lapping. Epoxy coated body (RAL 5015 thickness 150 microns).

Stainless steel disc profiled and reduced in thickness ensuring a reduced maneuvering torque. Coupling stem on disc assembled by conical pin.

Excellent flow capacity. Notched sector providing 10 positions of adjustment of the handle. ISO 5211 mounting plate allowing the installation of various types of actuators. Mounting between ISO PN10/16 flanges.



#### STANDARDS

<b>Design</b>	Manufacture according to the requirements of the European directive 2014/68/UE «Equipment under pressure»: modulate H.
<b>Face to face</b>	Face to face according to standards NF EN 558-1 serie 20, ISO 5272 serie 20, DIN 3202.
<b>Connection</b>	Mounting between flanges ISO PN10/16 according to EN1092-2, BS450,AISI B16.1-5. Adjustable between flanges ASME B16.5 Classe 150 and JIS 10K. GOST PN10/16.
<b>Tests</b>	Pressure test according to standards EN12266-1, DIN 3230 and ISO 5208: -Body : 24 bar -Seat : 17.6 bar

#### PRODUCT APPROVALS



**Tecofi France**

83 rue Marcel Mérieux - 69960 Corbas  
Tél. +33 (0)4 72 79 05 79 - Fax. +33 (0)4 78 90 19 19  
E-mail : sales@tecofi.fr - [www.tecofi.fr](http://www.tecofi.fr)

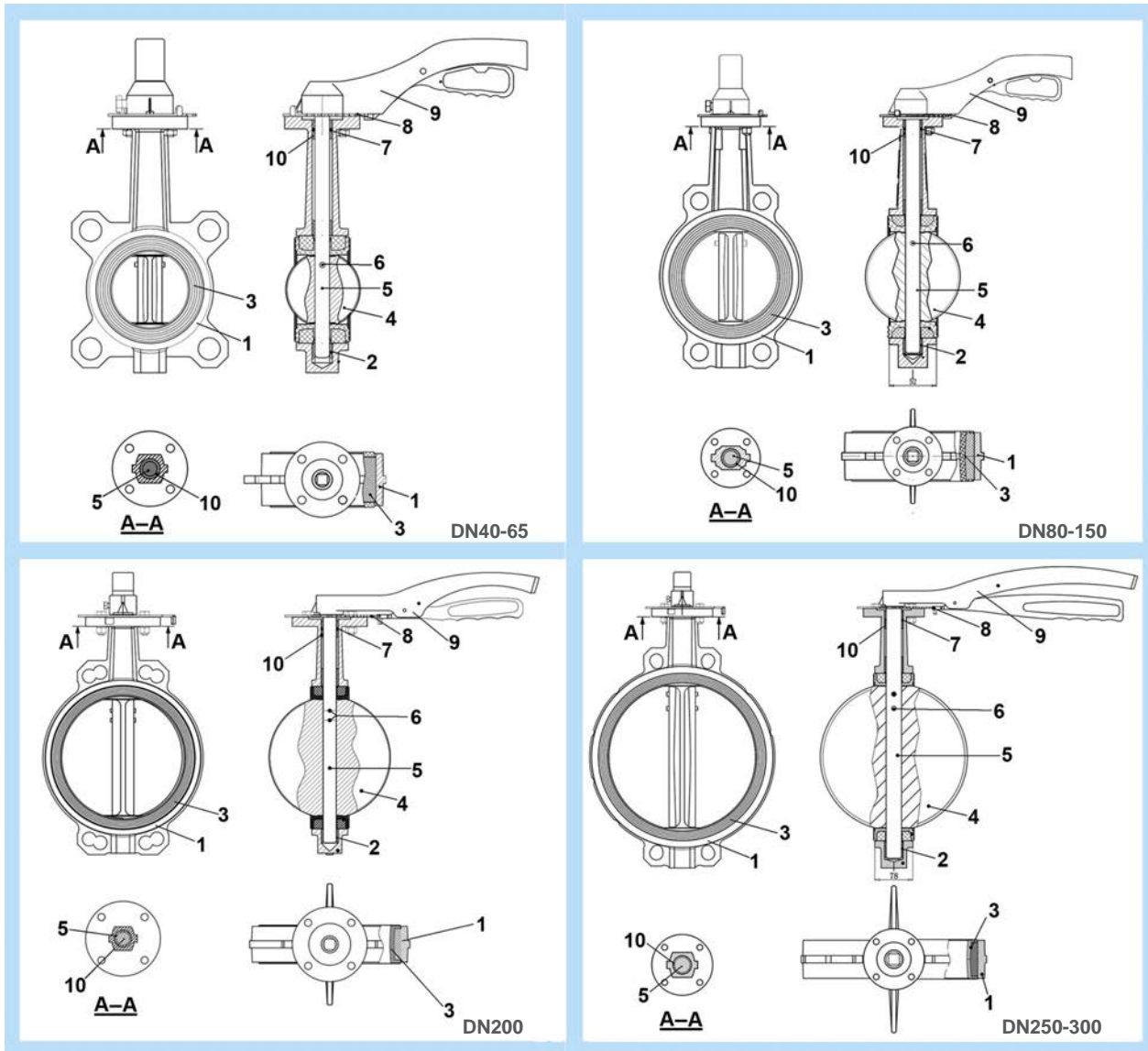


## BUTTERFLY VALVE WITH HANDLE

TECHNICAL PASSPORT

VPE 4449-02

### CONSTRUCTION



Pos.	Q-ty	Description	Material	Equivalences		
				DIN	ASTM	BS
1	1	Body	Ductile iron EN-GJS-400	GGG40	A536 65-45-12	EN-JS1030
2	2	Bushing	PTFE			
3	1	Sleeve	EPDM CHALEUR			
4	1	Disc	Stainless steel 316			
5		Stem	Stainless steel 420			
6	1	Pin	Stainless steel 410	X12Cr13		
7	1	O ring	EPDM			
8	1	Plate	XC20	X12Cr13		
9	1	Handle	Aluminium (DN40-150) Ductile iron (DN200-300)			
10	2	Bushing	PTFE			

**Tecofi France**

83 rue Marcel Mérieux - 69960 Corbas  
Tél. +33 (0)4 72 79 05 79 - Fax. +33 (0)4 78 90 19 19  
E-mail : sales@tecofi.fr - [www.tecofi.fr](http://www.tecofi.fr)

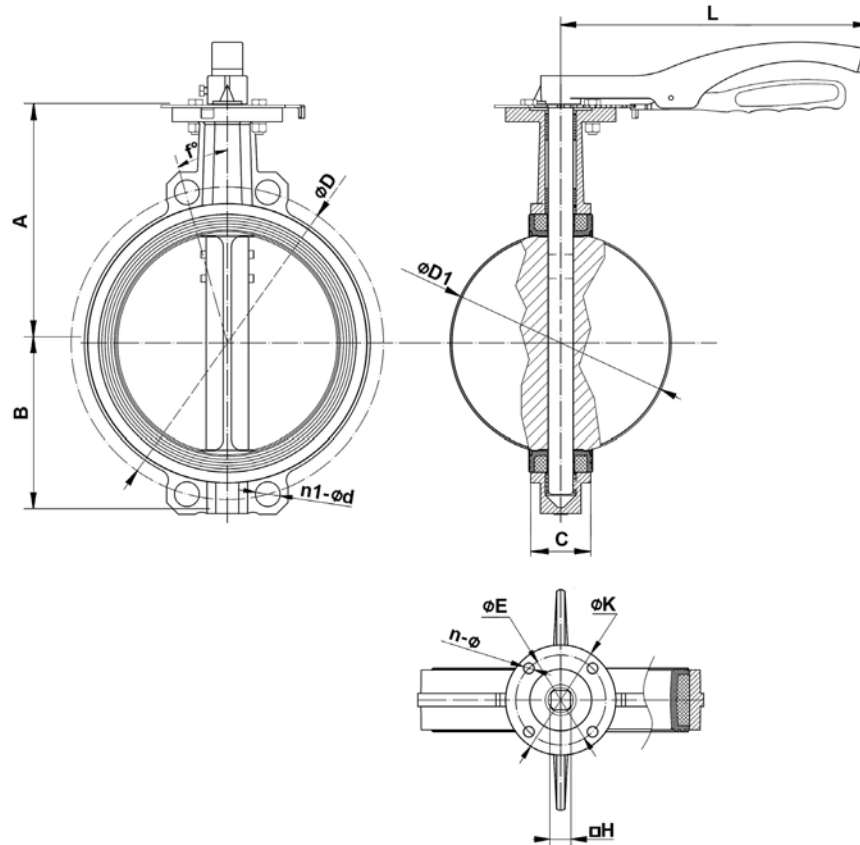


## BUTTERFLY VALVE WITH HANDLE

TECHNICAL PASSPORT

VPE 4449-02

### DIMENSIONS



DN		A	B	C	ØD	ØD1	n1-Ød	f°	ØE	ØK	n-Ø	L	H	Maneuvering torque, Nm	Weight (kg)
mm	inch														
40	1"1/2	120	60	33	110	41	4-Ø19	45°	50	65	4-Ø7	170	9	12	1.6
50	2"	140	60	43	125	52.6	4-Ø19	45°	50	65	4-Ø7	170	9	16	2.1
65	2"1/2	150	72	45	145	64.3	4-Ø19	45°	50	65	4-Ø7	170	9	18	2.5
80	3"	158	81	X	160	78.9	4-Ø19	45°	50	65	4-Ø7	170	9	25	3
100	4"	176	100	52	180	104.1	4-Ø19	22.5°	50	65	4-Ø7	170	11	42	4.7
125	5"	190	109	56	210	122	4-Ø20	22.5°	70	90	4-Ø10	215	14	65	6
150	6"	211	125	56	240	156.4	4-Ø23	22.5°	70	90	4-Ø10	215	14	110	7.3
200	8"	235	160	60	295	202.6	4-Ø23	15°/22.5°	102	125	4-Ø12	350	17	200	12.9
250	10"	267	193	68	350/355	250.6	4-Ø28	15°	102	125	4-Ø12	350	22	330	19
300	12"	305	228	78	400/410	301.6	-	15°	102	125	4-Ø12	500	22	500	30

The smooth holes are oblong on the DN40, DN200 et DN300 (Radius 12 mm et 13.5 mm)

### WORKING CONDITIONS

Maximum working pressure : 16 bar  
 Maximum working temperature : -15°C / +130°C  
 Peak temperature : -30°C / +150°C

**Tecofi France**

83 rue Marcel Mérieux - 69960 Corbas  
 Tél. +33 (0)4 72 79 05 79 - Fax. +33 (0)4 78 90 19 19  
 E-mail : sales@tecofi.fr - [www.tecofi.fr](http://www.tecofi.fr)

