

Ref. : VPB 4648-02.pas

Rev. : C

Date : 11/03/2013

Page : 1/1

# BUTTERFLY VALVE WITH HANDLE

## VPB 4648-02



**Tecofi'**  
VALVE DESIGNER - FRANCE

### APPLICATION

General use : heating, ventilation and air-conditioning.

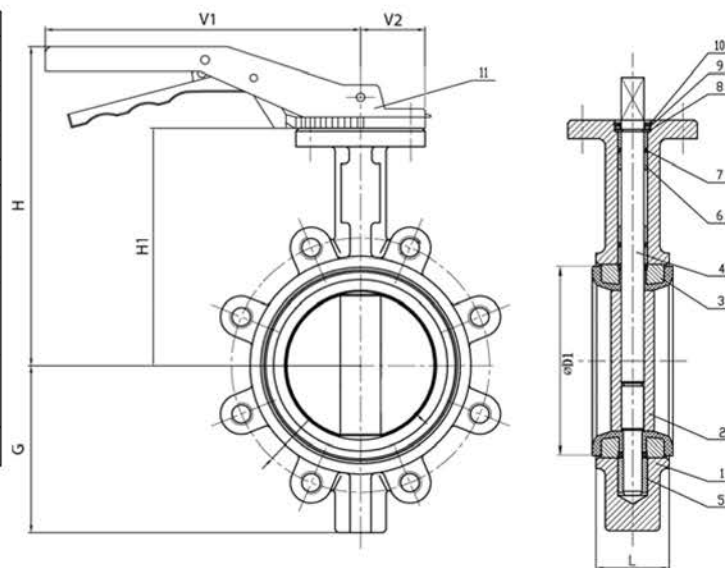
### GENERAL CHARACTERISTICS

Design in accordance with NF EN 593.  
Type with threaded lugs allowing screw assembling.  
Tightness in both ways according to NF EN 12266-2.  
Stainless steel stem.  
Internally reinforced resin sleeve giving a lower torque.  
Mounting plate according to ISO 5211.  
Handle in malleable iron very resistant : locked notch (DN40-300).



### CONSTRUCTION

11	1	Handle	Malleable iron	
10	1	Circlip	Steel	
9	1	Washer	Steel	
8	1	Circlip	Steel	
7	1	O-ring	NBR	
6	1	Guiding bearing	PTFE	
5	1	Guiding bearing	PTFE	
4	1	Stem	Stainless steel 416	DIN: 1.4005 ASTM: AISI 416 BS: 416 S21
3	1	Sleeve	EPDM	
2	1	Disc	Ductile iron EN-GJS-400-15	DIN: GGG 40 ASTM: A536 65-45-12 BS: 1563 EN-JS1030
1	1	Body	Ductile iron EN-GJS-400-15	DIN: GGG 40 ASTM: A536 65-45-12 BS: 1563 EN-JS1030
Pos.	Q-ty	Designation	Material	



### DIMENSIONS

DN	L	G	H	H1	V1	V2	ØD1	Type	Weight (kg)
40 - 1 1/2"	33	61	190	130	180	32.5	70,6	F05	2.50
50 - 2"	42	68.3	201.2	141.2	180	32.5	74,9	F05	3.36
65 - 2 1/2"	44.7	76.2	210.4	150.4	180	32.5	87,6	F05	3.80
80 - 3"	45.2	98	216.5	156.5	180	32.5	102,5	F05	4.81
100 - 4"	52.1	118	228	168	220	45	133,6	F07	6.43
125 - 5"	54.4	129	246.5	186.5	276	45	157,6	F07	9.03
150 - 6"	55.8	140.2	265.7	205.7	276	45	187	F07	9.85
200 - 8"	60.6	174.1	298.6	230.6	318	62.5	236,8	F10	17.05
250 - 10"	67	206.2	302.9	269.9	510	75	291	F10	28.19
300 - 12"	76.9	248.5	360.8	327.8	767	75	342,8	F10	38.27

### WORKING CONDITIONS

Maximum working pressure : 16 bar DN40 -150  
10 bar DN200-300

Maximum temperature : -20°C / +110°C.  
Peak temperature : +120°C.

### STANDARDS

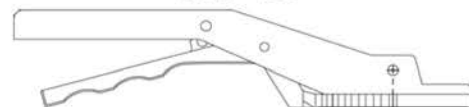
Manufacture according to the requirements of the European directive 2014/68/UE «Equipments under pressure» : category III modulate H.  
Pressure test according to standard EN 12266-1 :

DN40 - 150 : Body : 24 bar.  
Seat : 17,6 bar.  
DN200 - 300 : Body : 15 bar.  
Seat : 11 bar.

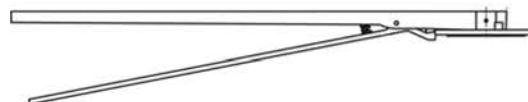
Face to face according to standard NF EN 558-1serie 20, ISO 5752 serie 20, DIN 3202.  
Mounting between flanges PN10 / PN16 for DN40 - 150 and PN 10 for DN200 - 300 according to EN 1092-2.

### Two handle type

DN40 - 200



DN250 - 300



**TECOFI France** - 83, Rue Marcel Mérieux 69960 Corbas - FRANCE  
Tél. +33 (0) 4 72 79 05 79 - Fax +33 (0) 4 78 90 19 19 / +33 (0) 4 72 79 05 70  
Adresses e-mail : sales@tecofi.fr ; tecofi@tecofi.fr / Site web : [www.tecofi.fr](http://www.tecofi.fr)