

BUTTERFLY VALVE WITH HANDLE

VPB 3448-02



APPLICATION

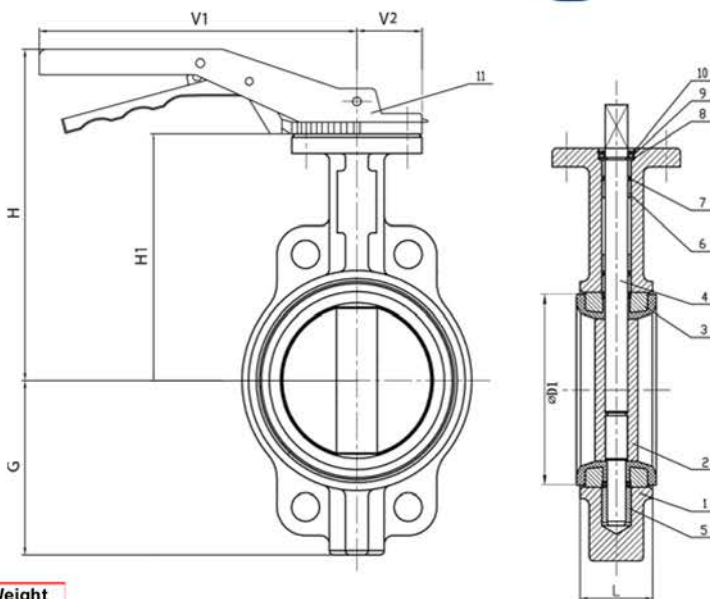
General use : heating, ventilation and air-conditioning.

GENERAL CHARACTERISTICS

Design in accordance with NF EN 593.
 Type with lugs enabling use on bottom line.
 Tightness in both ways according to NF EN 12266-2.
 Stainless steel stem.
 Internally reinforced resin sleeve giving a lower torque.
 Mounting plate according to ISO 5211.
 Handle in malleable iron very resistant : notched, locked notch (DN40-300).

CONSTRUCTION

11	1	Handle	Malleable iron	
10	1	Circlip	Steel	
9	1	Washer	Steel	
8	1	Circlip	Steel	
7	1	O-ring	NBR	
6	1	Guiding bearing	PTFE	
5	1	Guiding bearing	PTFE	
4	1	Stem	Stainless steel 416	DIN: 1.4005 ASTM: AISI 416 BS: 416 S21
3	1	Sleeve	EPDM	
2	1	Disc	Ductile iron EN-GJS-400-15	DIN: GGG 40 ASTM: A536 65-45-12 BS: 1563 EN-JS1030
1	1	Body	Cast iron EN-GJL-250	DIN: GG25 ASTM: A48 class 40B BS: 1452 Grade 250
Pos.	Q-ty	Designation	Material	



DIMENSIONS

DN	L	G	H	H1	V1	V2	ØD1	Type	Weight (kg)
40 - 1"1/2	33	61	190	130	180	32.5	70,6	F05	2.11
50 - 2"	42	68.3	201.2	141.2	180	32.5	74,9	F05	2.63
65 - 2"1/2	44.7	76.2	210.4	150.4	180	32.5	87,6	F05	3.12
80 - 3"	45.2	98	216.5	156.5	180	32.5	102,5	F05	3.57
100 - 4"	52.1	118	228	168	220	45	133,6	F07	5.22
125 - 5"	54.4	129	246.5	186.5	276	45	157,6	F07	6.96
150 - 6"	55.8	140.2	265.7	205.7	276	45	187	F07	8.23
200 - 8"	60.6	174.1	298.6	230.6	318	62.5	236,8	F10	13.75
250 - 10"	67	206.2	302.9	269.9	510	75	291	F10	21.55
300 - 12"	76.9	248.5	360.8	327.8	767	75	342,8	F10	33.11

WORKING CONDITIONS

Maximum working pressure : 16 bar.
 Maximum temperature : -20°C / +110°C.
 Peak temperature : +120°C.

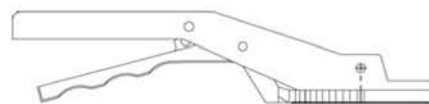
Pressure test according to standard EN 12266-1:
 Body : 24 bar.
 Seat : 17,6 bar.

STANDARDS

Manufacture according to the requirements of the European directive 2014/68/UE «Equipments under pressure» : category III modulate H.
 Face to face according to standard NF EN 558-1serie 20, ISO 5752 serie 20, DIN 3202.
 Mounting between flanges PN10 / PN16 : according to EN 1092-2.
 Adjustable between flanges ASA 150 according to ASME B16.5.

Two handle type

DN40 - 200



DN250 - 300

