

Ref. : VPA 4408-08.pas

Rev. : Initial

Date : 08/07/2008

Page : 1/1

BUTTERFLY VALVE WAFER AWWA WITH GEARBOX

VPA 4408-08



Tecofi
VALVE DESIGNER - FRANCE

APPLICATION

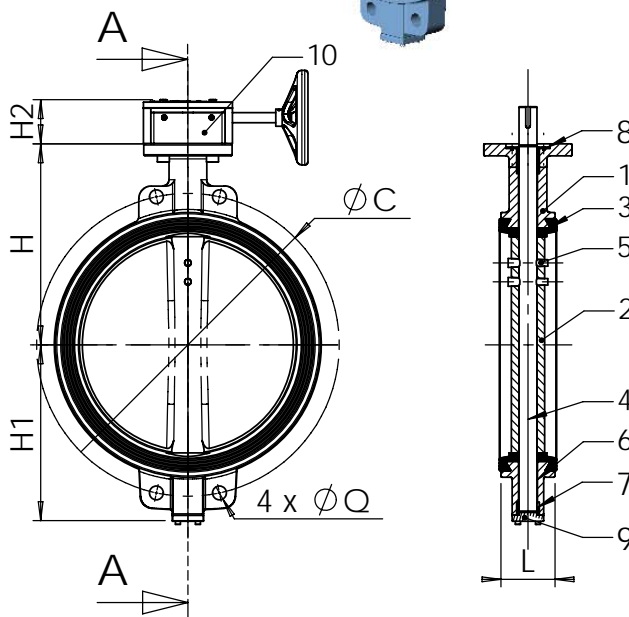
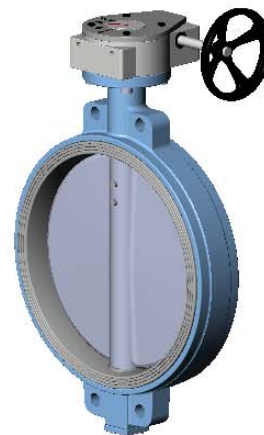
General use : water, sludge, etc.

GENERAL CHARACTERISTICS

- Design in accordance to standard AWWA C504.
- Coupling stem on butterfly assembled by taper pin.
- Nylon bushing.
- Supplementary tightness on stem by o'rings.

CONSTRUCTION

10	1	Gearbox		
9	1	Bottom cover	Ductile iron	DIN: GGG40 ASTM: A536 65-45-12 BS: 1563 EN-JS1030
8	1	Upper cover	Ductile iron	DIN: GGG40 ASTM: A536 65-45-12 BS: 1563 EN-JS1030
7	6	O'ring	EPDM	
6	3	Bushing	Nylon	
5	2	Taper pin	SS304	DIN : X5CrNi18 10 ASTM: A 182 AISI 304 BS : 1449-2 304 S15
4	1	Shaft	SS304	DIN : X5CrNi18 10 ASTM: A 182 AISI 304 BS : 1449-2 304 S15
3	1	Sleeve	EPDM	
2	1	Disc	DI + SS316	
1	1	Body	Ductile iron	DIN: GGG40 ASTM: A536 65-45-12 BS: 1563 EN-JS1030
Pos.	Qty.	Description	Material	



DIMENSIONS

DN		H		H1		H2		ØC		ØQ		L	
mm	inch												
80	3"	121	4,76	83	3,27	72	2,83	152,40	6,0	19,05	0,75	50,8	2,00
100	4"	140	5,51	89	3,50	72	2,83	190,50	7,5	19,05	0,75	57,2	2,25
150	6"	165	6,50	130	5,12	72	2,83	241,30	9,5	22,35	0,88	71,4	2,81
200	8"	197	7,76	165	6,50	72	2,83	298,50	11,8	22,35	0,88	74,6	2,94
250	10"	229	9,02	251	9,88	77	3,03	361,95	14,3	25,40	1,00	79,4	3,13
300	12"	267	10,51	289	11,38	77	3,03	431,80	17,0	25,40	1,00	85,7	3,37
350	14"	302	11,89	324	12,76	77	3,03	476,30	18,8	28,45	1,12	96,3	3,79
400	16"	343	13,50	365	14,37	138	5,43	539,80	21,3	28,45	1,12	105,0	4,13
450	18"	365	14,37	387	15,24	138	5,43	577,90	22,8	31,75	1,25	117,0	4,61
500	20"	406	15,98	432	17,01	138	5,43	635,00	25,0	31,75	1,25	130,0	5,12

WORKING CONDITIONS

Maximum working pressure: 150 PSI = 10,3 bar
Maximum temperature: +4°C / +110°C

STANDARDS

Pressure test according to standards AWWA C504

Body: 225 PSI = 15,5 bar

Seat: 165 PSI = 11,3 bar

Wafer type ISO connections according to standard ASME B16.1 CL125.

TECOFI France - 83, Rue Marcel Mérieux 69960 Corbas - FRANCE
Tél. +33 (0) 4 72 79 05 79 - Fax +33 (0) 4 78 90 19 19 / +33 (0) 4 72 79 05 70
Adresses e-mail : sales@tecofi.fr ; tecofi@tecofi.fr / Site web : www.tecofi.fr