

BUTTERFLY VALVE TECFLON WITH MANUAL GEAR BOX

TECHNICAL PASSPORT

BUTTERFLY VALVE TECFLON- DUCTILE IRON BODY WITH MANUAL GEAR BOX

VP4649R-08PTFE

APPLICATION

TECFLON butterfly valves are intended for ON/OFF or control use in fluid transfer circuits.

- **Area of use:** ingeneering, chemical and petrochemical industry, sewage treatment plants.



- **Fluids :** waste water, liquid waste, corrosive products, hydrocarbons, etc.
«Not suitable for steam application»

GENERAL CHARACTERISTICS

Range : from DN125 to DN300.

- Type with threaded ears
- Sealing in both directions of circulation of the piping.
- Stainless steel disc.
- PTFE sleeve with viton backup pad.
- Extended neck compatible with pipe lapping
- Reduced maneuvering torque.
- Reduced head losses.
- ISO 5211 mounting plate.

STANDARDS

Design	Manufacture according to the requirements of the European directive 2014/68/UE «Equipment under pressure»: modulate H.
Face to face	Face to face according to standards NF EN 558-1 série 20, ISO 5272 série 20, DIN 3202.
Connection	Mounting with flanges ISO PN10/16 from DN125 to DN150 and PN10 from DN200 to DN300 according to EN1092-2.
Tests	Pressure test according to standards EN12266-1, DIN 3230, BS 5154 and ISO 5208: -Body : WP x 1.5 bar -Seat : WP x 1.1 bar

PRODUCT APPROVALS



Tecofi France

83 rue Marcel Mérieux - 69960 Corbas
Tél. +33 (0)4 72 79 05 79 - Fax. +33 (0)4 78 90 19 19
E-mail : sales@tecofi.fr - www.tecofi.fr

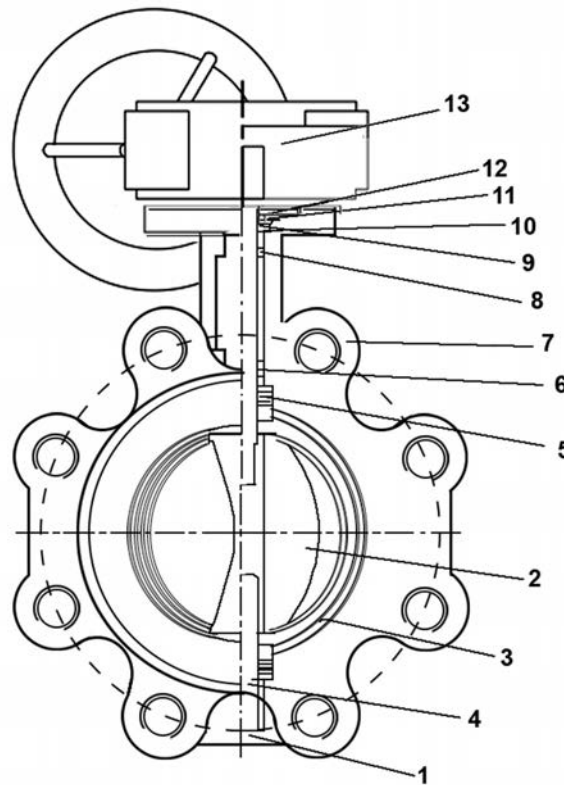


BUTTERFLY VALVE TECFLON WITH MANUAL GEAR BOX

TECHNICAL PASSPORT

VP4649R-08PTFE

CONSTRUCTION



Oven backed epoxy coated body RAL 5019 thickness 250μ

Pos.	Description	Material	Equivalences		
			DIN	ASTM	BS
1	Body	Ductile iron EN-GJS-500-7	GGG50	A536 65-70-50-05	1563 EN-JS1050
2	Disc	Stainless steel CF8M + PTFE			
3	Sleeve	PTFE + FPM (Viton®)			
4	Stem	Stainless steel 316			
5	Joint	FRP (Fiber reinforced plastic)			
6	Bushing	FRP (Fiber reinforced plastic)			
7	Body	Ductile iron EN-GJS-500-7	GGG50	A536 65-70-50-05	1563 EN-JS1050
8	Bushing	FRP (Fiber reinforced plastic)			
9	Ring	Steel			
10	Stem circlip	Steel			
11	Ring	Steel			
12	Circlip	Steel			
13	Gear box				

Tecofi France

83 rue Marcel Mérieux - 69960 Corbas
 Tél. +33 (0)4 72 79 05 79 - Fax. +33 (0)4 78 90 19 19
 E-mail : sales@tecofi.fr - www.tecofi.fr

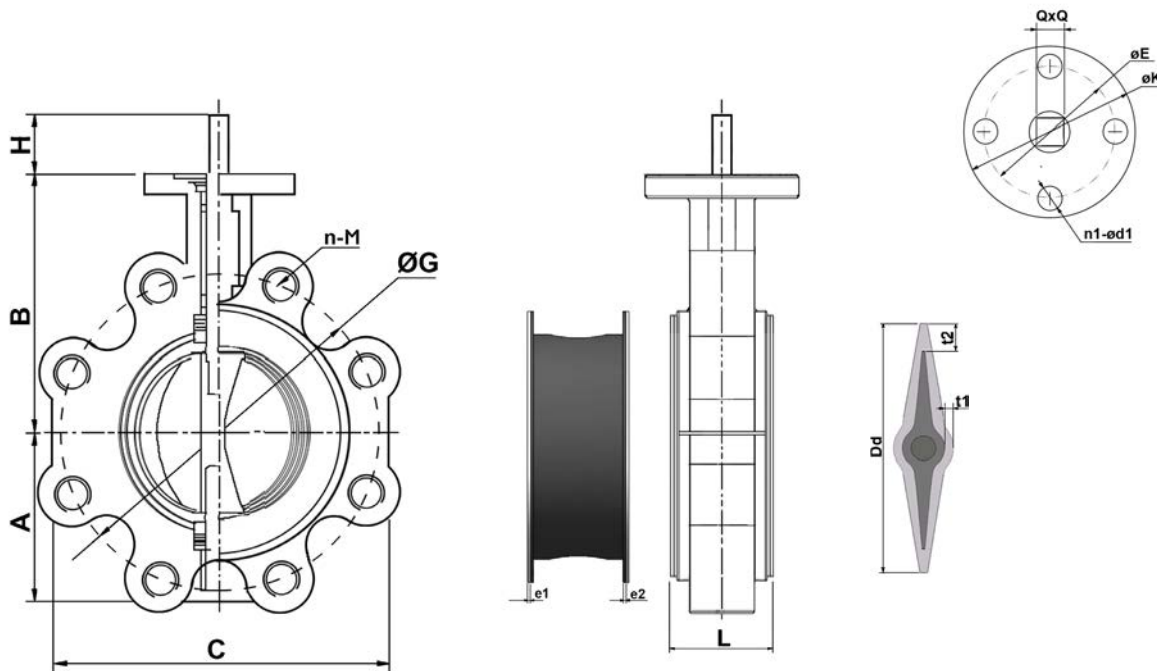


BUTTERFLY VALVE TECFLON WITH MANUAL GEAR BOX

TECHNICAL PASSPORT

VP4649R-08PTFE

DIMENSIONS



DN		A	B	C	L	H	Upper plate				ØG	n-M	Q	Dd	t1	t2	PTFE thickness e1	Viton thickness e2	Maximum possible vacuum (kPa)	KVs (m³/h)	Torque Nm	Weight (kg)
mm	inch						ISO	K	E	n1-Ød1												
125	5"	122	180	219	59	30	F05	90	70	4-Ø10	115	8-M16	9	125.4	5.5±0.5	13±0.5	2.4	2.6	30	1000	110	14.15
150	6"	134	186	241	59	30	F05	90	70	4-Ø10	125	8-M20	9	152.7	6±0.5	14±0.5	2.4	2.6	30	1500	150	14.55
200	8"	165	234	320	63	35	F05	125	102	4-Ø12	145	8-M20	9	196.4	6.5±0.5	16±0.5	2.4	2.6	20	3000	300	26.5
250	10"	194	273	370	73	38	F05	125	102	4-Ø12	160	12-M20	9	245.4	7±0.5	17±0.5	3	3	10	5200	400	36
300	12"	224	302	450	81	38	F07	125	102	4-Ø12	180	12-M20	11	296.4	7.5±0.5	17±0.5	3	3	10	8180	550	56.3

WORKING CONDITIONS

Maximum working pressure : 16 bar from DN40 to DN150
 10 bar from DN200 to DN300
 Maximum working temperature : -20°C / +190°C

Tecofi France

83 rue Marcel Mérieux - 69960 Corbas
 Tél. +33 (0)4 72 79 05 79 - Fax. +33 (0)4 78 90 19 19
 E-mail : sales@tecofi.fr - www.tecofi.fr

