

PTFE LUG TYPE BUTTERFLY VALVE

VP 4649R-02PTF



APPLICATION

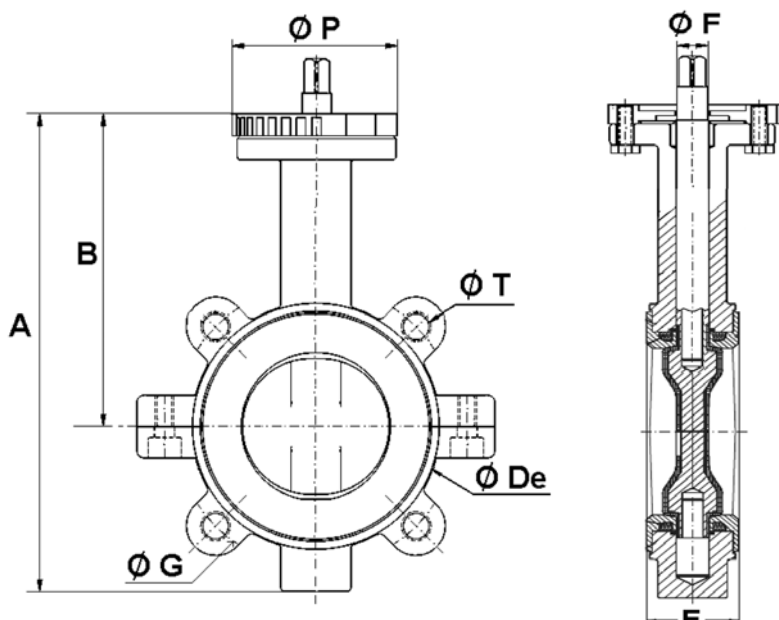
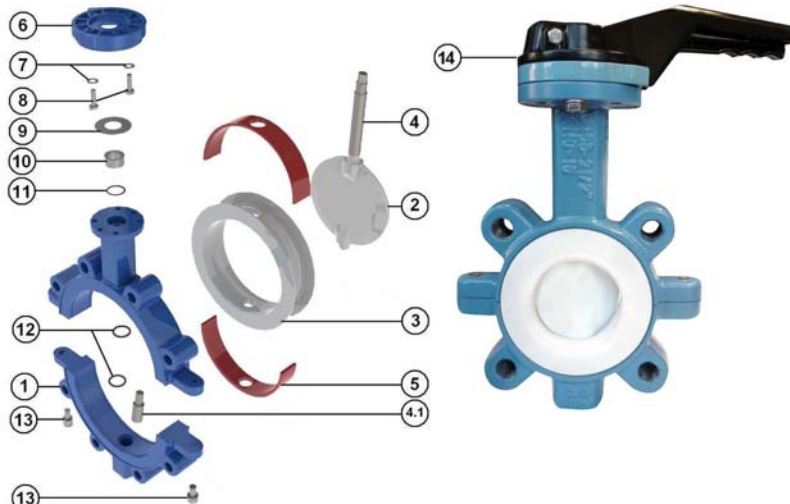
General use : for corrosive fluids (acids ...)

GENERAL CHARACTERISTICS

From DN40 to DN200.
 Long neck for isolation
 ISO 5211 mounting pad, lug type.
 2 parts body and stem.
 Stainless steel PTFGE coated disc.
 PTFE sealing ring 3 mm thickness
 with silicone elastic gasket 6 mm thickness.
 Rilsan coated body color RAL 5024 ,
 250-300 microns thickness
 9 positions handle, with locking device.

CONSTRUCTION

14	Handle	Aluminium
13	Screw	A4
12	O ring	FKM
11	O ring	FKM
10	Socket	Stainless steel 316
9	Ring	Stainless steel 316
8	Plate screw	A4
7	Washer	A4
6	Plate	Aluminium
5	Insert	Silicone
4.1	Lower stem	Stainless steel 17 4-PH (630)
4	Upper stem	Stainless steel 17 4-PH (630)
3	Sleeve	PTFE
2	Disc	Stainless steel ASTM A351 CF8M
1	Body	Ductile iron EN-GJS-500-7 PTFE lined
Pos.	Description	Material



DIMENSIONS

DN	mm		A	B	ØDe	E	ØF	ØG	ØP	ØT	Weight (kg)
	inch										
40	1 1/2		205	140	82	33	10.5	110	88	4 x M16	3
50	2"		226	156	103	43	10.5	125	88	4 x M16	4
65	2 1/2		242	161	116	46	14.5	145	88	4 x M16	5
80	3"		257	167	134	47	16.5	160	88	8 x M16	6.5
100	4"		288	184	153	52	16.5	180	88	8 x M16	8
125	5"		325	207	185	56	18.5	210	105	8 x M16	11
150	6"		346	215	208	56	18.5	240	105	8 x M20	13
200	8"		437	257	270	60	22.5	295	105	8 x M20	22

WORKING CONDITIONS

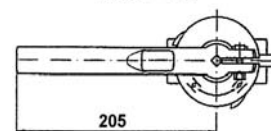
Maximum working temperature : -25°C / 200°C
 Maximum working pressure: 16 bar from DN40 to DN150
 10 bar for DN200

STANDARDS

Fabrication according to ISO 9001:2008
 Tests according to ISO 5208, range A
 Between flanges according to EN 1092-1 PN10
 Length according to ISO 5752 short series 20, EN 558 series 20 (NF 29305), BS 5155 Wafer short/medium, DIN 3202 part 3, series K1.

Handle types

DN 40 - 100



DN 125 - 200

