

BUTTERFLY VALVE TECFLON WITH HANDLE

TECHNICAL PASSPORT

BUTTERFLY VALVE TECFLON- DUCTILE IRON BODY WITH HANDLE

VP4649R-02PTFE

APPLICATION

TECFLON butterfly valves are intended for ON/OFF or control use in fluid transfer circuits.

- **Area of use:** ingeneering, chemical and petrochemical industry, sewage treatment plants.



- **Fluids :** waste water, liquid waste, corrosive products, hydrocarbons, etc.
«Not suitable for steam application»

GENERAL CHARACTERISTICS

Range : from DN40 to DN100.

- Type with threaded ears
- Sealing in both directions of circulation of the piping.
- Stainless steel disc.
- PTFE sleeve with viton backup pad.
- Extended neck compatible with pipe lapping
- Reduced maneuvering torque.
- Reduced head losses.
- Notched sector providing 10 positions of adjustment of the handle.
- ISO 5211 mounting plate.



STANDARDS

Design	Manufacture according to the requirements of the European directive 2014/68/UE «Equipment under pressure»: modulate H.
Face to face	Face to face according to standards NF EN 558-1 série 20, ISO 5272 série 20, DIN 3202.
Connection	Mounting with flanges ISO PN10/16 according to EN1092-2.
Tests	Pressure test according to standards EN12266-1, DIN 3230, BS 5154 and ISO 5208: -Body : 24 bar -Seat : 17.6 bar

PRODUCT APPROVALS



Tecofi France

83 rue Marcel Mérieux - 69960 Corbas
Tél. +33 (0)4 72 79 05 79 - Fax. +33 (0)4 78 90 19 19
E-mail : sales@tecofi.fr - www.tecofi.fr

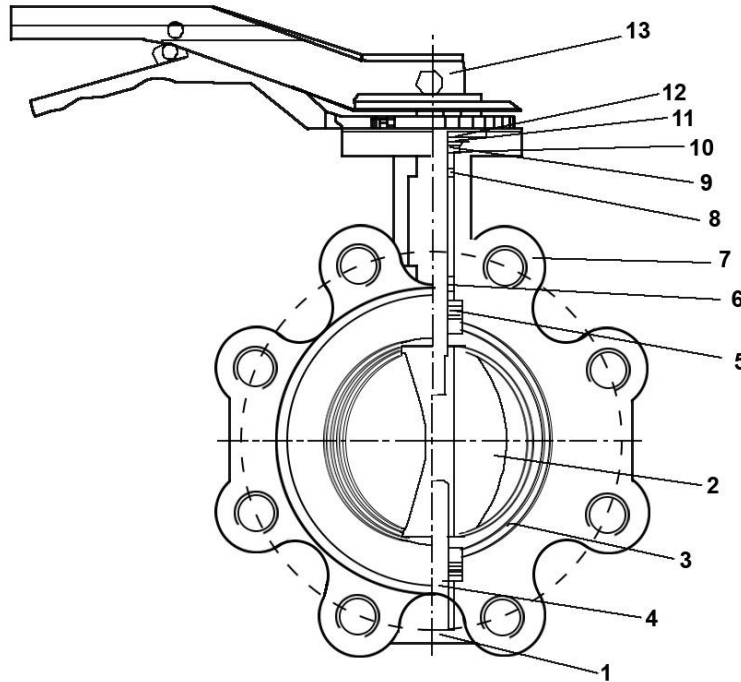


BUTTERFLY VALVE TECFLON WITH HANDLE

TECHNICAL PASSPORT

VP4649R-02PTFE

CONSTRUCTION



Oven backed epoxy coated body RAL 5019 thickness 250µ

Pos.	Description	Material	Equivalences		
			DIN	ASTM	BS
1	Body	Ductile iron EN-GJS-500-7	GGG50	A536 65-70-50-05	1563 EN-JS1050
2	Disc	Stainless steel CF8M + PTFE			
3	Sleeve	PTFE + FPM (Viton®)			
4	Stem	Stainless steel 316			
5	Joint	FRP (Fiber reinforced plastic)			
6	Bushing	FRP (Fiber reinforced plastic)			
7	Body	Ductile iron EN-GJS-500-7	GGG50	A536 65-70-50-05	1563 EN-JS1050
8	Bushing	FRP (Fiber reinforced plastic)			
9	Ring	Steel			
10	Stem circlip	Steel			
11	Ring	Steel			
12	Circlip	Steel			
13	Handle	Ductile iron			

The photographs and technical art works are not contractual. The specifications of the presented products are open to modifications without previous advice.

Tecofi France

83 rue Marcel Mérieux - 69960 Corbas
Tél. +33 (0)4 72 79 05 79 - Fax. +33 (0)4 78 90 19 19
E-mail : sales@tecofi.fr - www.tecofi.fr

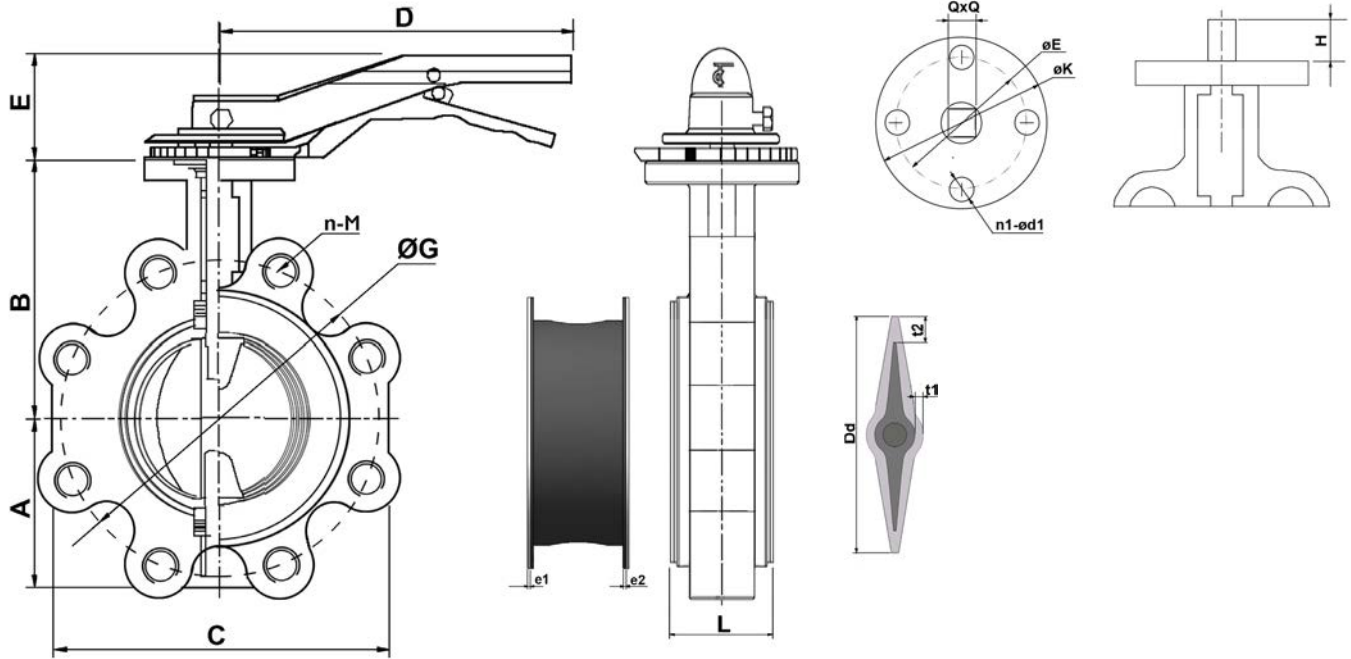


BUTTERFLY VALVE TECFLON WITH HANDLE

TECHNICAL PASSPORT

VP4649R-02PTFE

DIMENSIONS



DN		A	B	C	L	H	Upper plate				ØG	n-M	D	Q	Dd	t1	t2	PTFE thickness e1	Viton thickness e2	Maximum possible vacuum (kPa)	KVs (m³/h)	Torque Nm	Weight (kg)
mm	inch						ISO	K	E	n1-Ød1													
40	1 1/2	62	130	143	47	32	F05	65	50	4-Ø7	115	4-M16	180	9	-	4±0.3	7±0.3	2	2	50	-	25	3.47
50	2"	62	136	153	47	32	F05	65	50	4-Ø7	125	4-M16	180	9	51.9	4±0.3	7±0.3	2	2	50	111.2	25	3.47
65	2 1/2	72	138	155	50	32	F05	65	50	4-Ø7	145	4-M16	180	9	66.4	4.5±0.3	8±0.3	2	2	50	179.6	30	4.1
80	3"	78	140	180	50	32	F05	65	50	4-Ø7	160	8-M16	180	9	77.9	5±0.3	8.5±0.3	2	2	50	256.5	45	4.55
100	4"	105	158	198	55.5	32	F07	90	70	4-Ø10	180	8-M16	220	11	102.9	5.5±0.5	13±0.5	2.3	2.2	50	513	65	6.8

WORKING CONDITIONS

Maximum working pressure : 16 bar
 Maximum working temperature : -20°C / +190°C

Tecofi France

83 rue Marcel Mérieux - 69960 Corbas
 Tél. +33 (0)4 72 79 05 79 - Fax. +33 (0)4 78 90 19 19
 E-mail : sales@tecofi.fr - www.tecofi.fr

