

## BUTTERFLY VALVE TECFLON WITH HANDLE

TECHNICAL PASSPORT

### BUTTERFLY VALVE TECFLON- DUCTILE IRON BODY WITH HANDLE

VP4649-02PTFE

#### APPLICATION

TECFLON butterfly valves are intended for ON/OFF or control use in fluid transfer circuits.

- **Area of use:** ingeneering, chemical and petrochemical industry, sewage treatment plants.



- **Fluids :** waste water, liquid waste, corrosive products, hydrocarbons, etc.  
«Not suitable for steam application»



#### GENERAL CHARACTERISTICS

**Range :** from DN40 to DN100.

- Type with threaded ears
- Sealing in both directions of circulation of the piping.
- Stainless steel disc.
- PTFE sleeve with viton backup pad.
- Extended neck compatible with pipe lapping
- Reduced maneuvering torque.
- Reduced head losses.
- Notched sector providing 10 positions of adjustment of the handle.
- ISO 5211 mounting plate.

#### STANDARDS

<b>Design</b>	Manufacture according to the requirements of the European directive 2014/68/UE «Equipment under pressure»: modulate H.
<b>Face to face</b>	Face to face according to standards NF EN 558-1 série 20, ISO 5272 série 20, DIN 3202.
<b>Connection</b>	Mounting with flanges ISO PN10/16 according to EN1092-2.
<b>Tests</b>	Pressure test according to standards EN12266-1, DIN 3230, BS 5154 and ISO 5208: -Body : 24 bar -Seat : 17.6 bar

#### PRODUCT APPROVALS



#### Tecofi France

83 rue Marcel Mérieux - 69960 Corbas  
Tél. +33 (0)4 72 79 05 79 - Fax. +33 (0)4 78 90 19 19  
E-mail : sales@tecofi.fr - [www.tecofi.fr](http://www.tecofi.fr)

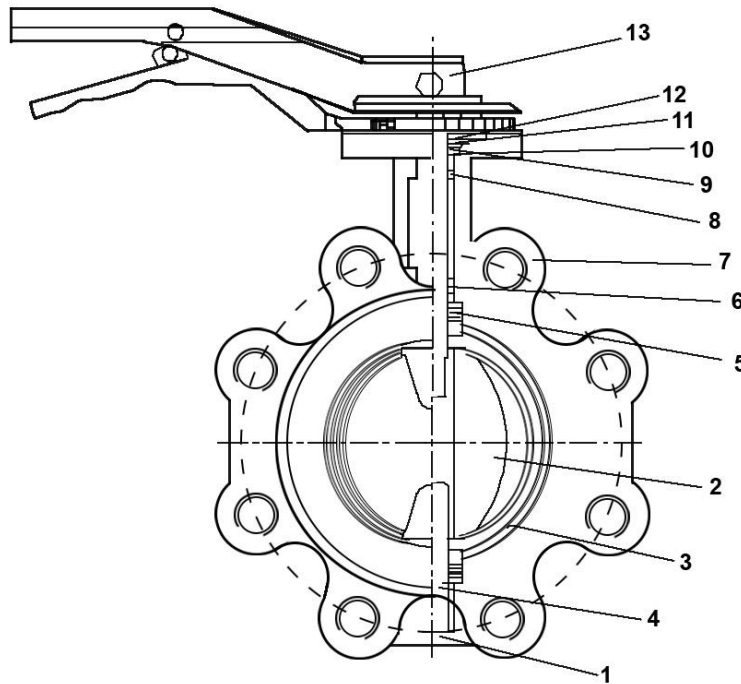


# BUTTERFLY VALVE TECFLON WITH HANDLE

TECHNICAL PASSPORT

VP4649-02PTFE

## CONSTRUCTION



Oven backed epoxy coated body RAL 5019 thickness 250µ

Pos.	Description	Material	Equivalences		
			DIN	ASTM	BS
1	Body	Ductile iron EN-GJS-500-7	GGG50	A536 65-70-50-05	1563 EN-JS1050
2	Disc	Stainless steel CF8M			
3	Sleeve	PTFE + FPM (Viton®)			
4	Stem	Stainless steel 316			
5	Joint	FRP (Fiber reinforced plastic)			
6	Bushing	FRP (Fiber reinforced plastic)			
7	Body	Ductile iron EN-GJS-500-7	GGG50	A536 65-70-50-05	1563 EN-JS1050
8	Bushing	FRP (Fiber reinforced plastic)			
9	Ring	Steel			
10	Stem circlip	Steel			
11	Ring	Steel			
12	Circlip	Steel			
13	Handle	Ductile iron			

**Tecofi France**

83 rue Marcel Mérieux - 69960 Corbas  
Tél. +33 (0)4 72 79 05 79 - Fax. +33 (0)4 78 90 19 19  
E-mail : sales@tecofi.fr - [www.tecofi.fr](http://www.tecofi.fr)

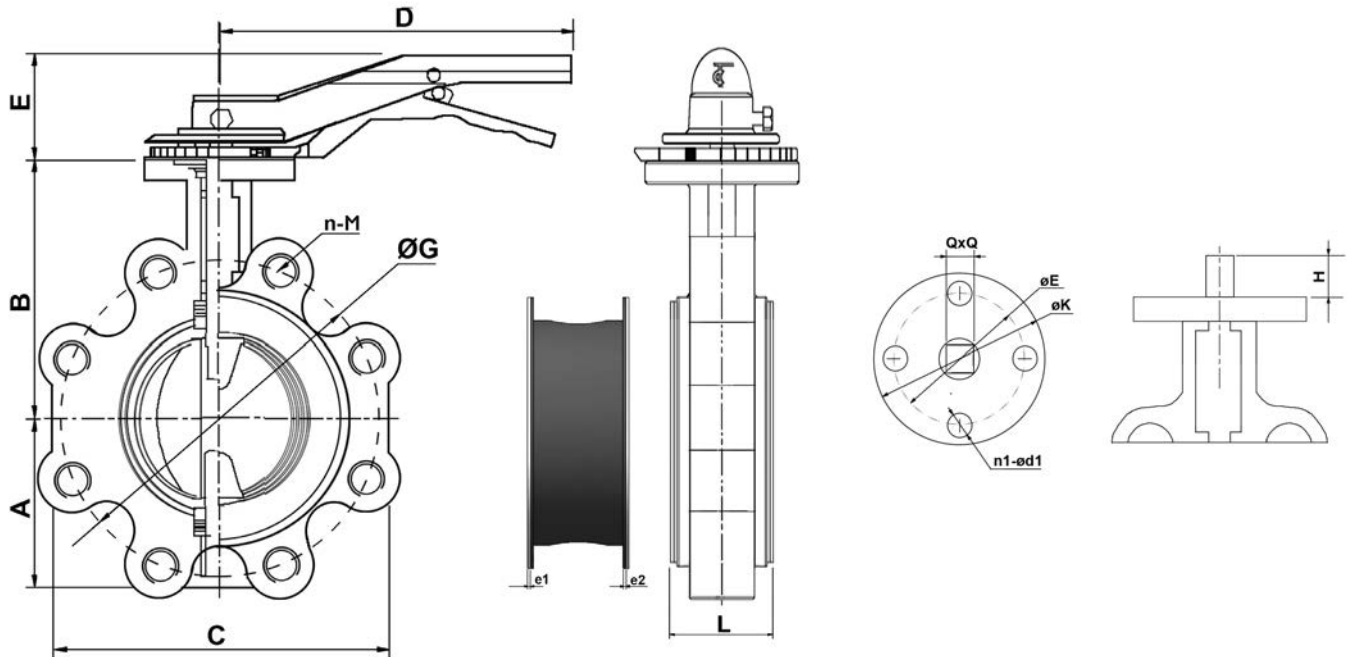


## BUTTERFLY VALVE TECFLON WITH HANDLE

TECHNICAL PASSPORT

VP4649-02PTFE

### DIMENSIONS



DN		A	B	C	L	H	Upper plate				ØG	n-M	D	Q	PTFE thickness e1	Viton thickness e2	Maximum possible vacuum (kPa)	KV's (m³/h)	Torque Nm	Weight (kg)
mm	inch						ISO	K	E	n1-Ød1										
40	1 1/2"	62	130	143	47	32	F05	65	50	4-Ø7	115	4-M16	180	9	2	2	50	-	25	3.47
50	2"	62	136	153	47	32	F05	65	50	4-Ø7	125	4-M16	180	9	2	2	50	111.2	25	3.47
65	2 1/2"	72	138	155	50	32	F05	65	50	4-Ø7	145	4-M16	180	9	2	2	50	179.6	30	4.1
80	3"	78	140	180	50	32	F05	65	50	4-Ø7	160	8-M16	180	9	2	2	50	256.5	45	4.55
100	4"	105	158	198	55.5	32	F07	90	70	4-Ø10	180	8-M16	220	11	2.3	2.2	50	513	65	6.8

### WORKING CONDITIONS

Maximum working pressure : 16 bar  
 Maximum working temperature : -20°C / +190°C

**Tecofi France**

83 rue Marcel Mérieux - 69960 Corbas  
 Tél. +33 (0)4 72 79 05 79 - Fax. +33 (0)4 78 90 19 19  
 E-mail : sales@tecofi.fr - [www.tecofi.fr](http://www.tecofi.fr)

