

## FLANGED BUTTERFLY VALVE

### TECHNICAL PASSPORT

#### FLANGED MODEL BUTTERFLY VALVE TECFLY DUCTILE IRON BODY WITH ELECTRIC ACTUATOR

VP 4548A-BX4

#### APPLICATION

The VP butterfly valves are intended to be used in ON/OFF mode or regulation in the fluid transfer circuits.

**Area of use:** water treatment, pumping irrigation.



**Fluids:** cold water, hot water, waste water, liquid discharges, alkalis, sodium hydroxide, etc.

#### GENERAL CHARACTERISTICS

**Range:** from DN50 to DN300.  
Design according to NF EN 593.  
Sleeve ensuring tightness in both directions.  
Crossing stem. Profiled and reduced thickness disc ensuring a reduced operating torque.  
Standardized mounting plate according to ISO 5211.



#### WORKING CONDITIONS

Maximum working pressure : 16 bar  
Maximum working temperature : -15°C / +130°C  
Peak temperature: -30°C / +150°C

VP 4548A-BX4	Actuator type
VP 4548A-B04	BERNARD 400V 3PH
VP 4548A-B24	BERNARD 230V 3PH

#### STANDARDS

<b>Design</b>	Manufacture according to the requirements of the European directive n° 2014/68/UE «Equipment under pressure» : modulate H.
<b>Face to face</b>	Face to face dimensions according to NF EN 558-1 serie 20, ISO 5272 serie 20, DIN 3202.
<b>Connection</b>	Flanged type ISO PN10/16 (DN50-150) and PN16 (DN200-300) according to EN1092-2.
<b>Tests</b>	Pressure test according to standards EN12266-1, DIN 3230, BS 5154 and ISO 5208: -Body : 24 bar -Seat : 17.6 bar

#### PRODUCT APPROVALS



#### Tecofi France

83 rue Marcel Mérieux - 69960 Corbas  
Tél. +33 (0)4 72 79 05 79 - Fax. +33 (0)4 78 90 19 19  
E-mail : sales@tecofi.fr - [www.tecofi.fr](http://www.tecofi.fr)

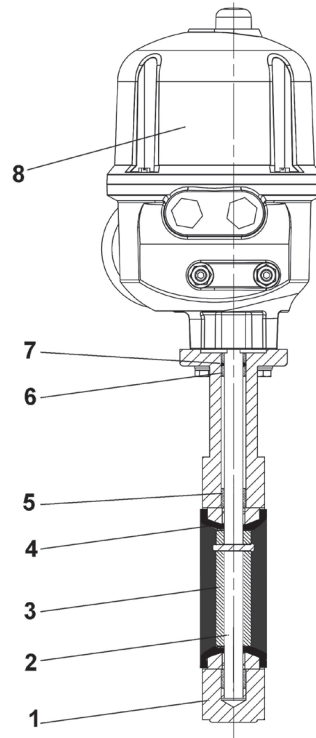


## FLANGED BUTTERFLY VALVE

### TECHNICAL PASSPORT

VP 4548A-BX4

#### CONSTRUCTION



Pos.	Q-ty	Description	Material	Equivalences		
				DIN	ASTM	BS
1	1	Body	Ductile iron EN-GJS-400	GGG40	A536 65-45-12	EN-JS1030
2	1	Stem	Stainless steel 410	X12Cr13		
3	1	Disc	Ductile iron EN-GJS-400	GGG40	A536 65-45-12	EN-JS1030
4	1	Sleeve	Heat EPDM			
5	2	Bushing	FRP			
6	2	Bushing	FRP			
7	1	O ring	NBR			
8	1	Electric actuator	BERNARD			

The photographs and technical art works are not contractual. The specifications of the presented products are open to modifications without previous advice

#### Tecofi France

83 rue Marcel Mérieux - 69960 Corbas  
 Tél. +33 (0)4 72 79 05 79 - Fax. +33 (0)4 78 90 19 19  
 E-mail : sales@tecofi.fr - [www.tecofi.fr](http://www.tecofi.fr)

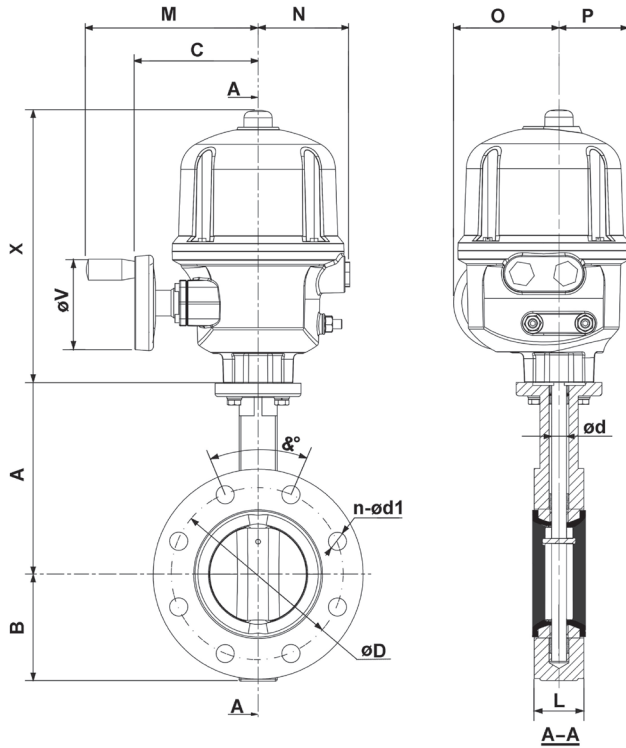


## FLANGED BUTTERFLY VALVE

### TECHNICAL PASSPORT

#### VP 4548A-BX4

### DIMENSIONS



DN		Valve reference	Actuator reference	Voltage	X	C	M	N	O	P	ØV
mm	inch										
50	2"	VP4548-B24	AQ5	230V Mono 50 Hz	286	134	184	96	110	74	100
		VP4548-B04	AQ5	400V Tri 50 Hz							
65	2 1/2"	VP4548-B24	AQ5	230V Mono 50 Hz	286	134	184	96	110	74	100
		VP4548-B04	AQ5	400V Tri 50 Hz							
80	3"	VP4548-B24	AQ5	230V Mono 50 Hz	286	134	184	96	110	74	100
		VP4548-B04	AQ5	400V Tri 50 Hz							
100	4"	VP4548-B24	AQ10	230V Mono 50 Hz	286	134	184	96	110	74	100
		VP4548-B04	AQ10	400V Tri 50 Hz							
125	5"	VP4548-B24	AQ10	230V Mono 50 Hz	286	134	184	96	110	74	100
		VP4548-B04	AQ10	400V Tri 50 Hz							
150	6"	VP4548-B24	AQ15	230V Mono 50 Hz	286	134	184	96	110	74	100
		VP4548-B04	AQ15	400V Tri 50 Hz							
200	8"	VP4548-B24	AQ30	230V Mono 50 Hz	328	230	310	117	174	86	200
		VP4548-B04	AQ30	400V Tri 50 Hz							
250	10"	VP4548-B24	AQ50	230V Mono 50 Hz	328	230	310	117	174	86	200
		VP4548-B04	AQ50	400V Tri 50 Hz							
300	12"	VP4548-B24	AQ80	230V Mono 50 Hz	365	230	310	117	200	86	250
		VP4548-B04	AQ80	400V Tri 50 Hz							

DN		A	B	C	Ød	ISO	ØK	ØE	n1-Ød2	ØD1	n-Ød1	8°	H	W	Weight (kg)
mm	inch														
50	2"	161	83	42	12.6	F05	65	50	4-Ø7	125	4-Ø19	90	9	32	14.4
65	2 1/2"	175	93	44.7	12.6	F05	65	50	4-Ø7	145	4-Ø19	90	9	32	14.7
80	3"	181	100	45.2	12.6	F05	65	50	4-Ø7	160	8-Ø19	45	9	32	15.9
100	4"	200	112	52.1	15.8	F07	90	70	4-Ø10	180	8-Ø19	45	11	32	18.8
125	5"	213	125	54.4	18.9	F07	90	70	4-Ø10	210	8-Ø19	45	14	32	20.1
150	6"	226	145	55.8	18.9	F07	90	70	4-Ø10	240	8-Ø23	45	14	32	22.7
200	8"	260	173	60.6	22.1	F10	125	102	4-Ø12	295	12-Ø23	45	17	45	32.7
250	10"	292	203	65.6	28.5	F10	125	102	4-Ø12	355	12-Ø28	30	22	45	40.9
300	12"	337	242	76.9	31.6	F10	125	102	4-Ø12	410	12-Ø28	30	22	45	60.5

**Tecofi France**

83 rue Marcel Mérieux - 69960 Corbas  
 Tél. +33 (0)4 72 79 05 79 - Fax. +33 (0)4 78 90 19 19  
 E-mail : sales@tecofi.fr - [www.tecofi.fr](http://www.tecofi.fr)

