

FLANGED BUTTERFLY VALVE

TECHNICAL PASSPORT

BUTTERFLY VALVE WITH HANDLE FLANGED MODEL TECFLY DUCTILE IRON BODY

VP 4509A-02

APPLICATION

The VP butterfly valves are intended to be used in ON/OFF mode or regulation in the fluid transfer circuits.

Area of use: water treatment, pumping irrigation.



Fluids: cold water, hot water, waste water, liquid discharges, alkalis, sodium hydroxide, etc.

GENERAL CHARACTERISTICS

Range: from DN 200 to DN300.
Design according to NF EN 593.
Sleeve ensuring tightness in both directions.
Crossing stem. Profiled and reduced thickness disc ensuring a reduced operating torque.
Flanged connection ISO PN10.
Standardized mounting plate according to ISO 5211.



WORKING CONDITIONS

Maximum working pressure : 10 bar

Maximum working temperature : -15°C / +130°C
Peak temperature: -30°C / +150°C

STANDARDS

Design	Manufacture according to the requirements of the European directive n° 2014/68/UE «Equipment under pressure» : modulate H.
Face to face	Face to face dimensions according to NF EN 558-1 serie 20, ISO 5272 serie 20, DIN 3202.
Connection	Flanged type ISO PN10 according to EN1092-2.
Tests	Pressure test according to standards EN12266-1, DIN 3230, BS 5154 and ISO 5208: -Body : 15 bar -Seat : 11 bar

PRODUCT APPROVALS



Tecofi France

83 rue Marcel Mérieux - 69960 Corbas
Tél. +33 (0)4 72 79 05 79 - Fax. +33 (0)4 78 90 19 19
E-mail : sales@tecofi.fr - www.tecofi.fr

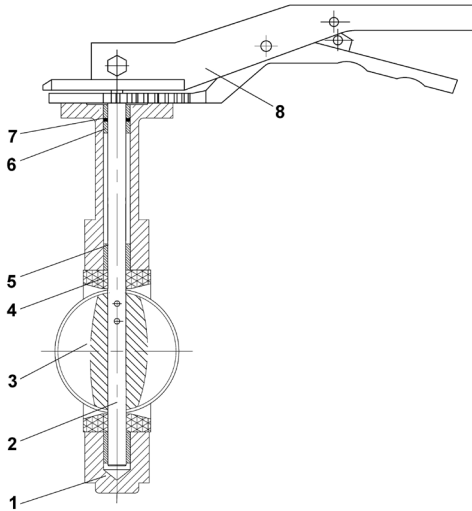


FLANGED BUTTERFLY VALVE

TECHNICAL PASSPORT

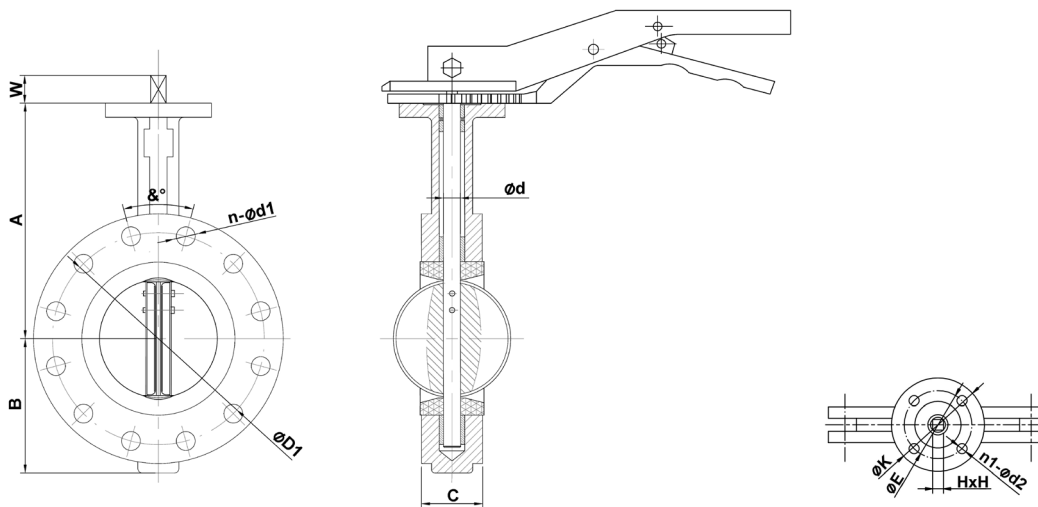
VP 4509A-02

CONSTRUCTION



Pos.	Q-ty	Description	Material	Equivalences		
				DIN	ASTM	BS
1	1	Body	Ductile iron EN-GJS-400	GGG40	A536 65-45-12	EN-JS1030
4	1	Stem	Stainless steel 410	X12Cr13		
2	1	Disc	Stainless steel CF8M	G-X6CrNiMo18 10	A 351 Grade CF8M	1504 316 C16
3	1	Sleeve	HEAT EPDM			
5	2	Bushing	FRP			
6	2	Bushing	FRP			
7	1	O ring	NBR			
8	1	Handle	Ductile iron			

DIMENSIONS



DN		A	B	C	Ød	ISO	ØK	ØE	n1-Ød2	ØD1	n-Ød1	&°	H	W	Weight (kg)
mm	inch														
200	8"	260	173	60.6	22.1	F10	125	102	4-Ø12	295	8-Ø23	45	17	45	19.70
250	10"	292	203	65.6	28.5	F10	125	102	4-Ø12	350	12-Ø23	30	22	45	31.90
300	12"	337	242	76.9	31.6	F10	125	102	4-Ø12	400	12-Ø23	30	22	45	51.50

Tecofi France

83 rue Marcel Mérieux - 69960 Corbas
 Tél. +33 (0)4 72 79 05 79 - Fax. +33 (0)4 78 90 19 19
 E-mail : sales@tecofi.fr - www.tecofi.fr



The photographs and technical art works are not contractual. The specifications of the presented products are open to modifications without previous advice