

Ref. : VP 4459-08.pas

Rev. : Initial

Date : 18/12/2012

Page : 1/1

# BUTTERFLY VALVE WITH GEARBOX PN25

## VP4459-08



**Tecofi**  
VALVE DESIGNER - FRANCE

### APPLICATION

General use : Water, air, acids, etc.

### GENERAL CHARACTERISTICS

Design in accordance with NF EN 593.  
TECFLY type with lugs enabling use on bottom line.  
Tightness in both ways.  
Internally reinforced sleeve giving a lower torque.  
Crossing stem.  
Machined disc with on periphery giving a low and regular torque.  
Stem unjectable, bearing: stainless steel teflon lined.  
Dovetail type sleeve.  
Mounting flange according to ISO 5211.

### CONSTRUCTION

|             |            |                    |                               |  |
|-------------|------------|--------------------|-------------------------------|--|
| 10          | 1          | Screw CHC          | SS A2                         |  |
| 9           | 1          | Washer             | SS A2                         |  |
| 8           | 1          | Gear box           | Cast iron                     |  |
| 7           | 1          | Sleeve             | Heat EPDM                     |  |
| 6           | 1          | O-ring             | NBR                           |  |
| 5           | 2          | Split pin          | SS 420                        | DIN: 1.4021<br>ASTM: AISI 420<br>BS: 420 S37                       |
| 4           | 4          | Bushing            | F48                           |  |
| 3           | 1          | Stem               | SS 420                        | DIN: 1.4021<br>ASTM: AISI 420<br>BS: 420 S37                       |
| 2           | 1          | Disc               | GX5CrNiMo19-11-2              | DIN: G-X6CrNiMo18 10<br>ASTM: A 351 Grade CF8M<br>BS: 1504 316 C16 |
| 1           | 1          | Body               | Ductile iron<br>EN-GJS-400-15 | DIN: GGG40<br>ASTM: A536 65-45-12<br>BS: 1563 EN-JS 1030           |
| <b>Rep.</b> | <b>Nb.</b> | <b>Désignation</b> | <b>Matière</b>                |  |

### DIMENSIONS

| DN          | L    | n x ØL  | ØK  | G   | H   | H1  | Ø P | V   | TYPE | Weight (kg) |
|-------------|------|---------|-----|-----|-----|-----|-----|-----|------|-------------|
| 50 - 2"     | 42,0 | 4 x Ø18 | 125 | 80  | 236 | 161 | 150 | 148 | F07  | 9,19        |
| 65 - 2 1/2" | 44,7 | 4 x Ø18 | 145 | 82  | 250 | 175 | 150 | 148 | F07  | 9,87        |
| 80 - 3"     | 45,2 | 4 x Ø18 | 160 | 95  | 256 | 181 | 150 | 148 | F07  | 10,17       |
| 100 - 4"    | 52,1 | 4 x Ø23 | 190 | 114 | 275 | 200 | 150 | 148 | F07  | 12,19       |
| 125 - 5"    | 54,4 | 4 x Ø27 | 220 | 127 | 288 | 213 | 300 | 148 | F07  | 18,07       |
| 150 - 6"    | 55,8 | 4 x Ø27 | 250 | 139 | 301 | 226 | 300 | 148 | F07  | 19,87       |
| 200 - 8"    | 60,6 | 4 x Ø27 | 310 | 175 | 345 | 260 | 300 | 238 | F10  | 30,61       |
| 250 - 10"   | 65,6 | 4 x Ø30 | 370 | 203 | 377 | 292 | 300 | 238 | F10  | 35,05       |
| 300 - 12"   | 76,9 | 4 x Ø30 | 430 | 242 | 422 | 337 | 300 | 238 | F10  | 46,81       |

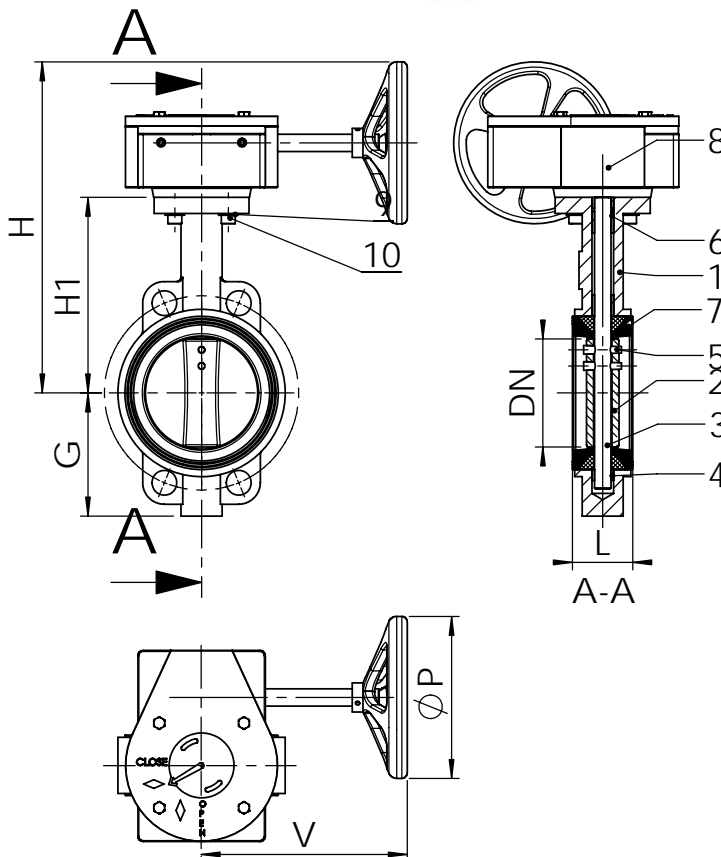
### WORKING CONDITIONS

Maximum working pressure : 25 bar.

Maximum temperature : -15°C / +130°C.

Peak temperature : -30°C / +150°C.

| Tightness in option | Maximum temperature | Peak temperature |
|---------------------|---------------------|------------------|
| EPDM                | +4°C / +110°C       | -20°C / +130°C   |
| CSM (Type Hypalon®) | +4°C / +80°C        | -20°C / +110°C   |
| FPM (Type Viton®)   | -10°C / +170°C      | -20°C / +200°C   |
| Silicone            | -20°C / +170°C      | -40°C / +200°C   |
| Nitrile (NBR)       | -10°C / +80°C       | -20°C / +90°C    |



### STANDARDS

Face to face according to standard NF EN 558-1 serie 20, ISO 5752 serie 20, DIN 3202.

Mounting between flanges PN25 according to EN 1092-2.

Pressure test according to standards EN 12266-1, DIN 3230, BS 6755 and ISO 5208 :  
Body : 37,5 bar.  
Seat : 27,5 bar.

**TECOFI France** - 83, Rue Marcel Mérieux 69960 Corbas - FRANCE  
Tél. +33 (0) 4 72 79 05 79 - Fax +33 (0) 4 78 90 19 19 / +33 (0) 4 72 79 05 70  
Adresses e-mail : sales@tecofi.fr ; tecofi@tecofi.fr / Site web : [www.tecofi.fr](http://www.tecofi.fr)