

BUTTERFLY VALVE WITH GEARBOX

TECHNICAL PASSPORT

**BUTTERFLY VALVE - DUCTILE IRON BODY
WITH HANDLE - BETWEEN FLANGES PN25**

VP 4458-08

APPLICATION

VP butterfly valves are intended for ON/OFF or control use in fluid transfer circuits.

- **Area of use:** water treatment, pumpage, irrigation, industry.



- **Fluids :** cold water, hot water, lightly charged water, liquid discharges, compressed air, alkalis, sodium hydroxide, etc.
«Not suitable for steam application»



GENERAL CHARACTERISTICS

Range : from DN200 to DN300.

- Design according to NF EN 593.
- Type with smooth ears
- Sealing in both directions of circulation of the piping.
- Soft sleeve guaranteeing a perfect tightness.
- Extended neck compatible with pipe lapping
- Disc profiled and reduced in thickness
- Reduced maneuvering torque.
- Coupling stem on disc assembled by conical pin.
- Reduced head losses.
- With manual gearbox.
- ISO 5211 mounting plate.

STANDARDS

Design	Manufacture according to the requirements of the European directive 2014/68/UE «Equipment under pressure»: modulate H.
Face to face	Face to face according to standards NF EN 558-1 série 20, ISO 5272 série 20, DIN 3202.
Connection	Mounting between flanges ISO PN25 according to EN1092-2.
Tests	Pressure test according to standards EN12266-1, DIN 3230, BS 5154 and ISO 5208: -Body : 37.5 bar -Seat : 27.5 bar

PRODUCT APPROVALS



Tecofi France

83 rue Marcel Mérieux - 69960 Corbas
Tél. +33 (0)4 72 79 05 79 - Fax. +33 (0)4 78 90 19 19
E-mail : sales@tecofi.fr - www.tecofi.fr

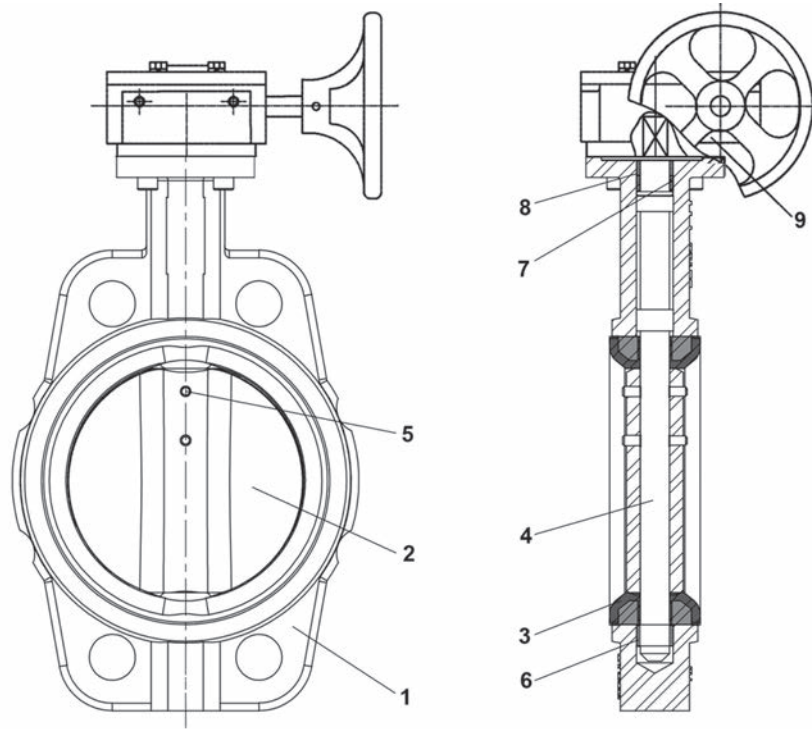


BUTTERFLY VALVE WITH GEARBOX

TECHNICAL PASSPORT

VP 4458-08

CONSTRUCTION



Oven backed epoxy coated body RAL 5019 thickness 150μ

Pos.	Q-ty	Description	Material	Equivalences		
				DIN	ASTM	BS
1	1	Body	Ductile iron EN-GJS-500-7	GGG50	A536 80-55-06	EN-JS1050
2	1	Disc	Ductile iron EN-GJS-500-7	GGG50	A536 80-55-06	EN-JS1050
3	1	Sleeve	Heat EPDM			
4	1	Stem	Stainless steel 431			
5	2	Pin	Stainless steel 410	X12Cr13		
6	2	Bushing	Plastic + fiber			
7	2	Bushing	Plastic + fiber			
8	1	O ring	NBR			
9	1	Gearbox	Ductile iron			

Tecofi France

83 rue Marcel Mérieux - 69960 Corbas
 Tél. +33 (0)4 72 79 05 79 - Fax. +33 (0)4 78 90 19 19
 E-mail : sales@tecofi.fr - www.tecofi.fr

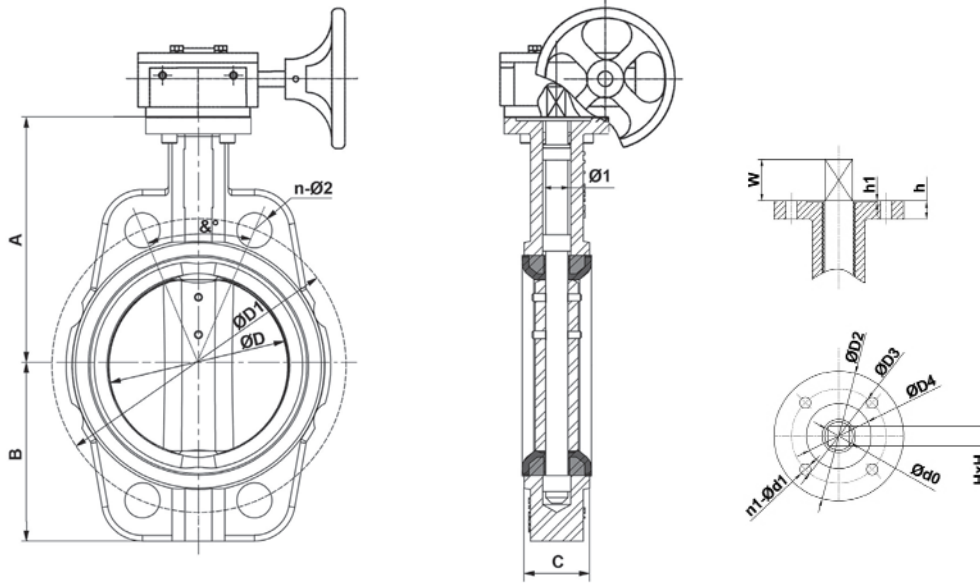


BUTTERFLY VALVE WITH GEARBOX

TECHNICAL PASSPORT

VP 4458-08

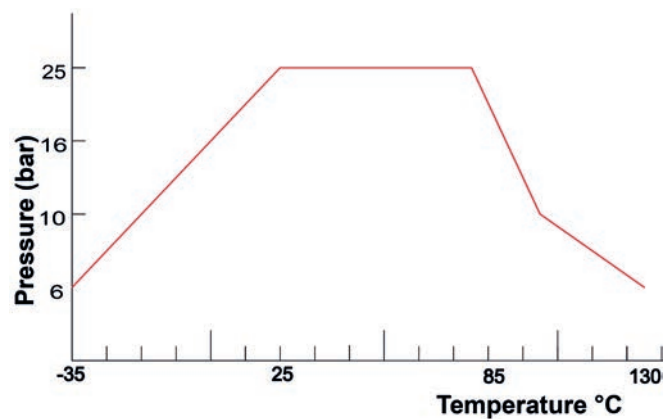
DIMENSIONS



DN		A	B	C	ØD	ØD1	n-Ø2	&°	Ø1	TOP FLANGE DIMENSIONS										Weight (kg)	
mm	inch									ISO	W	h	h1	n1-Ød1	ØD2	ØD3	ØD4	Ød0	HxH		Torque* (Nm)
125	5"	190	135	56	123,4	220	8-Ø28	45°	18.92	F07	32	13	3	4-Ø10	90	70	55	18.9	14*14	95	11.2
150	6"	211	147	56	155,8	250	8-Ø28	45°	18.92	F07	32	14	3	4-Ø10	90	70	55	18.9	14*11	149	13.1
200	8"	235	179	60	202.5	310	12-Ø28	30°	22.1	F10	35	16	3	4-Ø12	125	102	70	22.1	17*17	297	23.2
250	10"	265	203	68	250.5	370	12-Ø31	30°	48.5	F10	35	16	3	4-Ø12	125	102	70	28.5	22*22	432	30.0
300	12"	305	242	78	301.6	430	16-Ø31	5°	31.6	F12	35	16	3	4-Ø14	150	125	85	31.6	22*22	662	49.3

* - Values without safety factor.

EPDM PRESSURE/TEMPERATURE GRAPH



WORKING CONDITIONS

Maximum working pressure : 25 bar
 Maximum working temperature : -15°C / +130°C
 Peak temperature : -30°C / +150°C

Tecofi France

83 rue Marcel Mérieux - 69960 Corbas
 Tél. +33 (0)4 72 79 05 79 - Fax. +33 (0)4 78 90 19 19
 E-mail : sales@tecofi.fr - www.tecofi.fr

