

BUTTERFLY VALVE TECFLON WITH GEAR BOX

TECHNICAL PASSPORT

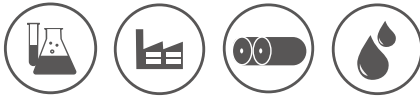
BUTTERFLY VALVE TECFLON- DUCTILE IRON BODY WITH GEAR BOX - BETWEEN FLANGES

VP4449R-08PTFE

APPLICATION

TECFLON butterfly valves are intended for ON/OFF or control use in fluid transfer circuits.

- **Area of use:** ingeneering, chemical and petrochemical industry, sewage treatment plants.



- **Fluids :** waste water, liquid waste, corrosive products, hydrocarbons, etc.
«Not suitable for steam application»



GENERAL CHARACTERISTICS

Range : from DN125 to DN300.

- Type with smooth ears
 - Sealing in both directions of circulation of the piping.
 - PTFE sleeve with viton backup pad.
 - Extended neck compatible with pipe lapping
 - PTFE coated disc profiled and reduced in thickness
 - Reduced maneuvering torque.
 - Reduced head losses.
- Operated by manual gear box.

STANDARDS

Design	Manufacture according to the requirements of the European directive 2014/68/UE «Equipment under pressure»: modulate H.
Face to face	Face to face according to standards NF EN 558-1 série 20, ISO 5272 série 20, DIN 3202.
Connection	Mounting between flanges ISO PN10/16 from DN125 to DN150 and PN10 from DN200 to DN300 according to EN1092-2, BS450,AISI B16.1-5. Adjustable between flanges ASME B16.5 Classe 150.
Tests	Pressure test according to standards EN12266-1, DIN 3230, BS 5154 and ISO 5208: -Body : WP x 1.5 bar -Seat : WP x 1.1 bar

PRODUCT APPROVALS



Tecofi France

83 rue Marcel Mérieux - 69960 Corbas
Tél. +33 (0)4 72 79 05 79 - Fax. +33 (0)4 78 90 19 19
E-mail : sales@tecofi.fr - www.tecofi.fr

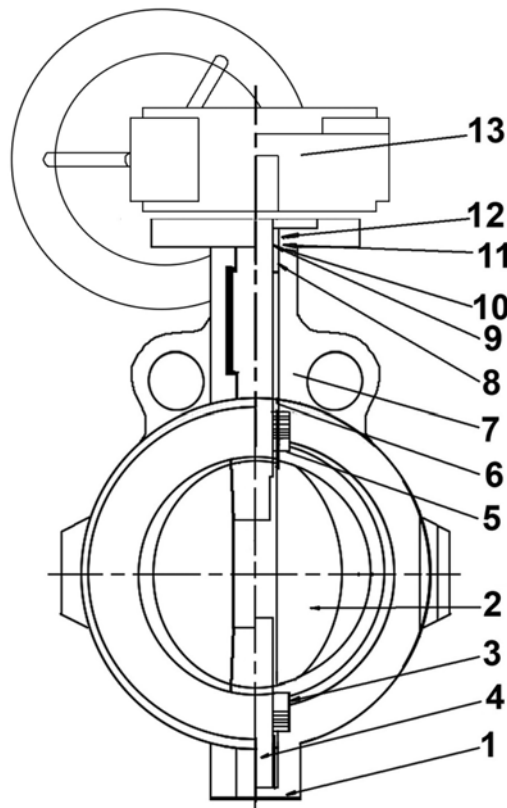


BUTTERFLY VALVE TECFLON WITH GEAR BOX

TECHNICAL PASSPORT

VP4449R-08PTFE

CONSTRUCTION



Oven backed epoxy coated body RAL 5019 thickness 250μ

Pos.	Description	Material	Equivalences		
			DIN	ASTM	BS
1	Body	Ductile iron EN-GJS-500-7	GGG50	A536 65-70-50-05	1563 EN-JS1050
2	Disc	Stainless steel CF8M + PTFE			
3	Sleeve	PTFE + FPM (Viton®)			
4	Stem	Stainless steel 316			
5	Joint	FRP (Fiber reinforced plastic)			
6	Bushing	FRP (Fiber reinforced plastic)			
7	Body	Ductile iron EN-GJS-500-7	GGG50	A536 65-70-50-05	1563 EN-JS1050
8	Bushing	FRP (Fiber reinforced plastic)			
9	Ring	Steel			
10	Stem circlip	Steel			
11	Ring	Steel			
12	Circlip	Steel			
13	Gear box				

Tecofi France

83 rue Marcel Mérieux - 69960 Corbas
 Tél. +33 (0)4 72 79 05 79 - Fax. +33 (0)4 78 90 19 19
 E-mail : sales@tecofi.fr - www.tecofi.fr

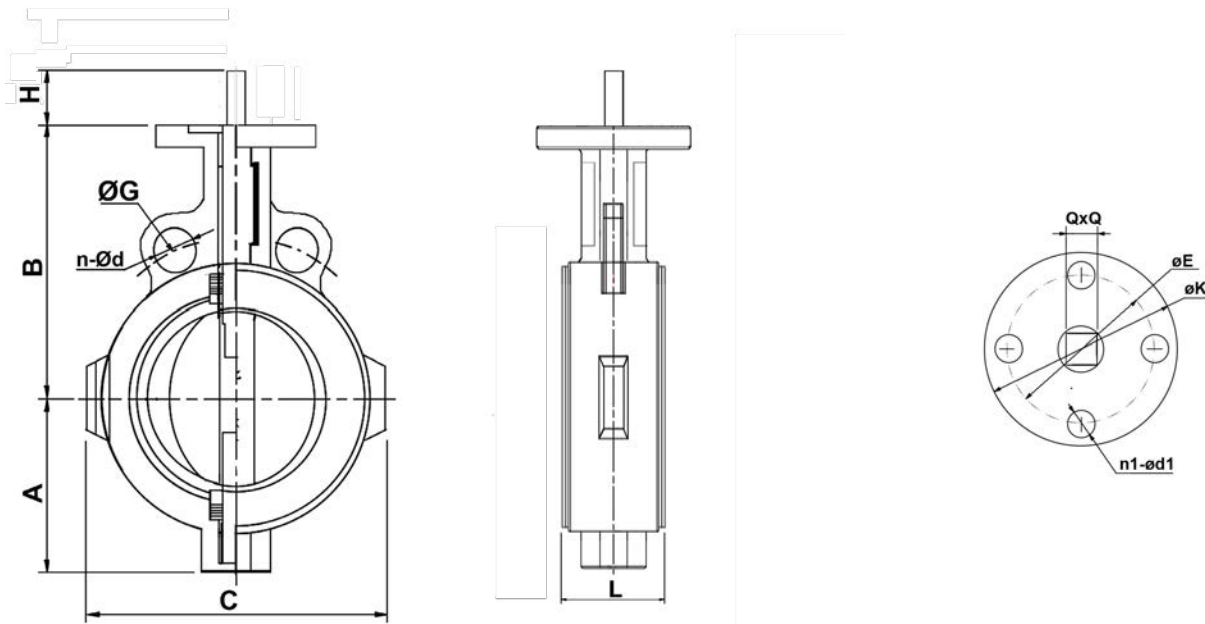


BUTTERFLY VALVE TECFLON WITH GEAR BOX

TECHNICAL PASSPORT

VP4449R-08PTFE

DIMENSIONS



DN		A	B	C	L	H	Embase				ØG	n-Ød	Q	Torque Nm	Weight (kg)
mm	inch						ISO	K	E	n1-Ød1					
125	5"	122	180	202	59	32	F07	90	70	4-Ø10	210	8-Ø19	14	110	10.93
150	6"	134	186	231	59	32	F07	90	70	4-Ø10	240	8-Ø22	14	150	11.8
200	8"	165	234	283.5	63	32	F10	125	102	4-Ø12	295	8-Ø22	17	300	19.8
250	10"	194	273	340	76	45	F10	125	102	4-Ø12	355	12-Ø22	22	400	28
300	12"	224	302	396	81	45	F10	125	102	4-Ø12	410	12-Ø22	22	550	42.6

The photographs and technical art works are not contractual. The specifications of the presented products are open to modifications without previous advice.

Tecofi France

83 rue Marcel Mérieux - 69960 Corbas
 Tél. +33 (0)4 72 79 05 79 - Fax. +33 (0)4 78 90 19 19
 E-mail : sales@tecofi.fr - www.tecofi.fr

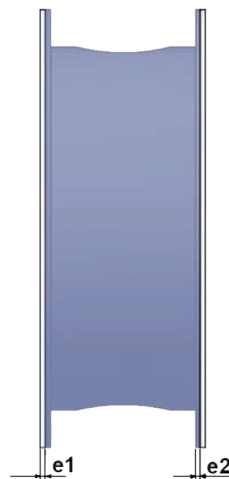
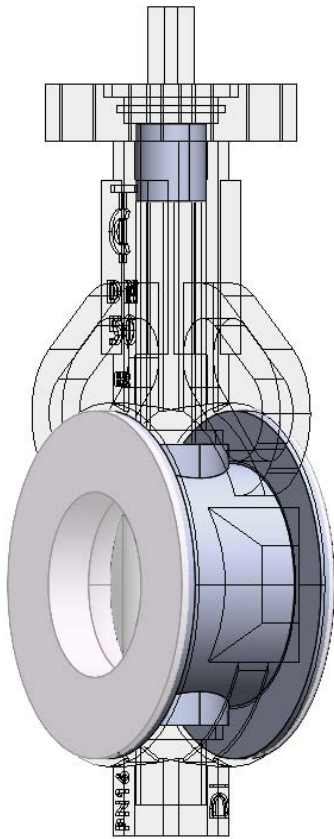


BUTTERFLY VALVE TECFLON WITH GEAR BOX

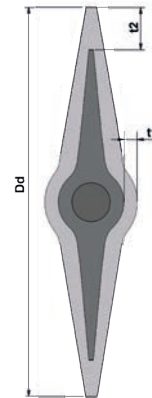
TECHNICAL PASSPORT

VP4449R-08PTFE

DIMENSIONS



SLEEVE



DISC

DN		PTFE thickness e1	Viton thickness e2	Minimum thickness t1	Maximum thickness t2	Dd	Maximum possible vacuum (kPa)	KVs (m ³ /h)
mm	inch							
125	5"	2.4	2.6	5.5 ± 0.5	13 ± 0.5	125.4	30	1000
150	6"	2.4	2.6	6 ± 0.5	14 ± 0.5	152.7	30	1500
200	8"	2.4	2.6	6.5 ± 0.5	16 ± 0.5	196.4	20	3000
250	10"	3	3	7 ± 0.5	17 ± 0.5	245.4	10	5200
300	12"	3	3	7.5 ± 0.5	17 ± 0.5	296.4	10	8180

WORKING CONDITIONS

Maximum working pressure : 16 bar from DN125 to DN150
10 bar from DN200 to DN300

Maximum working temperature : -20°C / +190°C

Tecofi France

83 rue Marcel Mérieux - 69960 Corbas
Tél. +33 (0)4 72 79 05 79 - Fax. +33 (0)4 78 90 19 19
E-mail : sales@tecofi.fr - www.tecofi.fr

