

PTFE WAFER BUTTERFLY VALVE

VP 4449-02PTF



APPLICATION

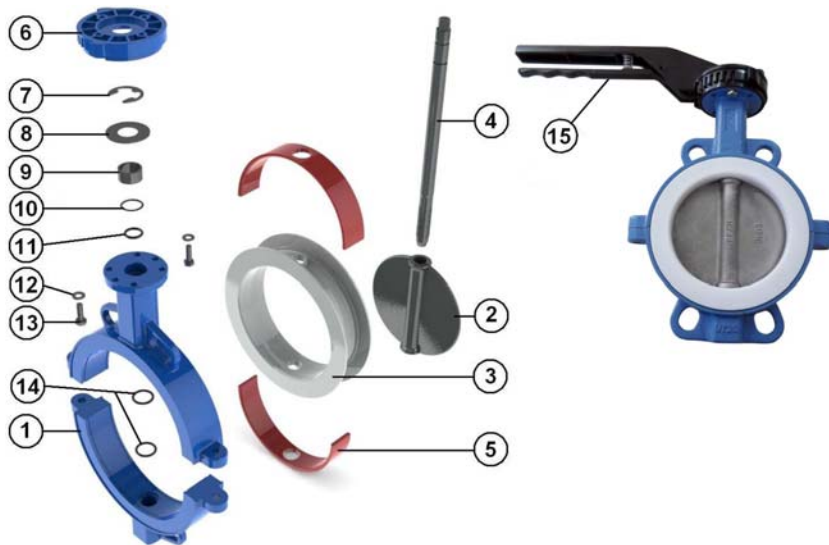
General use : for corrosive fluids (acids ...)

GENERAL CHARACTERISTICS

From DN32/40 to DN200.
 Long neck for isolation
 ISO 5211 mounting pad, wafer type.
 2 parts body, Full crossing stem.
 PTFE sealing ring 3 mm thickness
 with silicone elastic gasket 6 mm thickness.
 Rilsan coated body color RAL 5024 ,
 250-300 microns thickness
 9 positions handle, with locking device.

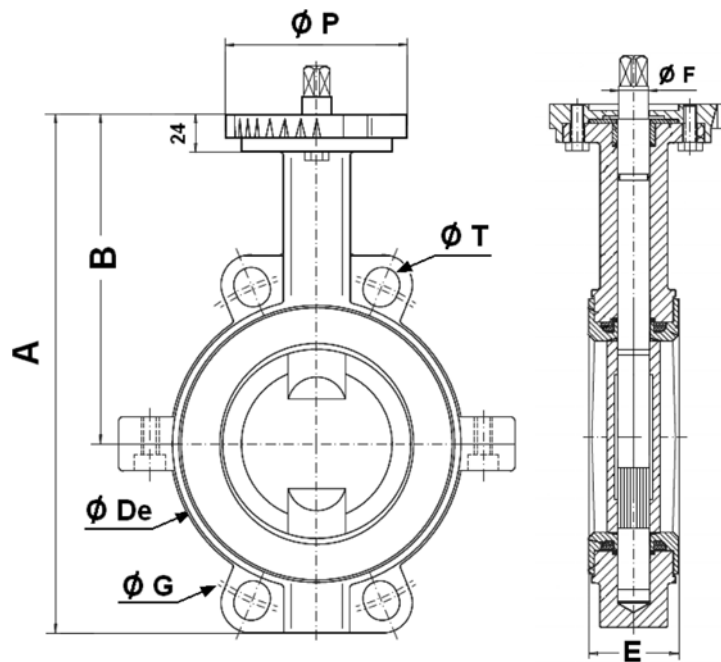
CONSTRUCTION

15	Level	Aluminium
14	O ring	FKM
13	Plate screw	A4
12	Washer	Stainless steel 316
11	O ring	FKM
10	O ring	FKM
9	Socket	Stainless steel 316
8	Ring	Stainless steel 316
7	Circlips	Stainless steel 316
6	Plate	Aluminium
5	Insert manchette	Silicone
4	Stem	Stainless steel 316
3	Sleeve	PTFE
2	Disc	Stainless steel 316 ASTM A351 CF8M
1	Body	Ductile iron EN-GJS-500-7
Pos.	Description	Material



DIMENSIONS

DN		A	B	ØDe	E	ØF	ØG	ØP	ØT	Weight (kg)
mm	inch									
32/40	1"1/2	205	140	83	33	10.5	110	88	18	2.5
50	2"	226	156	103	43	10.5	125	88	18	4.0
65	2"1/2	242	161	117	46	14.5	145	88	18	4.57
80	3"	262	167	134	46	16.5	160	88	18	5.18
100	4"	290	184	150	52	16.5	180	88	18	6.5
125	5"	326	207	185	56	18.5	210	105	18	9.5
150	6"	348	215	205	56	18.5	240	105	23	10.37
200	8"	438	257	270	60	22.5	295	105	23	16.8



WORKING CONDITIONS

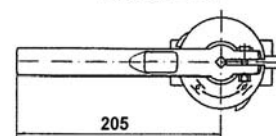
Maximum working temperature : -25°C / 200°C
 Maximum working pressure: 16 bar from DN32/40 to DN150
 10 bar for DN200

STANDARDS

Fabrication according to ISO 9001:2008.
 Tests according to ISO 5208, A class.
 Between flanges according to EN 1092-1 PN16 from DN32/40 to DN150
 and PN10 for DN200; suitable for flanges ANSI 150 PN20 from DN40 to DN300.
 Face to face according to ISO 5752 short series 20, EN 558 series 20
 (NF 29305), BS 5155 Wafer short/medium, DIN 3202 part 3, series K1.

Handle types

DN32/40 - 100



DN 125 - 200

