

Ref. : VP 4448-00.pas

Rev. : E

Date : 16/04/2014

Page : 1/1

WAFER TYPE BUTTERFLY VALVE BARE SHAFT TECLARGE

VP 4448-00



Tecofi
VALVE DESIGNER - FRANCE

APPLICATION

General use : water, sludge, etc.

GENERAL CHARACTERISTICS

Design in accordance with NF EN 593.

Tightness in both ways, NF EN 12266-1, ISO 5208, DIN 3230.

Two kinds of sleeve:

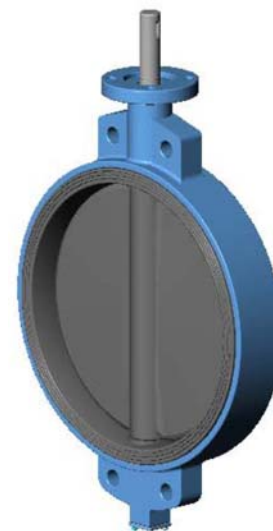
In dovetail shape ensures a perfect assembling (DN350-400)

Sleeve internally reinforced in aluminium giving a low torque.

Stem: crossing stem (DN350-600) or half stem high and low for upper DN.

Self lubricant bearing in copper alloy.

Supplementary tightness on stem by o'rings.



CONSTRUCTION

5	1	Bottom cover	Cast iron EN-GJL-250	DIN: GG25 ASTM: A48 class 40B BS: 1452 Grade 250
4	1	Stem	Stainless steel 410	DIN: 1.4006 ASTM: AISI 410 BS: 410 S 21
3	1	Sleeve	Heat EPDM	
2	1	Disc	Ductile iron EN-GJS-400-15	DIN: GGG 40 ASTM: A536 65-45-12 BS: EN-JS1030
1	1	Body	Ductile iron EN-GJS-400-15	DIN: GGG 40 ASTM: A536 65-45-12 BS: EN-JS1030
Pos.	Qty.	Description	Material	

DIMENSIONS

DN		Upper flange				Valve dimensions						
mm	inch	ISO	ØD	Ø D1	n x Ø N	G	H	L	PN16			
									Ø K	n' x Ø L	Weight (kg)	
350	14"	F10	125	102	4 x Ø12	267	368	78(92)*	470	4 x Ø28	43	
400	16"	F14	175	140	4 x Ø18	309	400	102	525	4 x Ø31	53	
450	18"	F14	175	140	4 x Ø18	328	422	114	585	4 x Ø31	75	
500	20"	F14	175	140	4 x Ø18	361	480	127	650	4 x Ø34	125	
600	24"	F16	210	165	4 x Ø23	459	562	154	770	4 x Ø37	190	
700	28"	F25	300	254	8 x Ø18	520	624	165	840	4 x Ø37	284	
800	32"	F25	300	254	8 x Ø18	591	672	190	950	4 x Ø41	368	
900	36"	F25	300	254	8 x Ø18	672	720	203	1050	4 x Ø41	754	
1000	40"	F25	300	254	8 x Ø18	719	800	216	1170	4 x M39	925	
1200	48"	F30	350	298	8 x Ø23	863	900	254	1390	8 x M45	1374	

* L = 92 on request

PRESSURE TEMPERATURE RATING

Maxi working pressure: 16 bar.

Maxi temperature: -15 °C / +130 °C.

Peak temperature : -30°C / + 150°C.

STANDARDS

Pressure test according to standards

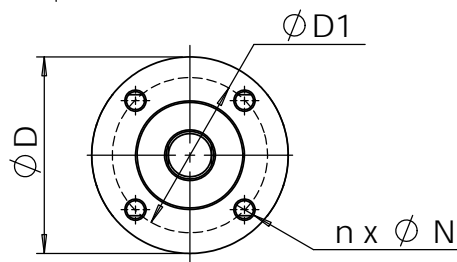
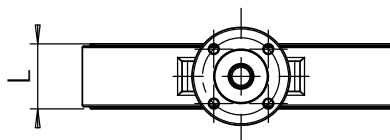
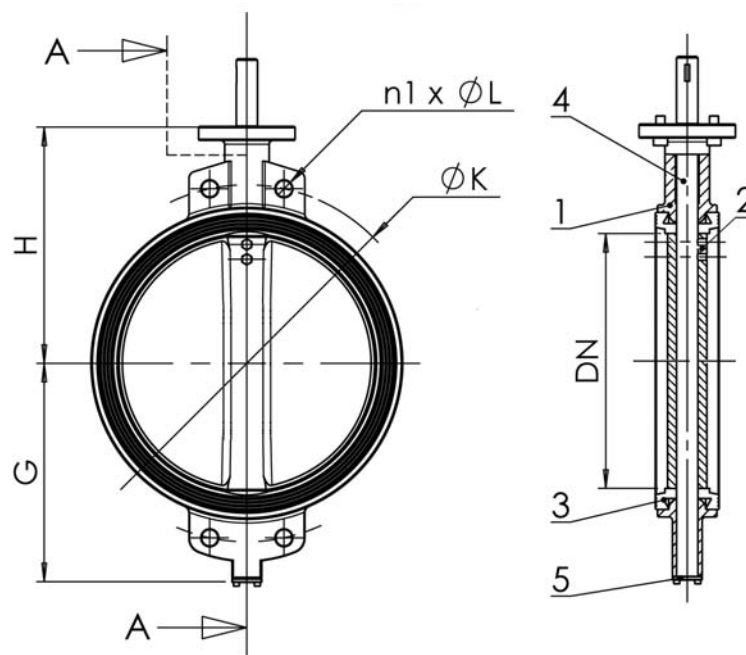
EN 12266-1, DIN 3230, BS 5154 and ISO 5208 :

Body : 24 bar.

Seat : 17.6 bar.

Face to face according to standard EN 558-1 serie 20, ISO 5752 serie 20 and DIN 3202.

Wafer type ISO PN16 connections according to standard EN 1092-2.



Normalized base according to ISO 5211.

TECOFI France - 83, Rue Marcel Mérieux 69960 Corbas - FRANCE
Tél. +33 (0) 4 72 79 05 79 - Fax +33 (0) 4 78 90 19 19 / +33 (0) 4 72 79 05 70
Adresses e-mail : sales@tecofi.fr ; tecofi@tecofi.fr / Site web : www.tecofi.fr