

Ref. : VP 4442-08.pas

Rev. : D

Date : 03/02/2015

Page : 1/1

WAFFER TYPE BUTTERFLY VALVE WITH GEAR BOX TECLARGE PN16 VP 4442-08



Tecofi

VALVE DESIGNER - FRANCE

APPLICATION

General use : water, sludge, etc.

GENERAL CHARACTERISTICS

Design in accordance with NF EN 593.
Tightness in both ways, NF EN 12266-1, ISO 5208, DIN 3230.
Sleeve internally reinforced in aluminium giving a low torque.
Crossing stem.
Self lubricant bearing in copper alloy.
Supplementary tightness on stem by o'rings.
Dovetail type sleeve.



CONSTRUCTION

6	1	Gear box		
5	1	Bottom cover	EN-GJL-250	DIN: GG25 ASTM: A48 class 40B BS: 1452 Grade 250
4	1	Stem	Stainless steel 410	DIN: 1.4006 ASTM: AISI 410 BS: 410 S 21
3	1	Sleeve	Heat EPDM	
2	1	Disc	CuAl10Ni5Fe4	
1	1	Body	EN-GJS-400-15	DIN: GGG 40 ASTM: A536 65-45-12 BS: EN-JS1030
Pos.	Qty.	Description	Material	

DIMENSIONS

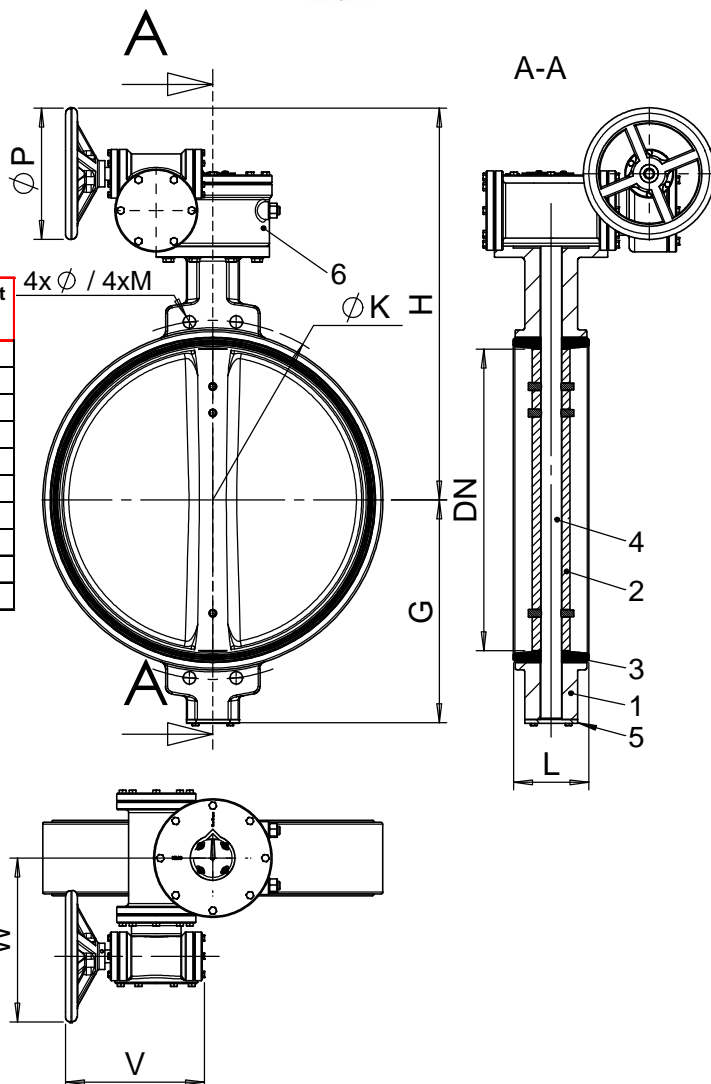
DN		ISO	G	H	L	Ø K	4xØ 4xM	V	W	Ø P	Weight (kg)
mm	inch										
350	14"	F10	267,8	353	75,6	460	4 x Ø22	226	-	300	55,4
400	16"	F14	320,5	383	97	515	4 x Ø28	420	310	300	78,8
450	18"	F14	346	422	105	565	4 x Ø28	420	310	300	105,2
500	20"	F14	371	484	128	620	4 x Ø28	460	385	400	171,5
600	24"	F16	450	557	152	725	4 x Ø31	520	385	400	260,1
700	28"	F25	520	624	163	840	4 x M27	580	453	450	422
800	32"	F25	609	672	188	950	4 x M30	580	453	450	506
900	36"	F25	672	720	203	1050	4 x M30	660	516	500	1024
1000	40"	F25	719	802	215	1160	4 x M33	660	516	500	1195
1200	48"	F30	863	942	276	1380	4 x M36	713	725	550	1644

PRESSURE TEMPERATURE RATING

Maxi working pressure: 16 bar.
Working temperature : -15°C / + 130°C.
Peak température : -30°C / +150°C

STANDARDS

Pressure test according to standards EN 12266-1,
DIN 3230, BS 5154 and ISO 5208 :
Body : 24 bar.
Seat : 17,6 bar.
Wafer type ISO PN16 connections according to
standard EN 1092-2.



TECOFI France - 83, Rue Marcel Mérieux 69960 Corbas - FRANCE
Tél. +33 (0) 4 72 79 05 79 - Fax +33 (0) 4 78 90 19 19 / +33 (0) 4 72 79 05 70
Adresses e-mail : sales@tecofi.fr ; tecofi@tecofi.fr / Site web : www.tecofi.fr