

Ref. : VP 4408-BX4.pas

Rev. : G

Date : 03/02/2015

Page : 1/1

WAFER TYPE BUTTERFLY VALVE WITH "BERNARD" ELECTRIC ACTUATOR TECLARGE

VP 4408-BX4



Tecofi
VALVE DESIGNER - FRANCE

PRODUCT REFERENCE

	REFERENCES	Electric actuator type
<input type="checkbox"/>	VP4408-B04	BERNARD 400V 3 PH
<input type="checkbox"/>	VP4408-B14	BERNARD 230V 3 PH
<input type="checkbox"/>	VP4408-B24	BERNARD 230V 1 PH
<input type="checkbox"/>

APPLICATION

General use : water, sludge, etc.

GENERAL CHARACTERISTICS

Design in accordance with NF EN 593.
Tightness in both ways, NF EN 12266-1, ISO 5208, DIN 3230.
Sleeve internally reinforced in aluminium giving a low torque.
Crossing stem.
Self lubricant bearing in copper alloy.
Supplementary tightness on stem by o'rings.
Dovetail type sleeve.

CONSTRUCTION

6	1	Electric actuator		BERNARD
5	1	Bottom cover	EN-GJL-250	DIN: GG25 ASTM: A48 class 40B BS: 1452 Grade 250
4	1	Stem	Stainless steel 410	DIN: 1.4006 ASTM: AISI 410 BS: 410 S 21
3	1	Sleeve	Heat EPDM	
2	1	Disc	EN-GJS-400-15	DIN: GGG 40 ASTM: A536 65-45-12 BS: EN-JS1030
1	1	Body	EN-GJS-400-15	DIN: GGG 40 ASTM: A536 65-45-12 BS: EN-JS1030
Pos.	Qty.	Description	Material	

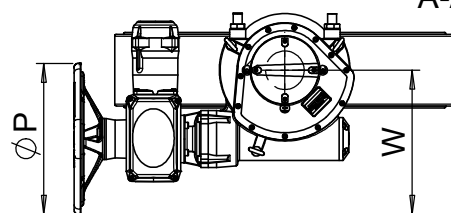
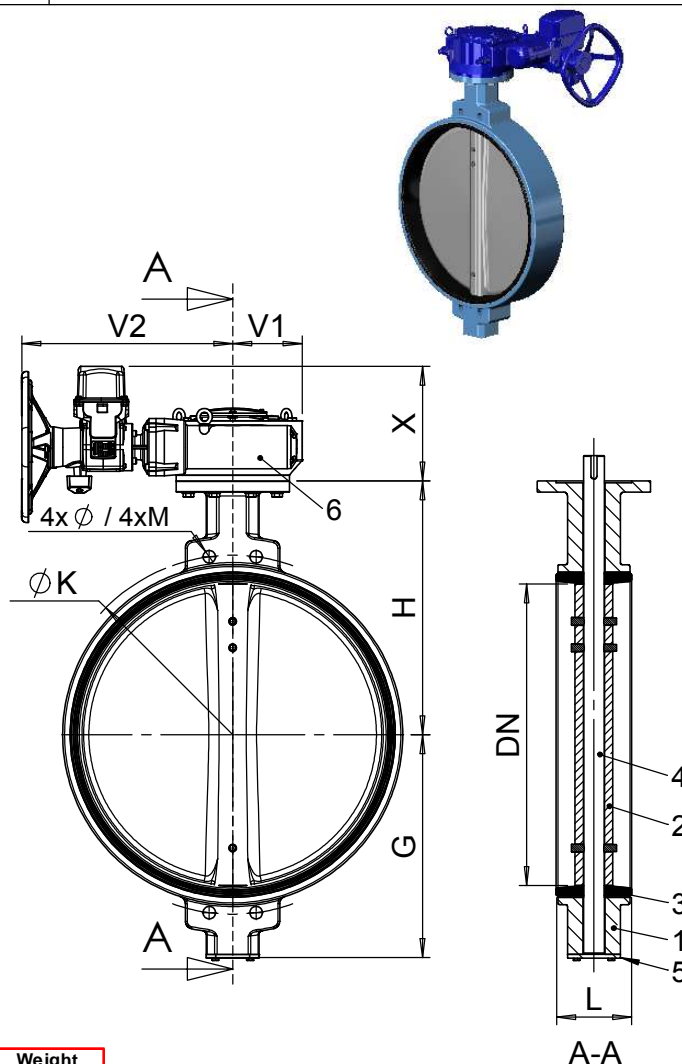
DIMENSIONS

DN		ISO	G	H	L	Ø K	4xØ 4xM	Weight (kg) VP4408-B04	Weight (kg) VP4408-B14	Weight (kg) VP4408-B24
mm	inch									
350	14"	F10	267,8	353	75,6	460	4 x Ø22	66,6	66,6	66,6
400	16"	F14	320,5	383	97	515	4 x Ø28	100	107	107
450	18"	F14	346	422	105	565	4 x Ø28	132	132	139
500	20"	F14	371	484	128	620	4 x Ø28	153	153	160
600	24"	F16	450	557	152	725	4 x Ø31	245	245	252
700	28"	F25	520	624	163	840	4 x M27	407	-	-
800	32"	F25	609	672	188	950	4 x M30	465	-	-
900	36"	F25	672	720	203	1050	4 x M30	632	632	639
1000	40"	F25	719	802	215	1160	4 x M33	790	790	797
1200	48"	F30	863	942	276	1380	4 x M36	1053	-	-

DN		Differential pressure : 10 bar					Actuator ref
mm	inch	X	P	V1	V2	W	
350	14"	208	250	340	169	226	AS 80
400	16"	283	300	114	405	236	AS 100
450	18"	281	300	188	475	333	AS 200
500	20"	281	300	188	475	333	AS 200
600	24"	281	300	148	497	338	AS 400
700	28"	303	400	184	558	382	AS 600
800	32"	303	400	184	558	382	AS 600
900	36"	381	300	184	596	332	AS1000
1000	40"	381	300	184	596	332	AS1000
1200	48"	363	300	237	854	265	ASM1+MF40G

PRESSURE TEMPERATURE RATING

Maxi working pressure: 10 bar.
Working temperature : -15°C / +130°C.
Peak temperature : -30°C / +150°C



STANDARDS

Manufacture according to the requirements of the European directive 2014/68/UE «Equipments under pressure» : modulate H.

Pressure test according to standards EN 12266-1, DIN 3230, BS 5154 and ISO 5208 :

Body : 15,5 bar.

Seat : 11 bar.

Face to face according to standard EN 558-1 serie 20, ISO 5752 serie 20 and DIN 3202.

Wafer type ISO PN10 connections according to standard EN 1092-2.

TECOFI France - 83, Rue Marcel Mérieux 69960 Corbas - FRANCE
Tél. +33 (0) 4 72 79 05 79 - Fax +33 (0) 4 78 90 19 19 / +33 (0) 4 72 79 05 70
Adresses e-mail : sales@tecofi.fr ; tecofi@tecofi.fr / Site web : www.tecofi.fr