

DOUBLE EXCENTRIC BUTTERFLY VALVE TYPE TECWAT

TECHNICAL PASSPORT

**PN40 FLANGED DOUBLE EXCENTRIC
BUTTERFLY VALVE WITH GEAR BOX**

VP 4261-08

APPLICATION

Tecwat type butterfly valves are intended to be used for ON/OFF operations in fluid transfer circuits.

Area of use: water networks, production plants, pumping stations, fire circuits on industrial site, etc.



Fluids: water, drinking water.

GENERAL CHARACTERISTICS

TECWAT model: long pattern.

-Design according to NF EN 595.

Range: from DN200 to DN1200.

-Bi-directional sealing with a preferred mounting direction indicated by the arrow on the body.

-Pinned stem/disc connection.

-Double eccentric butterfly valve prevents wear due to the stainless steel seat attached to the body.

-Seal on disc retained by a stainless steel retaining ring.

-Optimized maneuvering torque.

-Low pressure drop.

-Operating by IP65 gear box



ACS

STANDARDS

Design	Complies with standard EN 593
Face to face	Face to face according to standard NF EN 5752 série 14.
Connection	ISO PN40 flange mounting according to standard EN1092-2.
Tests	Hydraulic tests carried out according to the standard EN12266-1: -Body : 60 bar -Seat : 44 bar

PRODUCT APPROVALS



Certificat WRAS n° 1607394



Attestation of health conformity n° 19 ACC LY 582



Tecofi France

83 rue Marcel Mérieux - 69960 Corbas

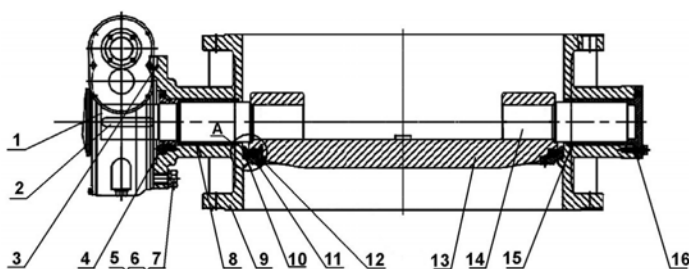
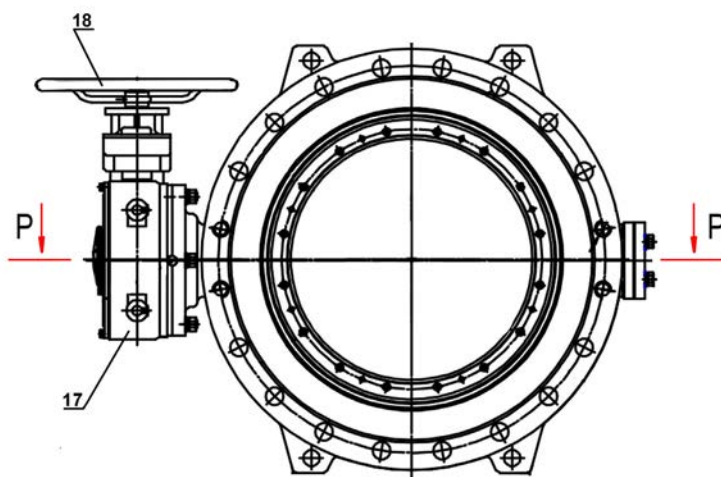
Tél. +33 (0)4 72 79 05 79 - Fax. +33 (0)4 78 90 19 19

E-mail : sales@tecofi.fr - www.tecofi.fr



DOUBLE EXCENTRIC BUTTERFLY VALVE TYPE TECWAT

CONSTRUCTION



SECTION P-P

VIEW A

Rep.	Désignation	Matière	Equivalences		
			DIN	ASTM	BS
1	Upper shaft	Stainless steel X20Cr13	1.4021	AISI 420	420 S 37
2	Key	Stainless steel X20Cr13	1.4021	AISI 420	420 S 37
3	Locking pin	Stainless steel X20Cr13	1.4021	AISI 420	420 S 37
4	Packing gland	Ductile iron			
5	Screw	Stainless steel A2-70			
6	Gasket	Stainless steel A2			
7	Flexible gasket	Stainless steel 3 Cr13			
8	Shaft bush	Al-bronze			
9	Body	Fonte ductile EN-GJS-500-7	GGG 50	A536 70-50-05	1563 EN-JS1050
10	Sealing surface	Stainless steel 304			
11	Retainer	Stainless steel 304			
12	Sealing gasket	EPDM			
13	Disc	Fonte ductile EN-GJS-500-7	GGG 50	A536 70-50-05	1563 EN-JS1050
14	Lower shaft	Stainless steel X20Cr13	1.4021	AISI 420	420 S 37
15	O-ring	EPDM			
16	Cover	Ductile iron			
17	Gear box				
18	Handwheel	Cast iron	GG 25	35B	HT250

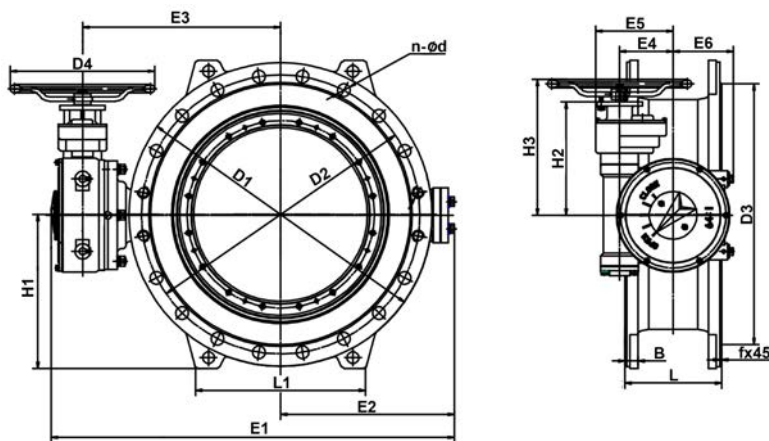
Tecofi France

83 rue Marcel Mérieux - 69960 Corbas
Tél. +33 (0)4 72 79 05 79 - Fax. +33 (0)4 78 90 19 19
E-mail : sales@tecofi.fr - www.tecofi.fr



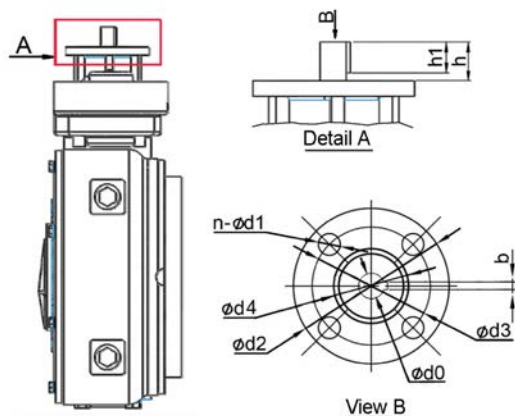
DOUBLE EXCENTRIC BUTTERFLY VALVE TYPE TECWAT

DIMENSIONS



DN		ØD1	ØD2	ØD3	B	f	L	n-Ød	H1	H2	H3	E1	E2	E3	E4	E5	E6	L1	D4	ISO 5210	Weight (kg)
mm	inch																				
200	8"	375	320	284	30	3	230	12-Ø31	192.5	178	233	603	229	309	93.4	135	115	180	320	F10	96
250	10"	450	385	345	35	3	250	8-Ø34 / 4-M30	230	192	283	712	260	369	120	169	138	200	400	F10	146
300	12"	515	450	409	40	4	270	12-Ø34 / 4-M30	262.5	317	378	795	305	408	120	186	138	240	240	F10	216
350	14"	580	510	465	44	4	290	12-Ø37 / 4-M33	295	315	376	904	360	455	148	214	166	320	400	F10	304
400	16"	660	585	535	48	4	310	12-Ø41 / 4-M36	335	315	376	1001	407	505	148	214	166	320	40	F10	405
450	18"	685	610	560	49	4	330	16-Ø41 / 4-M36	347.5	346	407	1067	429	533	185	265	196	360	400	F10	509
500	20"	755	670	610	52	4	350	16-Ø44 / 4-M39	382.5	346	407	1180	477	598	185	265	196	450	400	F10	588
600	24"	890	795	735	58	5	390	16-Ø50 / 4-M45	450	390	451	1363	555	683	230	333	232	500	400	F10	833
700	28"	995	900	840	64	5	430	20-Ø48 / 4-M45	505	507	568	1625	666	795	315	453	360	560	400	F10	1269
800	32"	1140	1030	960	72	5	470	20-Ø56 / 4-M52	575	507	568	1696	664	868	315	453	360	630	400	F10	1525
900	36"	1250	1140	1070	76	5	510	24-Ø56 / 4-M52	635	507	568	1904	785	955	315	613	360	690	400	F10	2300
1000	40"	1360	1250	1180	80	5	550	24-Ø56 / 4-M52	690	599	660	2039	837	989	412	613	440	740	400	F10	3182
1200	48"	1575	1460	1380	88	5	630	24-Ø62 / 8-M56	792.5	777	838	2595	1077	1279	495	725	544	800	600	F10	5247

TOP FLANGE ISO 5210 DIMENSIONS



DN		ISO 5210										Number of turn	Torque * (Nm)
mm	inch	ISO plate	Ød0	n-Ød1	Ød2	Ød3	Ød4	h	b	b x h1			
200	8"	F10	20	4-Ø10	125	102	70	28	6X20	12	72		
250	10"	F10	20	4-Ø10	125	102	70	30	6X25	20	73		
300	12"	F10	20	4-Ø10	125	102	70	30	6X20	80	34		
350	14"	F10	20	4-Ø10	125	102	70	30	6X25	64	60		
400	16"	F10	20	4-Ø10	125	102	70	30	6X25	64	79		
450	18"	F10	20	4-Ø10	125	102	70	30	6X25	96	83		
500	20"	F10	20	4-Ø10	125	102	70	30	6X25	96	75		
600	24"	F10	20	4-Ø10	125	102	70	30	6X25	198.9	56		
700	28"	F10	20	4-Ø10	125	102	70	30	6X25	421.4	54		
800	32"	F10	20	4-Ø10	125	102	70	30	6X25	421.4	55		
900	36"	F10	20	4-Ø10	125	102	70	30	6X25	421.4	75		
1000	40"	F10	20	4-Ø10	125	102	70	30	6X25	641.25	63		
1200	48"	F14	30	4-Ø10	175	140	100	30	6X45	559	163		

* Values without safety coefficient

Tecofi France

83 rue Marcel Mérieux - 69960 Corbas
Tél. +33 (0)4 72 79 05 79 - Fax. +33 (0)4 78 90 19 19
E-mail : sales@tecofi.fr - www.tecofi.fr



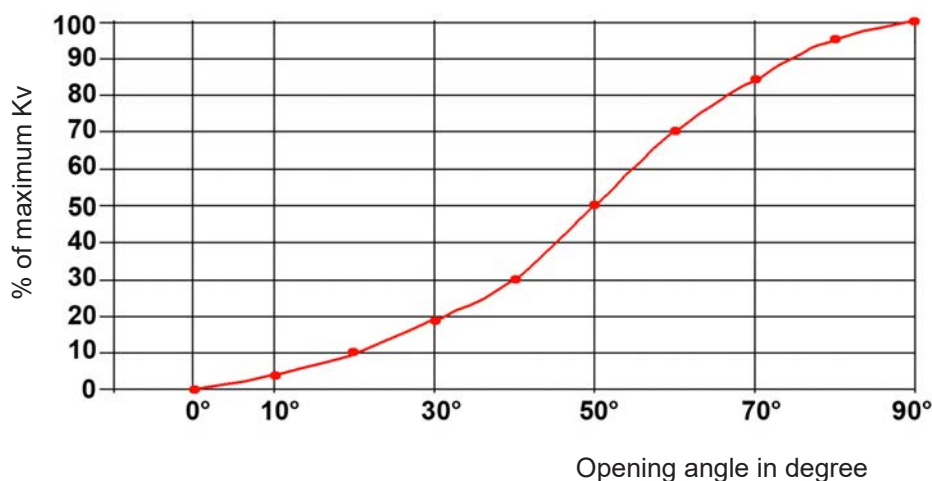
The photographs and technical art works are not contractual. The specifications of the presented products are open to modifications without previous advice

DOUBLE EXCENTRIC BUTERFLY VALVE TYPE TECWAT

WORKING CONDITIONS

Maximum working pressure : 40 bar.
Maximum working temperature : + 80 °C.

FLOW FACTOR - Kv



DN	mm	200	250	300	350	400	450	500	600	700	800	900	1000	1100	1200
	inch	8"	10"	12"	14"	16"	18"	20"	24"	28"	32"	36"	40"	44"	48"
Kvs		1880	3800	4950	8000	10900	14200	18250	28000	40500	55100	74000	93338	116213	142516

Values given for information

Tecofi France

83 rue Marcel Mérieux - 69960 Corbas
Tél. +33 (0)4 72 79 05 79 - Fax. +33 (0)4 78 90 19 19
E-mail : sales@tecofi.fr - www.tecofi.fr

