

DOUBLE EXCENTRIC BUTTERFLY VALVE TYPE TECWAT

TECHNICAL PASSPORT

**PN25 FLANGED DOUBLE EXCENTRIC
BUTTERFLY VALVE WITH ELECTRIC
ACTUATOR BERNARD**

VP 4251-B04

APPLICATION

Tecwat type butterfly valves are intended to be used for ON/OFF operations in fluid transfer circuits.

Area of use: water networks, production plants, pumping stations, fire circuits on industrial site, etc.



Fluids: water, drinking water.



GENERAL CHARACTERISTICS

TECWAT model: long pattern.

-Design according to NF EN 593.

Range: from DN100 to DN1600.

-Bi-directional sealing with a preferred mounting direction indicated by the arrow on the body.

-Pinned stem/disc connection.

-Double eccentric butterfly valve prevents wear due to the stainless steel seat attached to the body.

-Seal on disc retained by a stainless steel retaining ring.

-Optimized maneuvering torque.

-Low pressure drop.

-Operating by IP65 gear box with electric actuator BERNARD

Design	Complies with standard EN 593.
Face to face	According to standard NF EN 558 serie 14.
Connection	Flange connection ISO PN25 according to standard EN1092-2.
Tests	Hydraulic tests carried out according to the standard EN12266-1: -Body : 37.5 bar -Seat : 27.5 bar

PRODUCT APPROVALS



Certificat WRAS n° 1607394



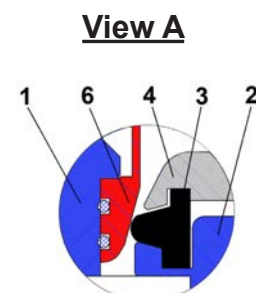
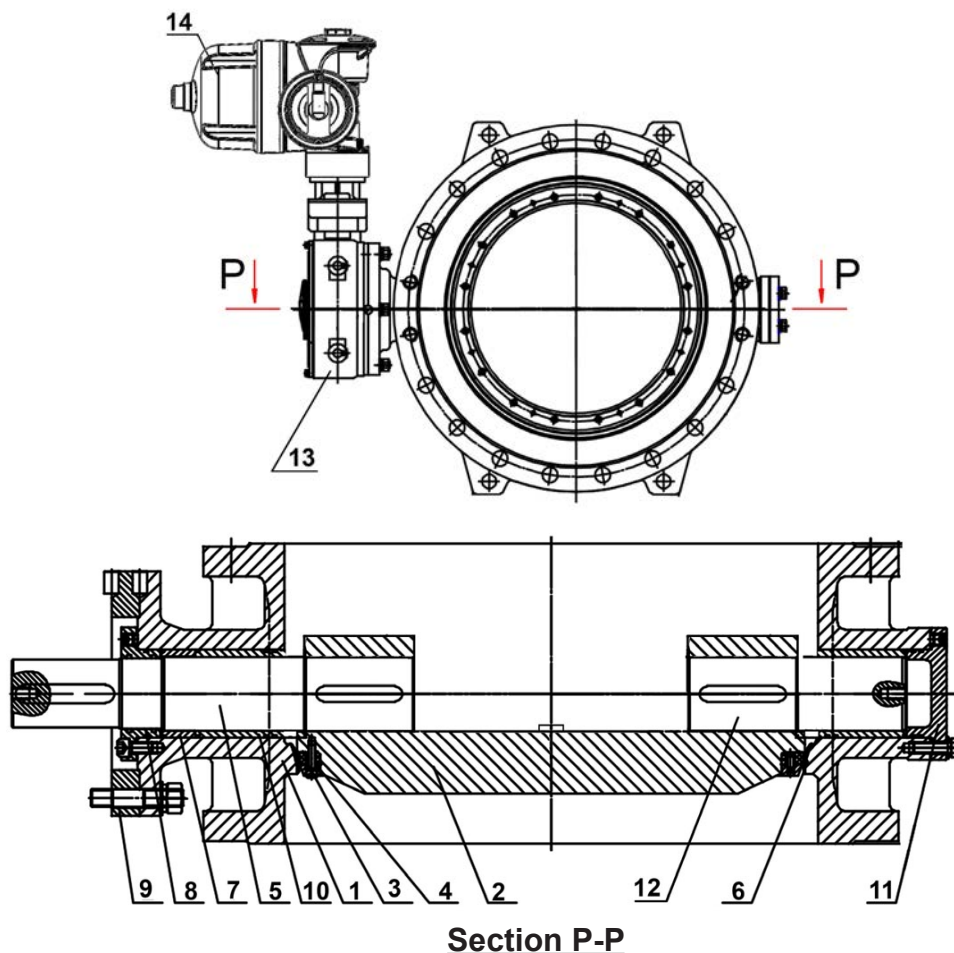
n° 19 ACC LY 582

EN 1074

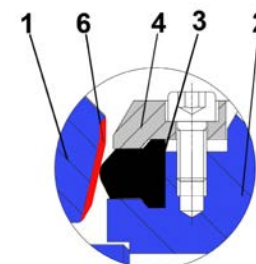


DOUBLE EXCENTRIC BUTTERFLY VALVE TYPE TECWAT

CONSTRUCTION



DN100-150

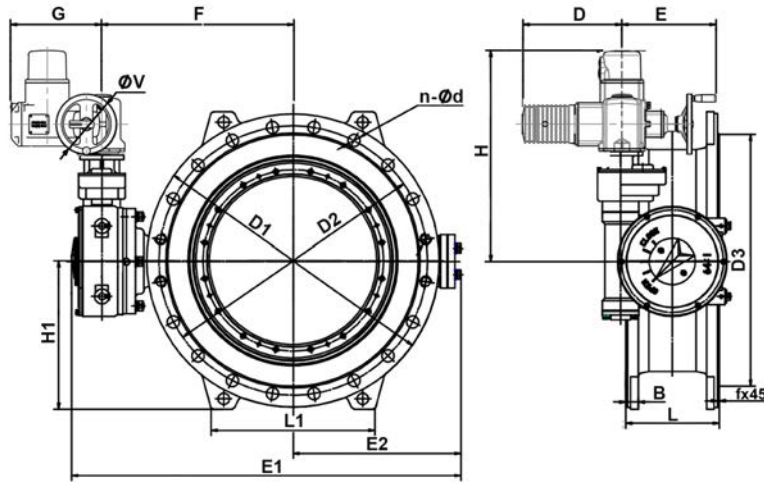


DN200-1600

Pos.	Description	Material	Equivalences		
			DIN	ASTM	BS
1	Body	Ductile iron ENGJS-500-7	GGG 50	ASTM 80-55-06	BS 500/7
2	Disc	Ductile iron ENGJS-500-7	GGG 50	ASTM 80-55-06	BS 500/7
3	Sealing gasket	EPDM			
4	Retaining ring	Stainless steel X5CrNi 18 10	X5CrNi 18 10	A 182 AISI 304	1449-2 304 S15
5	Shaft bush	Stainless steel 420	1.4021	AISI 420	420 S 37
6	Body seal ring	Stainless steel X5CrNi 18 10	X5CrNi 18 10	A 182 AISI 304	1449-2 304 S15
7	Bearing	Al-Bronze	G-CuAl10Fe	C95200	ZCuAl10Fe3
8	Packing gland	Ductile iron	GGG 50	ASTM 80-55-06	BS 500/7
9	Mounting flange	Steel Q235B	EN 10025-2	ASTM A36	S235JR
10	Adjusting bushing	Al-Bronze	G-CuAl10Fe	C95200	ZCuAl10Fe3
11	Cover	Ductile iron ENGJS-500-7	GGG 50	ASTM 80-55-06	BS 500/7
12	Lower shaft	Stainless steel 420	1.4021	AISI 420	420 S 37
13	Gear box	Ductile iron			
14	Electric actuator	BERNARD			

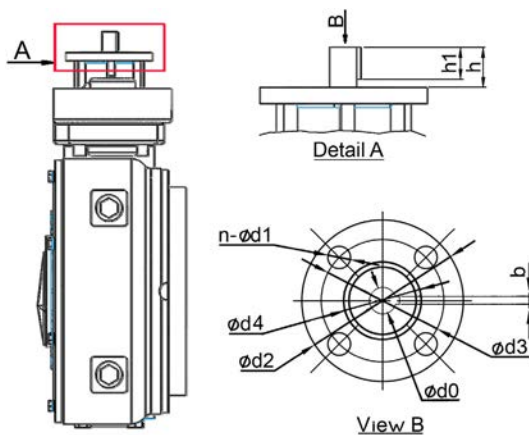
DOUBLE EXCENTRIC BUTTERFLY VALVE TYPE TECWAT

DIMENSIONS



DN		ØD1	ØD2	ØD3	B	f	L	n-Ød	H	H1	D	E	E1	E2	F	G	L1	Actuator reference	ØV	Weight (kg)
mm	inch																			
100	4"	235	190	156	19	3	190	8-Ø23	-	117	388	326	284	133	194	315	150	AT3_	160	59
150	6"	300	250	211	20	3	210	8-Ø28	-	147.5	388	326	315	164	225	315	180	AT6L	160	76
200	8"	360	310	274	22	3	230	12-Ø28	425	175	388	326	526	198	272	315	196	AT6_	160	102
250	10"	425	370	330	25	3	250	12-Ø31	468	202.7	472	343	568	219	293	347	240	AT14_	160	158
300	12"	485	430	389	28	4	270	12-Ø31	468	227.5	472	343	670	254	351	347	275	AT14_	160	228
350	14"	555	490	448	30	4	290	16-Ø34	482	257.5	472	343	720	279	225	347	280	AT6_	160	246
400	16"	620	550	503	32	4	310	16-Ø37	480	287.5	472	343	834	320	351	347	310	AT14_	160	378
450	18"	670	600	548	34.5	4	330	20-Ø37	607	312.5	472	343	903	359	462	347	340	AT14_	160	446
500	20"	730	660	609	37	4	350	20-Ø37	605	340	472	343	988	393	513	347	370	AT14_	160	586
600	24"	845	770	720	42	5	390	20-Ø41	605	395	472	343	1119	450	580	347	430	AT14_	160	735
700	28"	960	875	820	46.5	5	430	24-Ø44	662	452.5	472	343	1217	530	598	347	480	AT14_	160	1123
800	32"	1085	990	928	51	5	470	24-Ø50	636	512.5	472	343	1410	614	691	347	560	AT14_	160	1373
900	36"	1185	1090	1028	55.5	5	510	28-Ø50	680	562.5	472	343	1530	675	750	347	615	AT14_	160	2043
1000	40"	1320	1210	1140	60	5	550	24-Ø57/4-M52	741	620	472	343	1712	748	839	347	670	AT14_	160	2136
1200	48"	1530	1420	1350	69	5	630	32-Ø57	797	732.5	472	343	1971	865	981	347	800	AT14_	160	3071
1400	56"	1755	1640	1560	74	5	710	36-Ø62	915	842.5	572	299	2313	1011	1263	385	920	AT25_	250	4833
1600	64"	1975	1860	1780	81	5	790	36-Ø62/4-M56	915	962.5	572	299	2588	1161	1263	385	1050	AT25_	250	6752

ISO 5210 UPPER FLANGE DIMENSIONS



DN		ISO 5210							Number of turns	Torque* (Nm)	
mm	inch	ISO 5210	Ød0	n-Ød1	Ød2	Ød3	Ød4	h			bxh1
100	4"	F10	20	4-Ø10	125	102	70	28	6X20	10	14
150	6"	F10	20	4-Ø10	125	102	70	28	6X20	12	48
200	8"	F10	20	4-Ø10	125	102	70	28	6X20	12	80
250	10"	F10	20	4-Ø10	125	102	70	30	6X20	20	72
300	12"	F10	20	4-Ø10	125	102	70	30	6X25	80	29
350	14"	F10	20	4-Ø10	125	102	70	30	6X25	64	51
400	16"	F10	20	4-Ø10	125	102	70	30	6X25	64	67
450	18"	F10	20	4-Ø10	125	102	70	30	6X25	96	60
500	20"	F10	20	4-Ø10	125	102	70	30	6X25	96	87
600	24"	F10	20	4-Ø10	125	102	70	30	6X25	198,9	67
700	28"	F10	20	4-Ø10	125	102	70	30	6X25	198,9	93
800	32"	F10	20	4-Ø10	125	102	70	30	6X25	382,2	60
900	36"	F10	20	4-Ø10	125	102	70	30	6X25	421,4	79
1000	40"	F10	20	4-Ø10	125	102	70	30	6X25	641,25	65
1200	48"	F10	20	4-Ø10	125	102	70	30	6X25	641,25	116
1400	56"	F10	20	4-Ø10	125	102	70	30	6X25	559	193
1600	60"	F10	20	4-Ø10	125	102	70	30	6X25	421,4	107

* Values without safety factor

Tecofi France

83 rue Marcel Mérieux - 69960 Corbas

Tél. +33 (0)4 72 79 05 79 - Fax. +33 (0)4 78 90 19 19

E-mail : sales@tecofi.fr - www.tecofi.fr

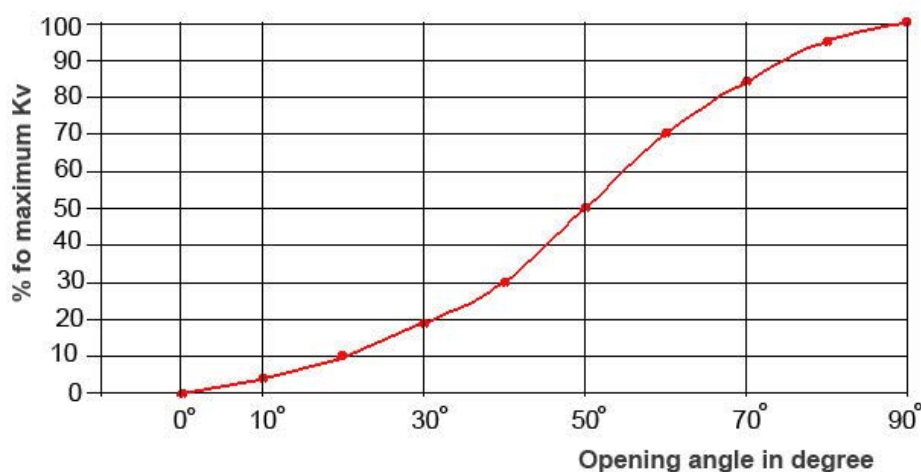


DOUBLE EXCENTRIC BUTTERFLY VALVE TYPE TECWAT

WORKING CONDITIONS

Maximum working pressure : 25 bar.
Maximum working temperature : + 80 °C.

FLOW FACTOR - Kv



DN	mm	200	250	300	350	400	450	500	600	700	800	900	1000	1100	1200	1400	1600
	inch	8"	10"	12"	14"	16"	18"	20"	24"	28"	32"	36"	40"	44"	48"	56"	64"
Kvs		1880	3800	4950	8000	10900	14200	18250	28000	40500	55100	74000	93338	116213	142516	167310	264433

Values given for information

Tecofi France

83 rue Marcel Mérieux - 69960 Corbas
Tél. +33 (0)4 72 79 05 79 - Fax. +33 (0)4 78 90 19 19
E-mail : sales@tecofi.fr - www.tecofi.fr

