

Ref. : VP 4201-B04.pas

Rev. G

Date: 23/08/2017

Page : 1/1

DOUBLE EXCENTRIC TYPE BUTTERFLY VALVE WITH ELECTRIC ACTUATOR BERNARD

VP 4201-B04



APPLICATION

General use : potable water.

GENERAL CHARACTERISTICS

TECWAT type : long pattern.

Design in according to EN 593.

Range : from DN 100 to DN 2000.

Assembling with preferential sense

Bi-directional.

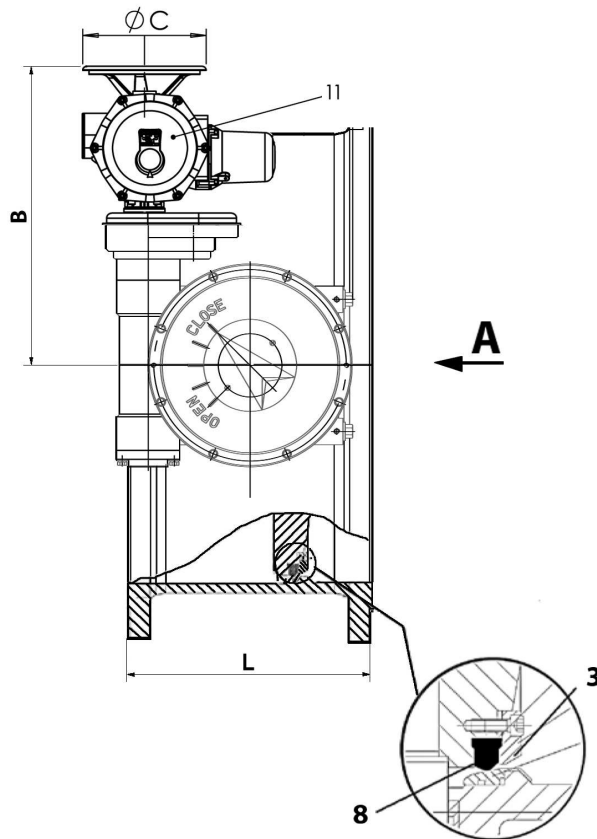
Double excentric type.

Replaceable seat, no wrenkling possibility.

Food epoxy painting.

CONSTRUCTION

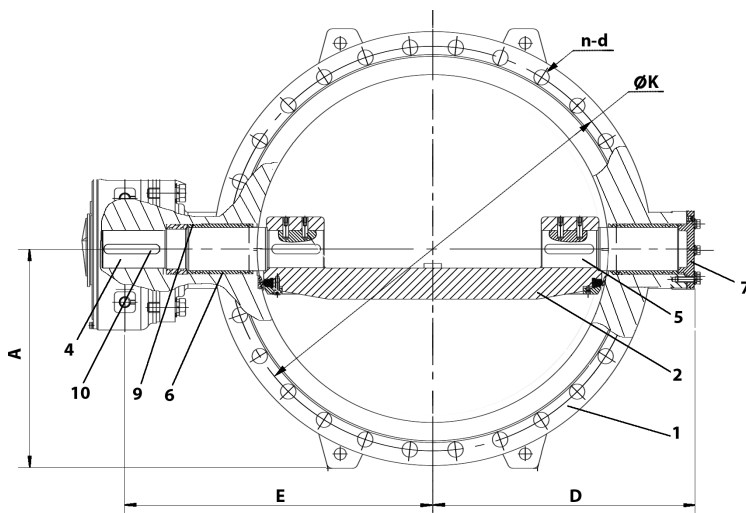
| Rep. | Nb. | Designation | Material |
|------|-----|-------------------|---|
| 11 | 1 | Electric actuator | BERNARD |
| 10 | 2 | Key | Stainless steel X20Cr13 DIN: 1.4021 ASTM: AISI 420 BS: 420 S 37 |
| 9 | 2 | O-ring | EPDM |
| 8 | 1 | Sealing ring | EPDM |
| 7 | 1 | Cover free end | Ductile iron EN-GJS-500-7 DIN: GGG 50 ASTM: A536 70-50-05 BS: 1563 EN-JS1050 |
| 6 | 2 | Bearing bush | Al-Bronze |
| 5 | 1 | Shaft free end | Stainless steel X20Cr13 DIN: 1.4021 ASTM: AISI 420 BS: 420 S 37 |
| 4 | 1 | Shaft driven end | Stainless steel X20Cr13 DIN: 1.4021 ASTM: AISI 420 BS: 420 S 37 |
| 3 | 1 | Retaining ring | Steel |
| 2 | 1 | Disc | Ductile iron EN-GJS-500-7 DIN: GGG 50 ASTM: A536 70-50-05 BS: 1563 EN-JS1050 |
| 1 | 1 | Body | Ductile iron EN-GJS-500-7 DIN: GGG 50 ASTM: A536 70-50-05 BS: 1563 EN-JS1050 |



VIEW A

DIMENSIONS

| DN | L | A | B | ØC | D | ØK | E | n-d | Actuator type | Weight (kg) | |
|------|------|-----|--------|-------|-----|------|------|------|---------------|-------------|------|
| mm | inch | | | | | | | | | | |
| 100 | 4" | 190 | 117 | 376 | 300 | 133 | 180 | 284 | 8-Ø19 | ASM6 | 47 |
| 150 | 6" | 210 | 147.5 | 376 | 300 | 164 | 240 | 315 | 8-Ø23 | ASM6 | 52 |
| 200 | 8" | 230 | 175 | 413 | 300 | 198 | 295 | 392 | 8-Ø23 | ASM6 | 67 |
| 250 | 10" | 250 | 202.5 | 413 | 300 | 219 | 350 | 413 | 12-Ø23 | ASM6 | 82 |
| 300 | 12" | 270 | 227.5 | 454 | 400 | 254 | 400 | 511 | 12-Ø23 | ASM6 | 116 |
| 350 | 14" | 290 | 257.5 | 454 | 400 | 279 | 460 | 536 | 16-Ø23 | ASM10 | 142 |
| 400 | 16" | 310 | 287.5 | 466 | 400 | 320 | 515 | 632 | 16-Ø28 | ASM10 | 200 |
| 450 | 18" | 330 | 312.5 | 466 | 400 | 359 | 565 | 662 | 20-Ø28 | ASM10 | 231 |
| 500 | 20" | 350 | 340 | 592,5 | 300 | 393 | 620 | 713 | 20-Ø28 | ASM6 | 281 |
| 600 | 24" | 390 | 395 | 589,5 | 400 | 450 | 725 | 780 | 20-Ø31 | ASM10 | 416 |
| 700 | 28" | 430 | 452.5 | 589,5 | 400 | 530 | 840 | 798 | 24-Ø31 | ASM10 | 578 |
| 800 | 32" | 470 | 512.5 | 620,5 | 400 | 614 | 950 | 891 | 24-Ø34 | ASM10 | 802 |
| 900 | 36" | 510 | 562.5 | 695,5 | 300 | 675 | 1050 | 950 | 28-Ø34 | ASM16 | 1052 |
| 1000 | 40" | 550 | 620 | 705 | 300 | 748 | 1160 | 1039 | 28-Ø37 | ASM10 | 1420 |
| 1200 | 48" | 630 | 732.5 | 764,5 | 300 | 865 | 1380 | 1181 | 32-Ø41 | ST14 | 2055 |
| 1400 | 56" | 710 | 842.5 | 817 | 300 | 1015 | 1590 | 1338 | 36-Ø44 | ST14 | 3067 |
| 1600 | 64" | 790 | 962.5 | 817 | 300 | 1161 | 1820 | 1463 | 40-Ø50 | ST14 | 3794 |
| 1800 | 72" | 870 | 1062.5 | 917 | 300 | 1324 | 2020 | 1712 | 44-Ø50 | ST14 | 5389 |
| 2000 | 80" | 950 | 1167.5 | 964 | 450 | 1437 | 2230 | 1817 | 48-Ø50 | ST30 | 7436 |



WORKING CONDITIONS

Maximum working pressure : 10 bar.

Maximum temperature : + 80 °C.

STANDARDS

Design according to EN 593.

Test procedures are established according to standards EN 12266-1 and API 598.

Face to face according to standard EN 558-1 serie 14.

Connections according to standard EN 1092-2 ISO PN10.

Optional certificat of health conformity (ACS) by request.

TECOFI France - 83, Rue Marcel Mérieux 69960 Corbas - FRANCE
Tél. +33 (0) 4 72 79 05 79 - Fax +33 (0) 4 78 90 19 19 / +33 (0) 4 72 79 05 70
Adresses e-mail : sales@tecofi.fr ; tecofi@tecofi.fr / Site web : www.tecofi.fr