

DOUBLE EXCENTRIC BUTTERFLY VALVE TYPE TECWAT

TECHNICAL PASSPORT

**PN10 FLANGED DOUBLE EXCENTRIC
BUTTERFLY VALVE WITH GEAR BOX**

VP 4201-08

APPLICATION

Tecwat type butterfly valves are intended to be used for ON/OFF operations in fluid transfer circuits.

Area of use: water networks, production plants, pumping stations, fire circuits on industrial site, etc.



Fluids: water, drinking water

GENERAL CHARACTERISTICS

- TECWAT model:** long pattern.
- Design according to NF EN 593.
 - Range:** from DN200 to DN2200.
 - Bi-directional sealing with a preferred mounting direction indicated by the arrow on the body.
 - Pinned stem/disc connection.
 - Double eccentric butterfly valve prevents wear due to the stainless steel seat attached to the body.
 - Seal on disc retained by a stainless steel retaining ring.
 - Optimized maneuvering torque.
 - Low pressure drop.
 - Operating by IP65 gear box.
 - Clockwise closing.



ACS

STANDARDS

Design	Complies with standard EN 593
Face to face	Face to face according to standard NF EN 558 serie 14.
Connection	ISO PN10 flange mounting according to standard EN1092-2.
Tests	Hydraulic tests carried out according to the standard EN12266-1: -Body : 15 bar -Seat : 11 bar

PRODUCT APPROVALS

EAC Certificat WRAS n° 1607394
WRAS APPROVED PRODUCT **EN 1074**

Attestation of health conformity n° 19 ACC LY 582
ACS

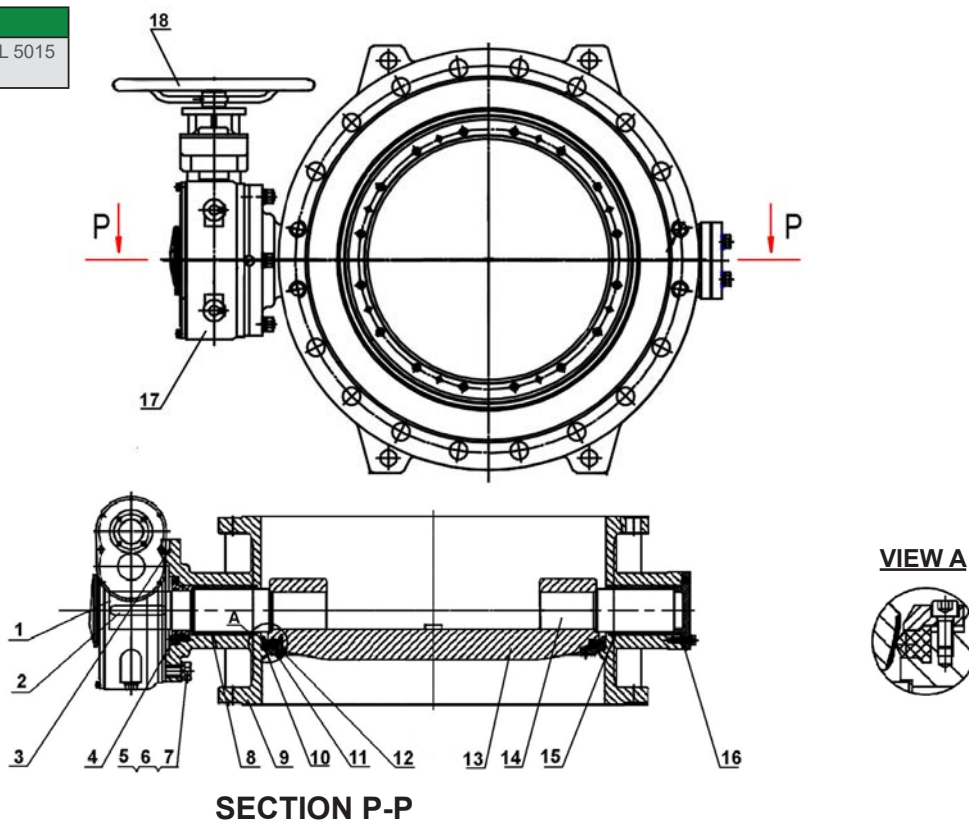
Tecofi France
83 rue Marcel Mérieux - 69960 Corbas
Tél. +33 (0)4 72 79 05 79 - Fax. +33 (0)4 78 90 19 19
E-mail : sales@tecofi.fr - www.tecofi.fr



DOUBLE EXCENTRIC BUTTERFLY VALVE TYPE TECWAT

CONSTRUCTION

Component	Coating
Body	Epoxy powder RAL 5015 250 microns



SECTION P-P

Pos.	Description	Material	Equivalences		
			DIN	ASTM	BS
1	Upper shaft	Stainless steel X20Cr13	1.4021	AISI 420	420 S 37
2	Key	Stainless steel X20Cr13	1.4021	AISI 420	420 S 37
3	Locking pin	Stainless steel X20Cr13	1.4021	AISI 420	420 S 37
4	Packing gland	Ductile iron			
5	Screw	Stainless steel A2-70			
6	Gasket	Stainless steel A2			
7	Flexible gasket	Stainless steel 3 Cr13			
8	Shaft bush	Al-bronze			
9	Body	Fonte ductile EN-GJS-500-7	GGG 50	A536 70-50-05	1563 EN-JS1050
10	Sealing surface	Stainless steel 304			
11	Retainer	Stainless steel 304			
12	Sealing gasket	EPDM			
13	Disc	Fonte ductile EN-GJS-500-7	GGG 50	A536 70-50-05	1563 EN-JS1050
14	Lower shaft	Stainless steel X20Cr13	1.4021	AISI 420	420 S 37
15	O-ring	EPDM			
16	Cover	Ductile iron			
17	Gear box				
18	Handwheel	Cast iron	GG 25	35B	HT250

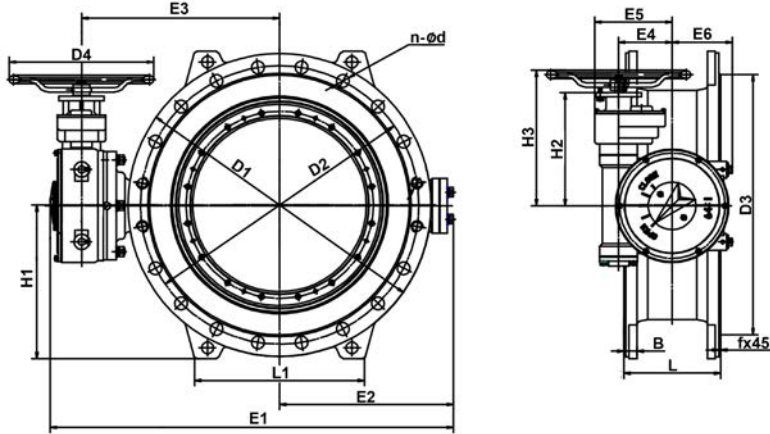
Tecofi France

83 rue Marcel Mérieux - 69960 Corbas
Tél. +33 (0)4 72 79 05 79 - Fax. +33 (0)4 78 90 19 19
E-mail : sales@tecofi.fr - www.tecofi.fr



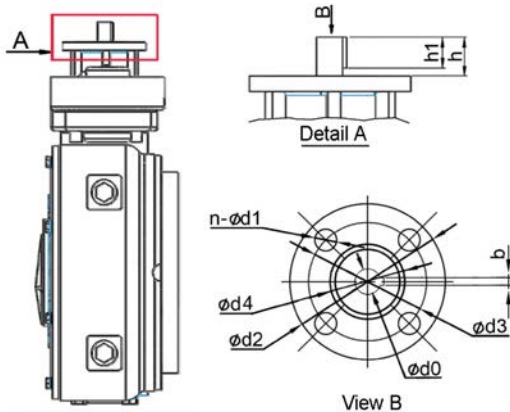
DOUBLE EXCENTRIC BUTTERFLY VALVE TYPE TECWAT

DIMENSIONS



DN		ØD1	ØD2	ØD3	B	f	L	n-ød	H1	H2	H3	E1	E2	E3	E4	E5	E6	L1	D4	ISO 5210	Weight (kg)
mm	inch																				
200	8"	340	295	266	20	3	230	8-Ø23	175	137	193	526	198	272	64	99	86	196	240	F10	52
250	10"	395	350	319	22	3	250	12-Ø23	202.7	137	190	568	219	293	64	99	86	240	240	F10	90
300	12"	445	400	370	24.5	4	270	12-Ø23	227.5	178	233	670	254	351	93.4	135	115	260	320	F10	101
350	14"	505	460	429	24.5	4	290	16-Ø23	257.5	178	233	720	279	376	93.4	135	115	280	320	F10	153
400	16"	565	515	480	24.5	4	310	16-Ø28	287.5	192	283	834	320	432	120	169	138	310	400	F10	178
450	18"	615	565	530	25.5	4	330	20-Ø28	312.5	192	283	903	359	462	120	169	138	340	400	F10	245
500	20"	670	620	582	26.5	4	350	20-Ø28	340	317	378	988	393	513	120	186	138	370	240	F10	316
600	24"	780	725	682	30	5	390	20-Ø31	395	315	376	1119	450	580	148	214	166	430	400	F10	442
700	28"	895	840	794	32.5	5	430	24-Ø31	452.5	315	376	1217	530	598	148	214	166	480	400	F10	613
800	32"	1015	950	901	35	5	470	24-Ø34	512.5	346	407	1410	614	691	185	265	196	560	400	F10	808
900	36"	1115	1050	1001	37.5	5	510	28-Ø34	562.5	346	407	1530	675	750	185	265	196	615	400	F10	1130
1000	40"	1230	1160	1112	40	5	550	28-Ø37	620	390	451	1712	748	839	230	333	232	670	400	F10	1404
1100	44"	1355	1270	1218	55	5	590	32-Ø37	682.5	390	451	1893	795	973	230	333	232	750	400	F10	1852
1200	48"	1455	1380	1328	45	5	630	32-Ø41	732.5	451	512	1971	865	981	230	368	232	800	400	F10	2308
1400	56"	1675	1590	1530	46	5	710	36-Ø44	842.5	507	568	2313	1011	1138	315	453	360	920	400	F10	3735
1500	60"	1785	1700	1640	48	5	750	36-Ø44	897.5	507	568	2489	1112	1213	315	453	360	980	400	F10	3389
1600	64"	1915	1820	1750	49	5	790	40-Ø50	962.5	507	568	2588	1161	1263	315	453	360	1050	400	F10	4459
1800	72"	2115	2020	1950	52	5	870	44-Ø50	1062.5	600	661	1712	1324	1501	412	613	390	1162	400	F10	6207
2000	80"	2325	2230	2150	55	5	950	48-Ø50	1167.5	600	661	1817	1437	1606	412	613	390	1270	400	F14	8338
2200	88"	2550	2440	2370	58	6	1000	52-Ø56	1050	600	838	3655	1619	1797	412	613	440	1400	600	F14	9600

TOP FLANGE ISO 5210 DIMENSIONS



DN	mm	inch	ISO flange	ød0	ISO 5210				h	bxh1	Number of turn	Torque * (Nm)
					n-ød1	ød2	ød3	ød4				
200	8"	F10	20	4-Ø10	125	102	70	28	6X20	10	23	
250	10"	F10	20	4-Ø10	125	102	70	28	6X20	10	36	
300	12"	F10	20	4-Ø10	125	102	70	28	6X20	12	47	
350	14"	F10	20	4-Ø10	125	102	70	28	6X20	12	65	
400	16"	F10	20	4-Ø10	125	102	70	30	6X25	20	57	
450	18"	F10	20	4-Ø10	125	102	70	30	6X25	20	72	
500	20"	F10	20	4-Ø10	125	102	70	30	6X25	80	28	
600	24"	F10	20	4-Ø10	125	102	70	30	6X25	64	53	
700	28"	F10	20	4-Ø10	125	102	70	30	6X25	64	76	
800	32"	F10	20	4-Ø10	125	102	70	30	6X25	96	73	
900	36"	F10	20	4-Ø10	125	102	70	30	6X25	96	100	
1000	40"	F10	20	4-Ø10	125	102	70	30	6X25	198,9	65	
1100	44"	F10	20	4-Ø10	125	102	70	30	6X25	198,9	86	
1200	48"	F10	20	4-Ø10	125	102	70	30	6X25	382,2	52	
1400	56"	F10	20	4-Ø10	125	102	70	30	6X25	421,4	67	
1500	60"	F10	20	4-Ø10	125	102	70	30	6X25	421,4	82	
1600	60"	F10	20	4-Ø10	125	102	70	30	6X25	421,4	98	
1800	72"	F10	20	4-Ø10	125	102	70	30	6X25	641,25	89	
2000	80"	F14	20	4-Ø10	125	102	70	30	6X25	641,25	119	
2200	88"	F14	20	4-Ø10	125	102	70	30	6X25	641,25	174	

* Values without safety coefficient

Tecofi France

83 rue Marcel Mérieux - 69960 Corbas

Tél. +33 (0)4 72 79 05 79 - Fax. +33 (0)4 78 90 19 19

E-mail : sales@tecofi.fr - www.tecofi.fr

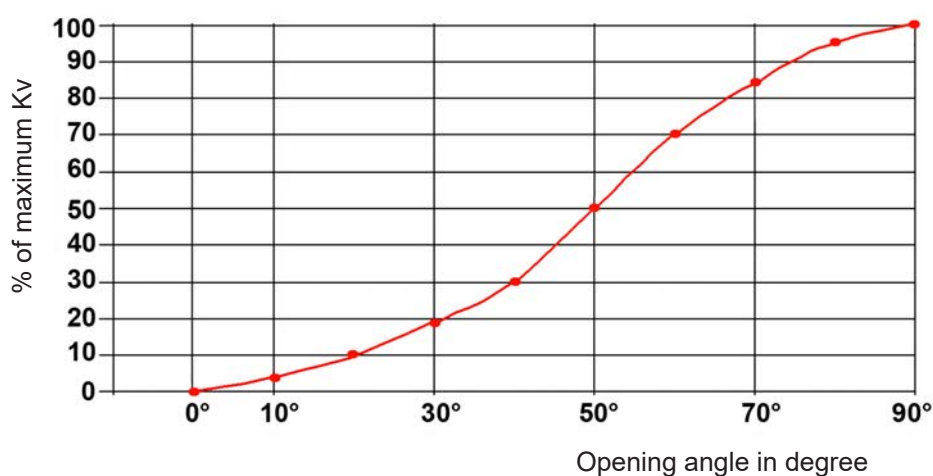


DOUBLE EXCENTRIC BUTTERFLY VALVE TYPE TECWAT

WORKING CONDITIONS

Maximum working pressure: 10 bar.
Maximum working temperature : + 80 °C.

FLOW FACTOR - Kv



DN	mm	200	250	300	350	400	450	500	600	700	800	900	1000	1100	1200	1400	1600
	inch	8"	10"	12"	14"	16"	18"	20"	24"	28"	32"	36"	40"	44"	48"	56"	64"
Kvs		1880	3800	4950	8000	10900	14200	18250	28000	40500	55100	74000	93338	116213	142516	167310	264433

Values given for information

Tecofi France

83 rue Marcel Mérieux - 69960 Corbas
Tél. +33 (0)4 72 79 05 79 - Fax. +33 (0)4 78 90 19 19
E-mail : sales@tecofi.fr - www.tecofi.fr

