

Ref. : VP 3642-MX4.pas

Rev. : F

Date : 21/09/2015

Page : 1/1

BUTTERFLY VALVE WITH ELECTRIC ACTUATOR "BELIMO"

VP 3642-MX4



PRODUCT REFERENCE

	REFERENCES	Electric actuator type
<input type="checkbox"/>	VP3642-M04	BELIMO 115 - 230V
<input type="checkbox"/>	VP3642-M14	BELIMO 24V AC/DC
<input type="checkbox"/>

APPLICATION

General use : Installation of heating, air-conditioning and aeration.
"Non suitable for steam application"

GENERAL CHARACTERISTICS

Design in accordance with NF EN 593.
Range : from DN 40 to DN 150.
Tightness in both ways.
Sleeve in dovetail shape ensures a perfect assembling.
Stem : high an low semi stem giving a high flow coefficient.
Machined disc with on periphery giving a low and regular torque.
Stem unejectable.
Bearing : stainless steel teflon lined and dovetail type sleeve.
Normally, the butterfly valve is equipped with an electric actuator "BELIMO".
Power : 100...240V 50/60Hz - 24V AC/DC.
Operating time: 90s (SR) - 150s (GR).
Protection class : IP54.

CONSTRUCTION

11	1	Electric actuator		BELIMO
10	1	Spacer	Aluminium	
9	2	Split pin	Stainless steel	
8	1	Gasket	NBR	
7	2	O-ring	NBR	
6	2	Guiding bearing	Teflon-lined c/s	
5	1	Upper stem	Stainless steel 420	DIN: 1.4021 ASTM: AISI 420 BS: 420 S37
4	1	Lower stem	Stainless steel 420	DIN: 1.4021 ASTM: AISI 420 BS: 420 S37
3	1	Sleeve	Heat EPDM	
2	1	Disc	Cupraluminium CuAl10NiFe4	
1	1	Body	Cast iron EN-GJL-250	DIN: GG25 ASTM: A48 class 40B BS: 1452 Grade 250
Pos.	Qty.	Description	Material	

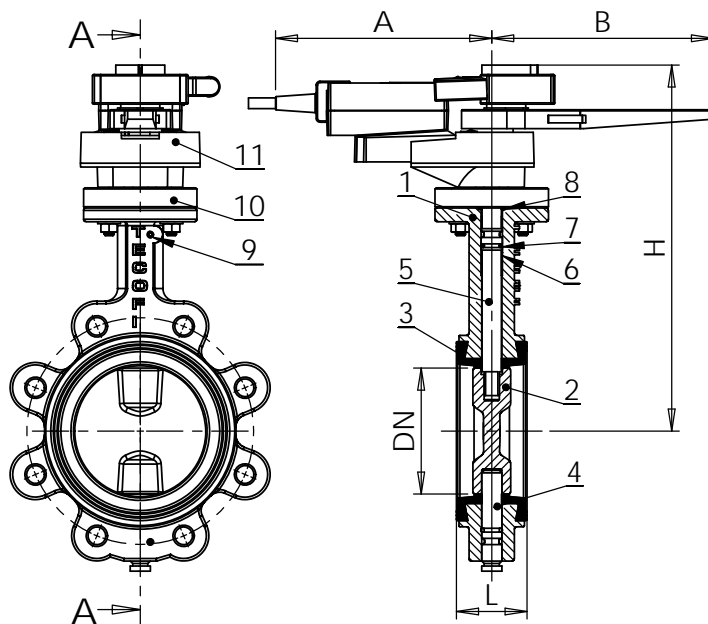
DIMENSIONS

DN		Electric actuator type	L	H	A	B	Weight (kg)
mm	inch						
40	1"1/2	SR	33	247	171	176	4,6
50	2"	SR	43	253	171	176	5,6
65	2"1/2	SR	46	266	171	176	6,4
80	3"	SR	46	272	171	176	7,5
100	4"	GR	52	291	182	70	9,7
125	5"	GR	56	304	182	70	11,8
150	6"	GR	56	316	182	70	13,7

WORKING CONDITIONS

Maximum working pressure : 5 bar.
Ambient temperature : 0°C / 50°C.
Temperature of medium : -15°C / +100°C (Electric actuator type GR)
+5°C / +100°C (Electric actuator type SR)

Tightness in option	Maximum temperature	Peak temperature
EPDM	+4°C / +110°C	-20°C / +130°C
CSM (Type Hypalon®)	+4°C / +80°C	-20°C / +110°C
FPM (Type Viton®)	-10°C / +170°C	-20°C / +200°C
Silicone	-20°C / +170°C	-40°C / +200°C
Nitrile (NBR)	-10°C / +80°C	-20°C / +90°C



STANDARDS

Manufacture according to the requirements of the European directive 2014/68/UE «Equipments under pressure» : modulate H.
Face to face according to standard NF EN 558-1serie 20, ISO 5752 serie 20, DIN 3202.

Pressure test according to standards EN 12266-1, DIN 3230, BS 6755 and ISO 5208 :

Body : 24 bar.
Seat : 17,6 bar.

Mounting between flanges PN10 / PN16 : according to EN 1092-2, BS450, ANSI B16.1-5.

Adjustable between flanges ASA 150.

TECOFI France - 83, Rue Marcel Mérieux 69960 Corbas - FRANCE
Tél. +33 (0) 4 72 79 05 79 - Fax +33 (0) 4 78 90 19 19 / +33 (0) 4 72 79 05 70
Adresses e-mail : sales@tecofi.fr ; tecofi@tecofi.fr / Site web : www.tecofi.fr