

Ref. : VOC4241C-08.pas

Rev. : G

Date : 03/04/2019

Page : 1/1

**RESILIENT SEAT GATE VALVE  
PN10/16 OPERATED BY  
PLANETARY GEARBOX WITH  
MOUNTING PLATE FOR  
ELECTRIC ACTUATOR**

**VOC 4241C-08**



**APPLICATION**

General use : Water supply, fire protection, irrigation, water treatment.

**GENERAL CHARACTERISTICS**

Range : from DN450 to DN600.

Non rising stem.

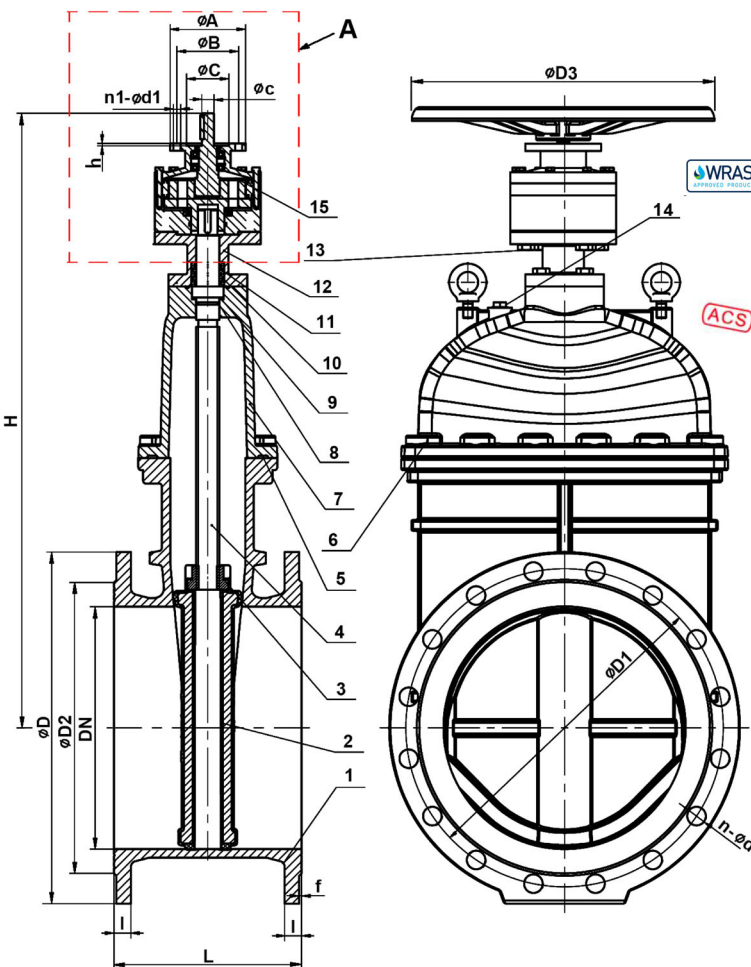
Clockwise to close.

No zone of retention.

Low head losses.

**CONSTRUCTION**

15	1	Planetary gear box	
14	1	Drain plug	
13	6	Bolt	Stainless steel A2-70
12	1	Bracket	Ductile iron GGG50
11	1	Seal	Ductile iron 304
10	1	O ring	NBR
9	1	Gasket	EPDM
8	1	O ring	NBR
7	1	Bonnet	Ductile iron GGG50
6	16	Bolt	Stainless steel A2-70
5	1	Sealing gasket	EPDM
4	1	Stem	Stainless steel 2Cr13 (AISI420)
3	1	Nut	Brass
2	1	Wedge	Ductile iron GGG50+EPDM
1	1	Body	Ductile iron GGG50
<b>Pos.</b>	<b>Q-ty</b>	<b>Description</b>	<b>Material</b>



**DIMENSIONS**

DN		D	D1		D2	I	H	L	f	n - Ød		Weight (kg)
mm	inch		PN10	PN16						PN10	PN16	
450	18"	640	565	585	548	30	1160	330	5	20 x Ø28	20 x Ø31	310
500	20"	715	620	650	609	31,5	1260	350	5	20 x Ø28	20 x Ø34	400
600	24"	840	725	770	720	36	1450	390	6	20 x Ø31	20 x Ø37	610

Weight includes the handwheel

**WORKING CONDITIONS**

Maximum working pressure : 16 bar.

Maximum temperature : +80°C.

**STANDARDS**

Face to face according to DIN 3032 / F4 short pattern.

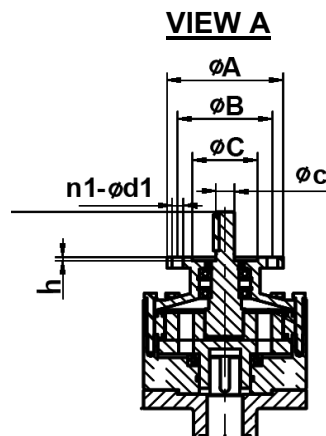
Connection according to standard EN 1092-2

ISO PN10/16.

Test pressure according to EN1074-2 & EN1171.

Certificat of health conformity n° 16 ACC LY 039.

WRAS certificate n° 1606373



DN		ISO	ØA	ØB	ØC	ØD3	n1	Ød1	Øc	h	Torque Nm	Nb of turns
mm	inch											
450	18"	F14	175	140	100	450	4	18	32	4	120	128
500	20"	F14	175	140	100	450	4	18	32	4	120	179
600	24"	F14	175	140	100	450	4	18	32	4	120	257

**TECOFI France** - 83, Rue Marcel Mérieux 69960 Corbas - FRANCE  
Tél. +33 (0) 4 72 79 05 79 - Fax +33 (0) 4 78 90 19 19 / +33 (0) 4 72 79 05 70  
Adresses e-mail : sales@tecofi.fr ; tecofi@tecofi.fr / Site web : [www.tecofi.fr](http://www.tecofi.fr)

The photographs and technical art works are not contractual. The specifications of the presented products are open to modifications without previous advice.