

RESILIENT SEAT GATE VALVE DUCTILE IRON BODY

RESILIENT SEAT GATE VALVE WITH HANDWHEEL - DUCTILE IRON BODY FLANGE CONNECTION PN10/16

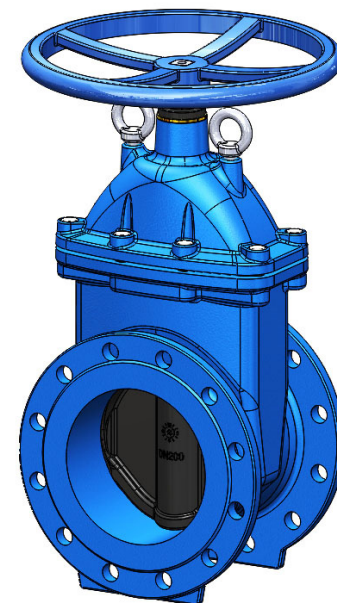
VOC 4241C-00

APPLICATION

The TECOFI resilient seat gate valve is intended for use in application such as: water supply and treatment, irrigation and sanitation.



Fluids : water, waste water, non-aggressive neutral liquids, etc.



GENERAL CHARACTERISTICS

Range : from DN40 to DN400.

Resilient seat gate valve for ON/OFF or control operation, with non-rising stem.

PN10 and PN16 flange mounting (drilling of suitable flanges from DN200).

Body and bonnet assembled by screws protected by a molded sealing gasket.

Wedge in ductile iron covered with a thick layer of elastomer.

Ribs on the wedge outer face to facilitate its guiding in the body.

Upstream-downstream tightness made reliable thanks to the enormous qualities of elasticity and rigidity of the wedge.

At the end of closing the latter is pressed onto the flat bottom of the valve and takes perfectly its shape. This results in the absorption of impurities contained in the fluid, such as sand, gravel, etc. From the first moment of opening, impurities or waste are returned to the fluid which evacuates them.

Tightness of the upper part guarantees thanks to a system of O-rings placed next to each other and separated by small metal segments.

Very economical use without the need for maintenance. Low pressure drop.

Full bore at the end of opening. No retention zone.

Good corrosion resistance (epoxy coating inside and outside the body)

fasteners protected from external aggressions by wax coat.

STANDARDS

Design	Manufacture according to standard DIN 3352.
Face to face	Face to face dimension according DIN 3202 / F4 série courte
Connection	Mounting flange in accordance with EN1092-2 : ISO PN10 and ISO PN16
Tests	Pressure test according to standards EN1171 and EN 1074.
Certificats	Attestation of health conformity (ACS) n° 16 ACC LY 039. / Certification WRAS n° 1606376



Tecofi France

83 rue Marcel Mérieux - 69960 Corbas

Tél. +33 (0)4 72 79 05 79 - Fax. +33 (0)4 78 90 19 19

E-mail : sales@tecofi.fr - www.tecofi.fr

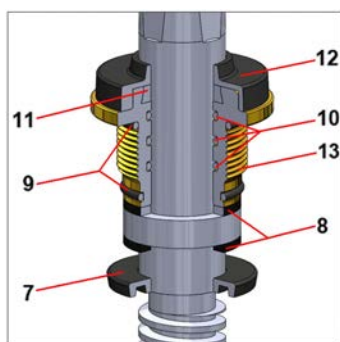


RESILIENT SEAT GATE VALVE DUCTILE IRON BODY

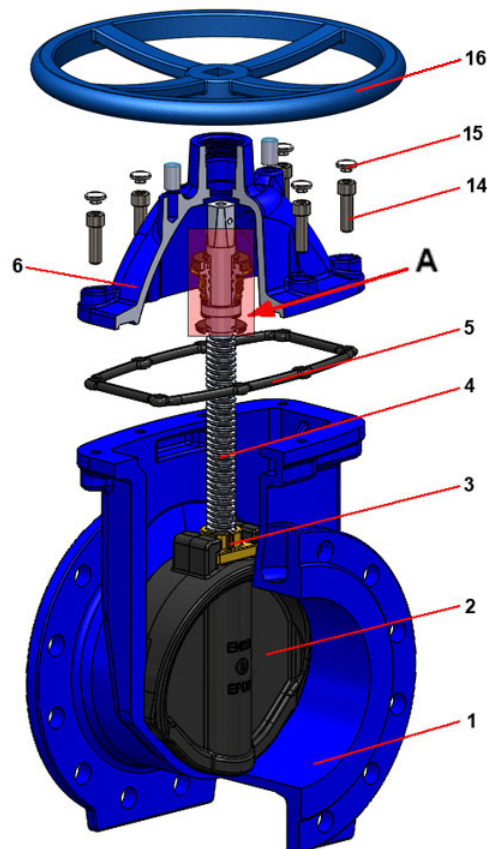
CONSTRUCTION

The valves are coated with epoxy paint on the outside and inside of the body and the bonnet to protect against corrosion.

Component	Coating
Body (1)	Epoxy powder RAL 5015 250 microns
Bonnet	Epoxy liquid RAL 5015 250 microns
Handwheel (23)	Epoxy liquid RAL 5015 70 microns



View A



Pos.	Quantity	Description	Material	Equivalences		
				DIN	ASTM	BS
1	1	Body	Ductile iron	GGG50	A536 65-45-12	1563 EN-JS1050
2	1	Wedge	EPDM coated ductile iron	GGG50	A536 65-45-12	1563 EN-JS1050
3	1	Stem nut	Brass			
4	1	Stem	Stainless steel 420	1.4021	AISI 420	420 S 37
5	1	Joint	EPDM			
6	1	Bonnet	Ductile iron	GGG50	A536 65-45-12	1563 EN-JS1050
7	1	Joint	EPDM			
8	2	Bearing	PTFE			
9	2	O ring	EPDM			
10	3	O ring	EPDM			
11	1	Stem gasket	EPDM			
12	1	Dust protection	NBR			
13	1	Nut	Brass			
14	n	Screw	Stainless steel 304			
15	n	Wax plug				
16	1	Handwheel	Ductile iron	GGG50	A536 65-45-12	1563 EN-JS1050

n = 4 (DN40-DN65); 6 (DN100); 8 (DN150-DN300) ; 12 (DN350-DN400)

Tecofi France

83 rue Marcel Mérieux - 69960 Corbas
Tél. +33 (0)4 72 79 05 79 - Fax. +33 (0)4 78 90 19 19
E-mail : sales@tecofi.fr - www.tecofi.fr

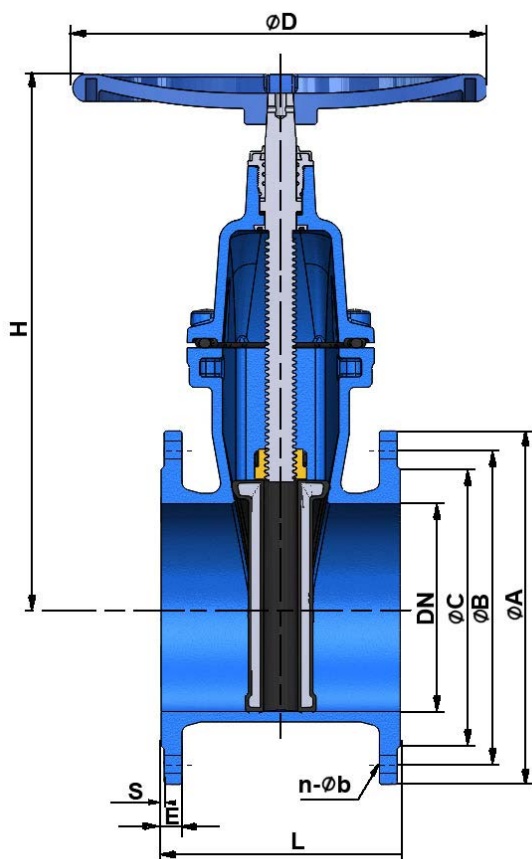


RESILIENT SEAT GATE VALVE DUCTILE IRON BODY

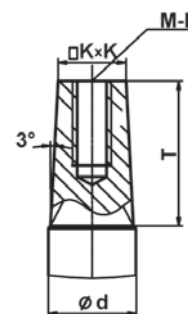
TECHNICAL PASSPORT

VOC 4241C-00

DIMENSIONS



Maneuvering square



DN		Ød	K	M	h	T
mm	inch					
40	2" 1/2	20	14.3	8	20	29
50	2"	20	14.3	8	20	29
60/65	2" 1/4 / 2" 1/2	24	17.3	10	20	33
80	3"	24	17.3	10	20	33
100	4"	28	19.3	10	20	38
125	5"	28	19.3	10	20	38
150	6"	28	19.3	10	20	38
200	8"	30	24.3	10	20	42
250	10"	36	27.3	12	25	47
300	12"	36	27.3	12	25	47
350	14"	38	27.3	12	25	47
400	16"	38	27.3	12	25	47

DN		L	H	ØD	ØA		ØB		ØC	E		S	n - Øb		Weight (kg)
mm	inch				PN10	PN16	PN10	PN16		PN10	PN16		PN10	PN16	
40	2" 1/2	140	220	180	150		110		84	16		3	4 x Ø19		10
50	2"	150	230	180	165		125		99	16		3	4 x Ø19		10.6
60/65	2" 1/4 / 2" 1/2	170	265	200	185		135/145		118	16		3	4 x Ø19		12.5
80	3"	180	290	200	200		160		132	16		3	8 x Ø19		13.8
100	4"	190	335	250	220		180		156	16		3	8 x Ø19		18
125	5"	200	380	250	250		210		184	16		3	8 x Ø19		26.5
150	6"	210	415	300	285		240		211	16		3	8 x Ø23		31.9
200	8"	230	510	300	340		295		266	17		3	8 x Ø23	12 x Ø23	54.5
250	10"	250	600	350	400	350	355	319	319	19		3	12 x Ø23	12 x Ø28	75.5
300	12"	270	690	350	455	400	410	370	370	20.5		4	12 x Ø23	12 x Ø28	110
350	14"	290	790	400	520	460	470	429	429	22.5		4	16 x Ø23	16 x Ø28	174.2
400	16"	310	855	400	580	515	525	480	480	24		4	16 x Ø28	16 x Ø31	226.5

The photographs and technical art works are not contractual. The specifications of the presented products are open to modifications without previous advice.

Tecofi France

83 rue Marcel Mérioux - 69960 Corbas
Tél. +33 (0)4 72 79 05 79 - Fax. +33 (0)4 78 90 19 19
E-mail : sales@tecofi.fr - www.tecofi.fr



RESILIENT SEAT GATE VALVE DUCTILE IRON BODY

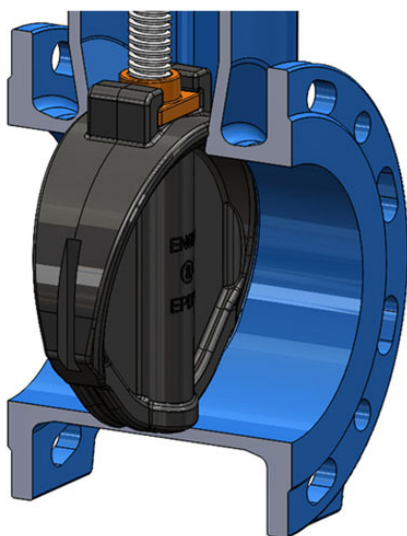
TECHNICAL PASSPORT

VOC 4241C-00

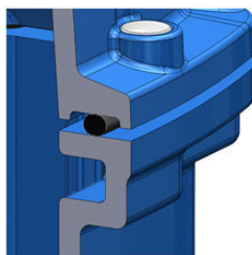
WORKING CONDITIONS

Maximum working pressure : 16 bar

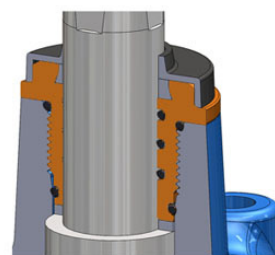
Maximum working temperature : +80°C



Upstream/downstream tightness

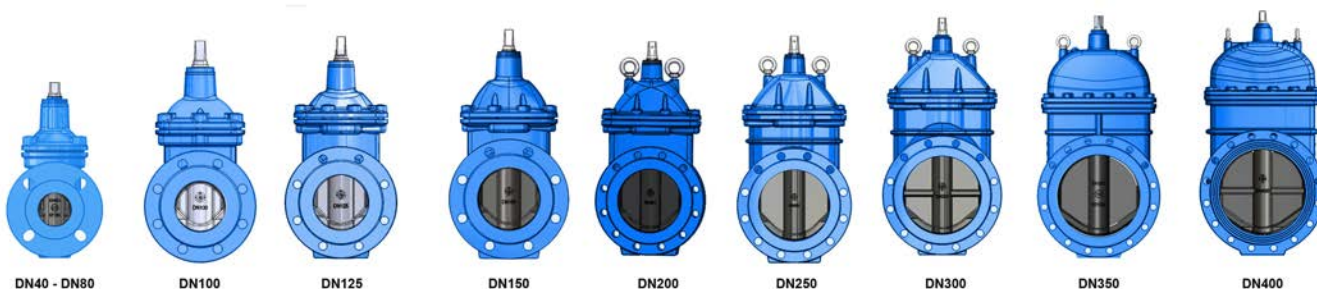


Body/bonnet tightness



Valve top tightness

TYPES OF CONSTRUCTION



DN40 - DN80

DN100

DN125

DN150

DN200

DN250

DN300

DN350

DN400

Tecofi France

83 rue Marcel Mérieux - 69960 Corbas
Tél. +33 (0)4 72 79 05 79 - Fax. +33 (0)4 78 90 19 19
E-mail : sales@tecofi.fr - www.tecofi.fr



ISO 9001
ISO 14001
BUREAU VERITAS
Certification

