

Ref. : VOC4241B-05.pas

Rev. : C

Date : 14/10/2014

Page : 1/1

RESILIENT SEAT GATE VALVE

VOC 4241B-05



Tecofi
VALVE DESIGNER - FRANCE

APPLICATION

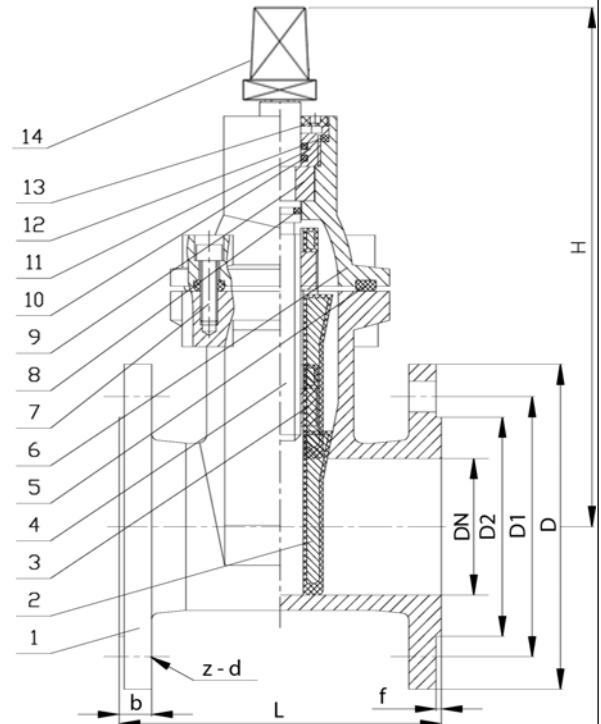
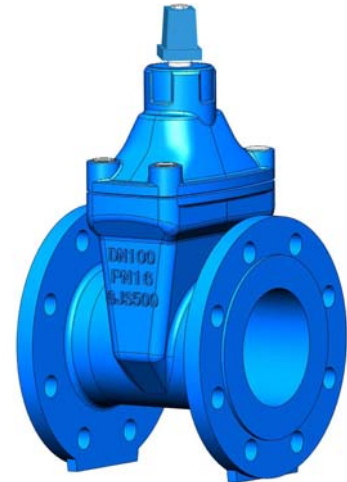
General use : Water supply, fire protection, irrigation, water treatment.

GENERAL CHARACTERISTICS

Range : from DN50 to DN300.
Non rising stem.
Clockwise to close.
No zone of retention.
Low head losses.

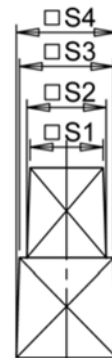
CONSTRUCTION

14	1	Square	Ductile iron	DIN: GGG 50 ASTM: A536 65-45-12 BS: 1563 EN-JS1050
13	1	Dust ring	EPDM	
12	1	Gasket	PTFE	
11	1	Bonnet Nut	Brass	
10	2	O ring	EPDM	
9	1	Ring	Brass	
8	1	O ring	EPDM	
7	4 - (DN50-80) 6 - (DN100-150) 8 - (DN200-250) 10 - (DN300)	Bolt	Steel A3	
6	1	Bonnet	Ductile iron	DIN: GGG 50 ASTM: A536 65-45-12 BS: 1563 EN-JS1050
5	1	Gasket	EPDM	
4	1	Stem	Stainless steel 2 Cr13	
3	1	Nut	Brass	
2	1	Wedge	EPDM coated Ductile iron	DIN: GGG 50 ASTM: A536 65-45-12 BS: 1563 EN-JS1050
1	1	Body	Ductile iron	DIN: GGG 50 ASTM: A536 65-45-12 BS: 1563 EN-JS1050
Pos.	Q-ty	Description	Material	



DIMENSIONS

DN		L	H	ØD	ØD1		ØD2	f	b	Z-Ød				Weight (kg)
mm	inch				PN10	PN16				PN10	PN16	S1	S2	
50	2"	150	205	165	125	99	3	19	4 x Ø19	29	31	40	40	9,5
65	2 1/2"	170	230	185	145	118	3	19	4 x Ø19	29	31	40	40	12,6
80	3"	180	255	200	160	132	3	19	8 x Ø19	29	31	40	40	13,7
100	4"	190	285	220	180	156	3	19	8 x Ø19	29	31	40	40	17,6
125	5"	200	330	250	210	184	3	19	8 x Ø19	29	31	40	40	25,6
150	6"	210	370	285	240	211	3	19	8 x Ø23	29	31	40	40	31,3
200	8"	230	455	340	295	266	3	20	8 x Ø23 12 x Ø23	29	31,5	38	40	51,9
250	10"	250	535	400	350	355	3	22	12 x Ø23 12 x Ø28	29	31,5	38	40	75,5
300	12"	270	620	455	400	410	4	24,5	12 x Ø23 12 x Ø28	29	31,5	38	40	120,2



WORKING CONDITIONS

Maximum working pressure : 16 bar.

Maximum working temperature: +80°C

STANDARDS

Face to face according to EN558-1 serie 14 and DIN 3202 / F4 Short pattern.
Connection according to standard EN 1092-2 ISO PN10 and ISO PN16.

TECOFI France - 83, Rue Marcel Mérieux 69960 Corbas - FRANCE
Tél. +33 (0) 4 72 79 05 79 - Fax +33 (0) 4 78 90 19 19 / +33 (0) 4 72 79 05 70
Adresses e-mail : sales@tecofi.fr ; tecofi@tecofi.fr / Site web : www.tecofi.fr