

Ref. : VOC4240A-00.pas

Rev. : A

Date : 22/02/2012

Page : 1/1

RESILIENT SEAT GATE VALVE PN10/16 LONG PATTERN

VOC 4240A-00



Tecofi
VALVE DESIGNER - FRANCE

APPLICATION

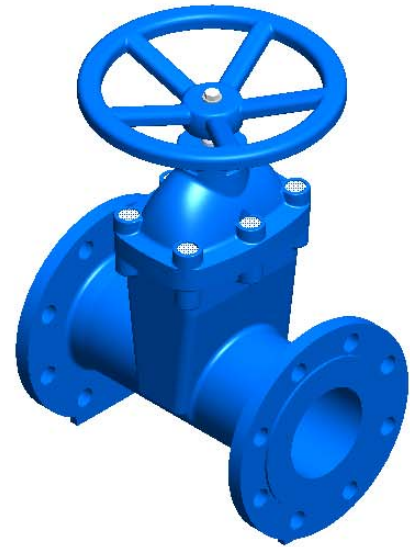
General use : Water supply, fire protection, irrigation, water treatment.

GENERAL CHARACTERISTICS

- Design in accordance to standard NF EN 1171.
- Range : from DN 40 to DN 400 in standard.
- Non rising stem.
- Clockwise to close or anti clockwise to close.
- No zones of retention.
- Low head losses.

CONSTRUCTION

10	1	Bolt	Carbon steel	A3
9	1	Hand wheel	Ductile iron	DIN: GGG 50 ASTM: A536 65-45-12 BS: 1563 EN-JS1030
8	1	Gasket	EPDM	
7	1	Top nut	Brass	
6	1	Ring	Brass	
5	1	Bonnet	Ductile iron	DIN: GGG 50 ASTM: A536 65-45-12 BS: 1563 EN-JS1030
4	1	Stem	Stainless steel	
3	1	Nut	Brass	
2	1	Wedge	EPDM coated ductile iron	DIN: GGG 50 ASTM: A536 65-45-12 BS: 1563 EN-JS1030
1	1	Body	Ductile iron	DIN: GGG 50 ASTM: A536 65-45-12 BS: 1563 EN-JS1030
Pos.	Qty.	Description	Material	



DIMENSIONS

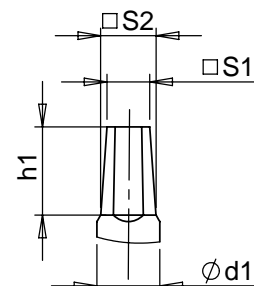
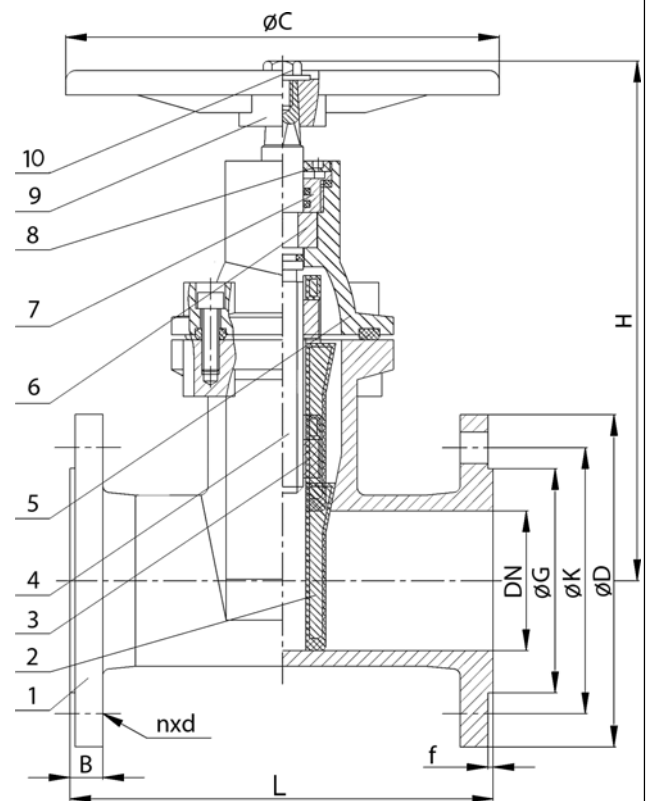
DN	L	H	ØC	ØD	ØK	ØG	f	B	n x d	□ S1	□ S2	Ød1	h1	Weight (kg)				
mm	inch			PN10	PN16	PN10	PN16		PN10	PN16								
40	1 1/2	240	203	160	150	110	84	3	18	4 x Ø19	4 x Ø19	12	16	18	37	12		
50	2"	250	223	180	165	125	99	3	19	4 x Ø19	4 x Ø19	12	16	18	37	13,5		
65	2 1/2	270	248	180	185	145	118	3	19	4 x Ø19	4 x Ø19	12	16	20	37	16,5		
80	3"	280	274	200	200	160	132	3	19	8 x Ø19	8 x Ø19	12	16	20	37	20		
100	4"	300	307	250	220	180	156	3	19	8 x Ø19	8 x Ø19	12	16	20	37	25		
125	5"	325	362	280	250	210	184	3	19	8 x Ø19	8 x Ø19	17	22	24	37	39		
150	6"	350	400	280	285	240	211	3	19	8 x Ø23	8 x Ø23	17	22	24	37	48		
200	8"	400	487	320	340	295	266	3	20	8 x Ø23	12 x Ø23	17	22	26	37	75		
250	10"	450	573	350	395	400	350	355	319	3	22	12 x Ø23	12 x Ø28	21	26	28	37	108
300	12"	500	661	400	445	455	400	410	370	4	24,5	12 x Ø23	12 x Ø28	21	26	32	37	140
350	14"	550	733	450	505	520	460	470	429	4	26,5	16 x Ø23	16 x Ø28	24	30	36	37	180
400	16"	600	810	450	565	580	515	525	480	4	28	16 x Ø28	16 x Ø31	24	30	38	37	225

WORKING CONDITIONS

Maximum working pressure : 16 bar.
Maximum temperature : +70°C

STANDARDS

Face to face according to EN558-1 serie 15 and DIN 3202 / F5 long pattern.
Connection according to standard EN 1092-2 ISO PN10 and ISO PN16.



TECOFI France - 83, Rue Marcel Mérieux 69960 Corbas - FRANCE
Tél. +33 (0) 4 72 79 05 79 - Fax +33 (0) 4 78 90 19 19 / +33 (0) 4 72 79 05 70
Adresses e-mail : sales@tecofi.fr ; tecofi@tecofi.fr / Site web : www.tecofi.fr