

Ref. : VM8200 EN.pas

Rev. : F

Date : 01/02/2018

Page : 1/1

FLANGED PNEUMATIC PINCH VALVE

VM8200



APPLICATION

General uses :Pharmaceutical and food industries, ceramic, glass and plastic industries, sewage water industries...

GENERALE CHARACTERISTICS

Range : from DN 40 to DN 250
 Flanged ends PN10
 Optimum tightness
 No pluggins
 Low air consumption
 Natural rubber anti-abrasion

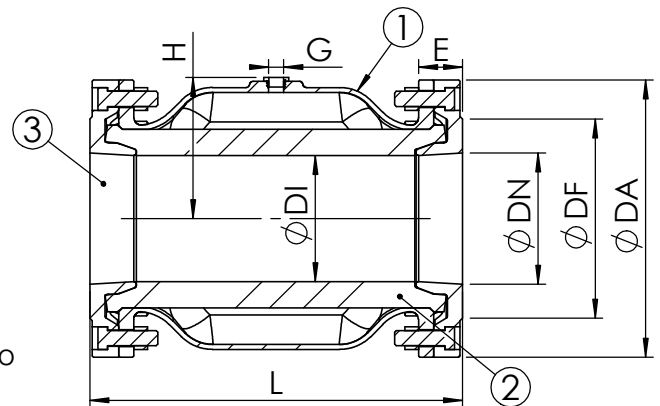
NOTA: The close of the pinch valve obtains under the effect of a pressure applied to the sleeve by means of compressed air or of a fluid under pressure (Differential pressure from 1.5 to 2 bar).



CONSTRUCTION

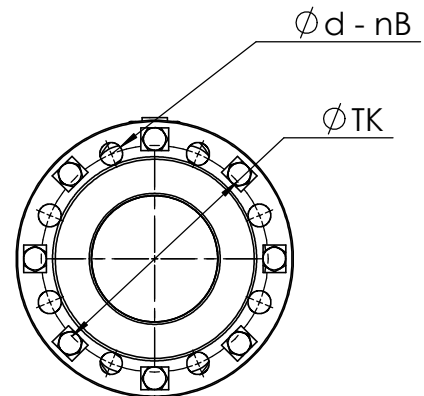
3	2	Flanges	Cast Aluminium (DN40-200) Steel (DN250)
2	1	Sleeve	Natural rubber anti -abrasion
1	1	Body	Cast Aluminium (DN40-200) Steel (DN250)
Po	Qty.	Description	Material

NOTA: Others sleeves: CR (type Néoprène®), natural rubber food, EPDM, FPM (type Viton®), silicon, nitril, CSM(type Hypalon®), IIR (type Butyl®), ECO



DIMENSIONS

DN	DI	DA	DF	nB	d	TK	L	G	H	E	Weight (kg)
40	40	150	88	4	18	110	155	1/4 "	56	28	2,9
50	50	165	102	4	18	125	183	1/4 "	65	30	3,7
65	65	185	122	4	18	145	183	1/4 "	81	28	4,3
80	80	200	138	8	18	160	228	1/4 "	95	31	5,6
100	100	220	158	8	18	180	280	1/4 "	112	35	8,4
125	118	250	184	8	18	210	348	1/4 "	136	40	12
150	145	285	212	8	22	240	418	1/4 "	160	43	17
200	190	340	268	8	22	295	558	3/8 "	206	60	35
250	250	395	320	12	22	350	680	1/2 "	266	67	56



WORKING CONDITIONS

Temperature : -40/+80 °C

Maximum working pressure :

DN 40-150 : 6 bar

DN 200 : 4 bar

DN 250 : 3 bar

AGREMENT AND STANDARDS

Manufacture according to the requirements of the European directive 97/23/CE «Equipments under pressure» : category III modulate H.

PN10 flange connection according to standard EN 1092-1