

Ref. : VM3200-00.pas

Rev. : D

Date : 13/05/2015

Page : 1/1

PINCH VALVE WITH HANDWHEEL

VM3200-00



APPLICATION

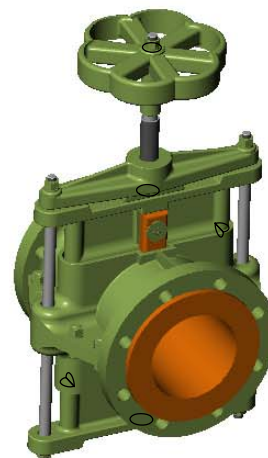
General use : Slurries, granular materials, powders, pastes, gases, acids etc...

GENERAL CHARACTERISTICS

Range : from DN10 to DN200.
 Low head loss.
 Replaceable sleeve without any special tools.
 Epoxy painted, valve bodies protected with an anti-acid varnish.
 Long durability.

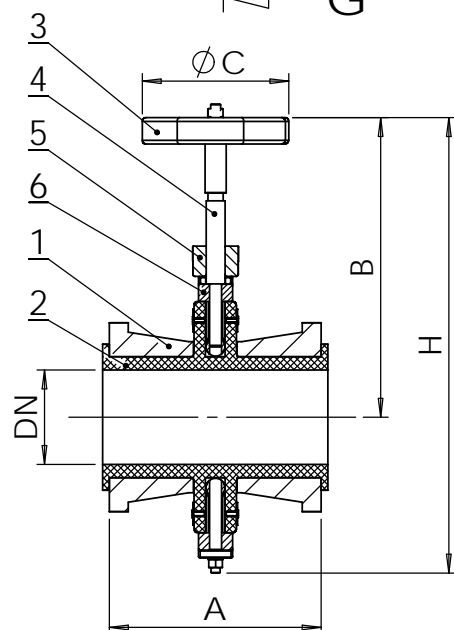
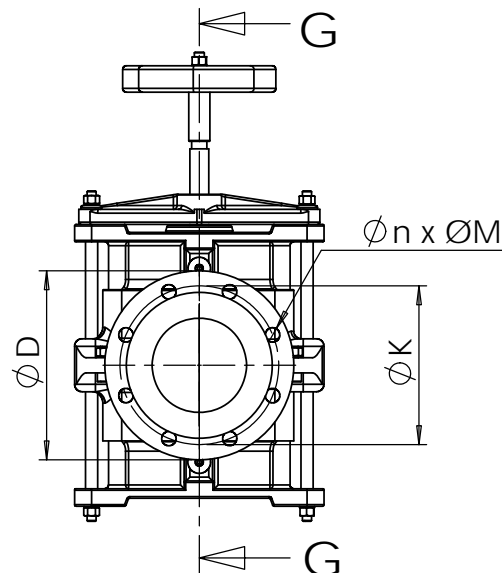
CONSTRUCTION

6	2	Jow	Cast iron
5	1	Beam	Cast iron
4	1	Stem	Stainless steel
3	1	Handwheel	Cast iron
2	1	Sleeve	Natural rubber anti-abrasion
1	1	Body	Cast aluminium
Pos.	Nb.	Description	Material



DIMENSIONS

DN		A	B	C	Ø D	Ø K	n x Ø M	H	Weight (kg)
mm	inch								
10	3/8"	65	100	60	90	60	4 x 14	145	0.6
15	1/4"	80	115	60	95	65	4 x 14	165	0.8
20	3/4"	95	150	70	105	75	4 x 14	210	1.3
25	1"	106	160	80	115	85	4 x 14	230	1.8
32	1 1/4"	115	178	80	140	100	4 x 18	255	2.8
40	1 1/2"	140	212	100	150	110	4 x 18	305	4.0
50	2"	160	233	110	165	125	4 x 18	335	5.0
65	2 1/2"	190	260	140	185	145	8 x 18	380	6.5
80	3"	196	280	140	220	160	8 x 18	420	7.6
100	4"	260	330	200	220	180	8 x 18	500	9.2
125	5"	280	415	220	250	210	8 x 18	630	15.0
150	6"	300	445	240	285	240	8 x 22	680	14.5
175	7"	335	500	330	315	270	8 x 22	765	22.0
200	8"	350	550	330	340	295	8 x 22	840	27.0



WORKING CONDITIONS

Maximum working pressure :
 DN 10-65 : 4 bar.
 DN 80-200 : 3 bar.
 Maximum temperature : + 80°C.

STANDARDS

Connection according to standard EN 1092-2 ISO
 PN10/16/40 (DN10-40), PN10/16 (DN50-150), PN10 (DN175-200).

TECOFI France - 83, Rue Marcel Mérieux 69960 Corbas - FRANCE
 Tél. +33 (0) 4 72 79 05 79 - Fax +33 (0) 4 78 90 19 19 / +33 (0) 4 72 79 05 70
 Adresses e-mail : sales@tecofi.fr ; tecofi@tecofi.fr / Site web : www.tecofi.fr

The photographs and technical art works are not contractual. The specifications of the presented products are open to modifications without previous advice