

KNIFE GATE VALVE DUCTILE IRON BODY

TECHNICAL PASSPORT

THROUGH CONDUIT KNIFE GATE VALVE WITH DOUBLE ACTING PNEUMATIC ACTUATOR DUCTILE IRON BODY - BETWEEN FLANGES PN10

VGT 4400-03

APPLICATION

The TECOFI through conduit knife gate valve is particularly suitable for stationery applications: pulp outlet after pulping and defiberizing, purification consisting in isolating impurities such as varnish, paint, glue, staples or others..

Areas of application: paper-cardboard recycling units, paper factory, chemical plant.

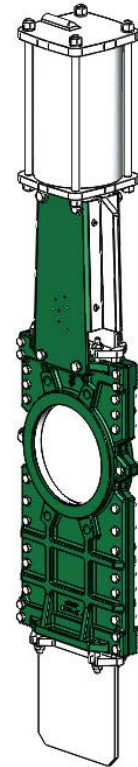


Fluids: water, paper pulp, fibrous products.

GENERAL CHARACTERISTICS

Range: from DN50 to DN400.

- Rising stem knife gate valve with longer body
- Bidirectional sealing with two parts (half-body) assembled by bolting.
- Small retention zone, absence of product deposit in the body
- Full bore in the open position
- Excellent sealing when the valve is closed
- Standard polished gate, soft contact with the gaskets
- Gate comes out on the outside of the body in the valve lower part
- With additional stuffing box system in the lower part
- Very resistant ductile iron packing flange avoids risks of breaks.
- Operating force reduced thanks to the elasticity of the gaskets.
- Preformed profiled sheet support plates from DN50 to DN300 for accessory or kit mounting.
- Full flow when fully opened, ensuring a high flow rate with low head loss.
- Flow regulation possible for pasty or abrasive fluids with installation of a deflector.



STANDARDS

Design	Manufacture according to the requirements of the European directive n° 2014/68/UE « Equipment under pressure » : modulate H.
Face to face	Face to face dimension according to TECOFI standard
Connection	Mounting between flanges in accordance with EN1092-2 and ISO 7005-1 : ISO PN10
Tests	Pressure test according to standards EN12266-1, DIN 3230, BS 5154 and ISO 5208.. - Body : WP x 1.5 bar - Seat : WP x 1.1 bar

PRODUCT APPROVALS



Tecofi France

83 rue Marcel Mérieux - 69960 Corbas
Tél. +33 (0)4 72 79 05 79 - Fax. +33 (0)4 78 90 19 19
E-mail : sales@tecofi.fr - www.tecofi.fr



KNIFE GATE VALVE DUCTILE IRON BODY

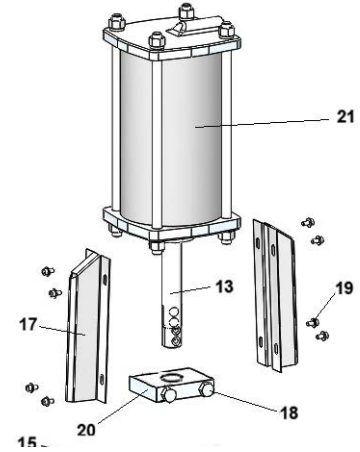
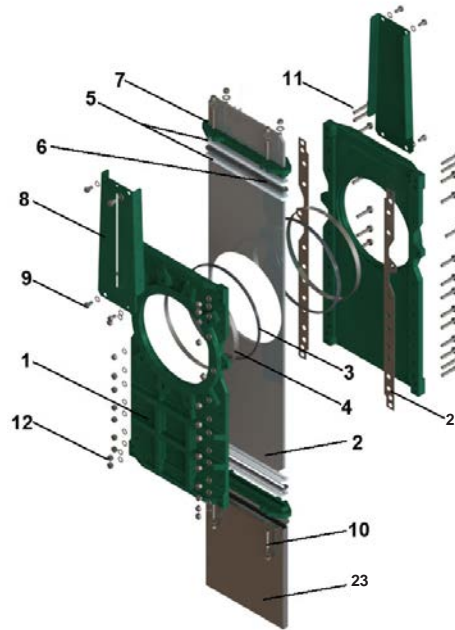
TECHNICAL PASSPORT

VGT 4400-03

CONSTRUCTION

The valves are coated with epoxy paint to protect them against corrosion

Component	Coating
Body (1)	Epoxy powder RAL 6005 150 microns
Support plate (8)	Epoxy liquid RAL 6005 70 microns
Packing gland (7)	



Pos..	Q-ty	Description	Material	Equivalences		
				DIN	ASTM	BS
1	2	Half body	Ductile iron EN-GJS-500-7	GGG 50	A536 65-70-50-05	1563 EN-JS1050
2	1	Gate	Stainless steel X5CrNi 18-10	X5CrNi 18 10	A 182 AISI 304	1449-2 304 S15
3	2	Seat gasket (1)	NBR			NBR
4	2	Support ring (1)	Stainless steel X5CrNi 18-10	X5CrNi 18 10	A 182 AISI 304	1449-2 304 S15
5	4	Packing	PTFE			
6	2	O ring	NBR			NBR
7	2	Packing gland	Ductile iron EN-GJS-400-15	GGG 40	A536 65-45-12	1563 EN-JS1030
8	2	Support plate	Steel			
9	4	Screw	Stainless steel A2-70			
10	8*	Tie rod, washer, nut	Stainless steel A2-70			
11	n	Screw	Zinc plated steel 8.8			
12	n	Nut + washer	Zinc plated steel 8.8			
13	1	Stem	Stainless steel 13% Cr	X12Cr13	AISI 410	
14	1	Detection screw	Stainless steel X5CrNi 18-10	X5CrNi 18 10	A 182 AISI 304	1449-2 304 S15
15	1	Screw	Stainless steel A2-70			
16	2	Nut	Stainless steel X5CrNi 18-10	X5CrNi 18 10	A 182 AISI 304	1449-2 304 S15
17	1	Protection plate	Stainless steel X5CrNi 18-10	X5CrNi 18 10	A 182 AISI 304	1449-2 304 S15
18	4	Screw	Stainless steel A2-70			
19	1	Screw	Stainless steel A2-70			
20	1	Top flange	Zinc plated steel			
21	1	Pneumatic actuator	Aluminium			
22	2	Body gasket	PTFE			
23	1	Bottom cover (1)	Stainless steel X5CrNi 18-10	X5CrNi 18 10	A 182 AISI 304	1449-2 304 S15

n - 10 (DN50); 12 (DN65); 16 (DN80-DN100) - 18 (DN125); 22 (DN150); 28 (DN300 -DN300); 32 (DN350); 34 (DN400)

* 16 (DN350-DN400)

(1) - in option

Tecofi France

83 rue Marcel Mérieux - 69960 Corbas

Tél. +33 (0)4 72 79 05 79 - Fax. +33 (0)4 78 90 19 19

E-mail : sales@tecofi.fr - www.tecofi.fr

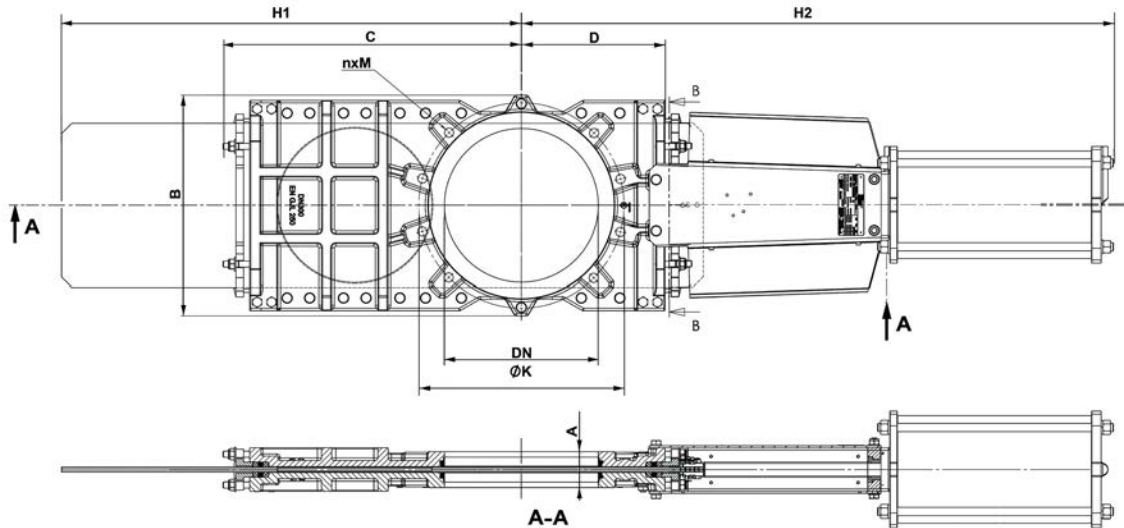


KNIFE GATE VALVE DUCTILE IRON BODY

TECHNICAL PASSPORT

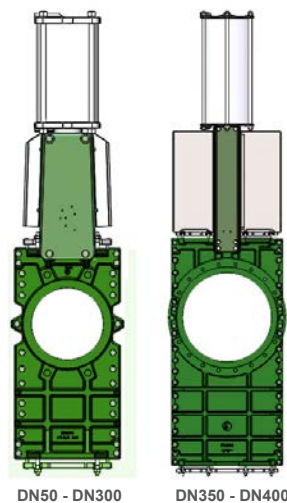
VGT 4400-03

DIMENSIONS



Dimension A - face à face suivant standard TECOFI

DN		A	B	H1		H2	D	Pression maxi (bar)	n-ØM	ØK	Poids (kg)
mm	inch			mini	maxi						
50	2"	40	150	162	221	412	118	10	4xM16	125	10
65	2 1/2"	40	168	190	264	458	124	10	4xM16	145	12
80	3"	50	184	216	297	502	135	10	4xM16	160	18
100	4"	50	205	247	354	562	150	10	4xM16	180	24
125	5"	50	220	304	430	635	162	10	4xM16	210	31
150	6"	60	240	228	530	718	178	10	4XM20	240	39
200	8"	60	313	413	641	885	210	10	4XM20	295	67
250	10"	70	373	487	772	1042	250	10	8XM20	350	126
300	12"	70	430	579	882	1164	280	6	8XM20	400	138
350	14"	96	528	654	1043	1362	358	6	10XM20	460	200
400	16"	100	586	731	1168	1542	415	6	10XM24	515	281



Tecofi France

83 rue Marcel Mérieux - 69960 Corbas
Tél. +33 (0)4 72 79 05 79 - Fax. +33 (0)4 78 90 19 19
E-mail : sales@tecofi.fr - www.tecofi.fr



KNIFE GATE VALVE DUCTILE IRON BODY

TECHNICAL PASSPORT

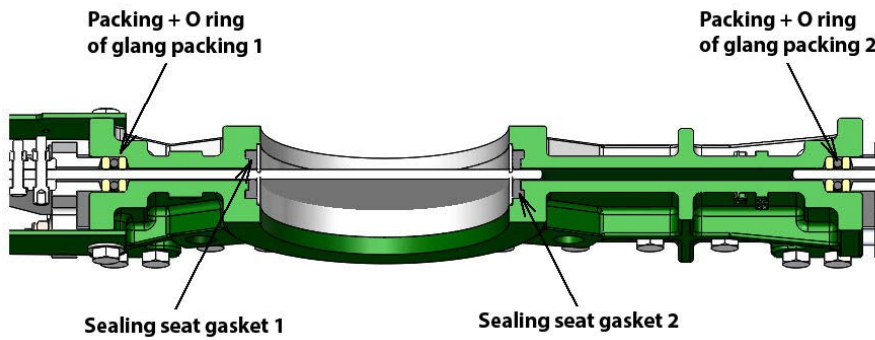
VGT 4400-03

WORKING CONDITIONS

Maximum working pressure : DN50-250 : 10 bar
DN300-400 : 6 bar

Maximum working temperature : -10°C / +80°C (NBR joint in standard)

Sealing system



Tecofi France

83 rue Marcel Mérieux - 69960 Corbas
Tél. +33 (0)4 72 79 05 79 - Fax. +33 (0)4 78 90 19 19
E-mail : sales@tecofi.fr - www.tecofi.fr

