

Ref. : VGM6205-00

Rev. : B

Date : 03/02/2020

Page : 1/1

WALL PENSTOCK

VGM 6205-00



APPLICATION

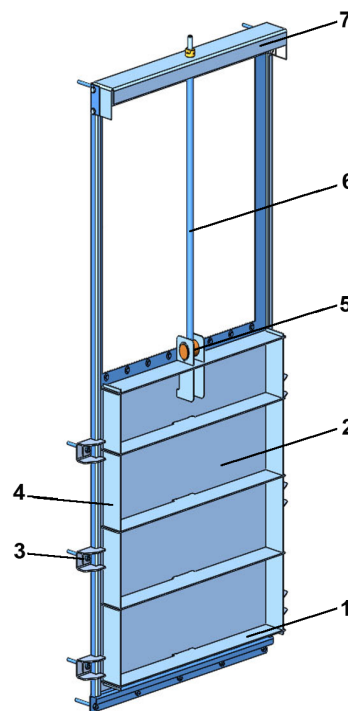
General use : waste water treatment plants, drain manifolds, hydroelectric power plants, storm tanks, desalination installations, irrigation installations.

GENERAL CHARACTERISTICS

Range : Dimensions from 200x200 to 1000x1000 mm.
 Bidirectionnal tightness.
 Fixed guide assures tightness under high fluid pressure.
 Non rising stem.

CONSTRUCTION

7	Yoke	Stainless steel AISI 304
6	Stem	Stainless steel AISI 304
5	Stem nut	RG 7
4	Side frame	Stainless steel AISI 304
3	Frame bracket	Stainless steel AISI 304
2	Gate	Stainless steel AISI 304
1	Frame	Stainless steel AISI 304
Pos.	Description	Material



DIMENSIONS

Dimension	A	B	C	H	D	E	NT*	Weight (kg)
200x200	340	498	645	100	49	705	40	24,4
300x300	440	598	845	100	49	905	60	32,1
400x400	540	698	1045	100	49	1105	80	43,3
500x500	640	798	1245	100	49	1305	100	52,6
600x600	740	898	1445	100	76	1505	120	64,7
700x700	840	998	1645	100	76	1705	140	76,9
800x800	940	1098	1845	100	76	1905	160	88,4
900x900	1040	1198	2045	100	76	2105	180	103,8
1000x1000	1140	1298	2245	100	76	2305	200	116,9

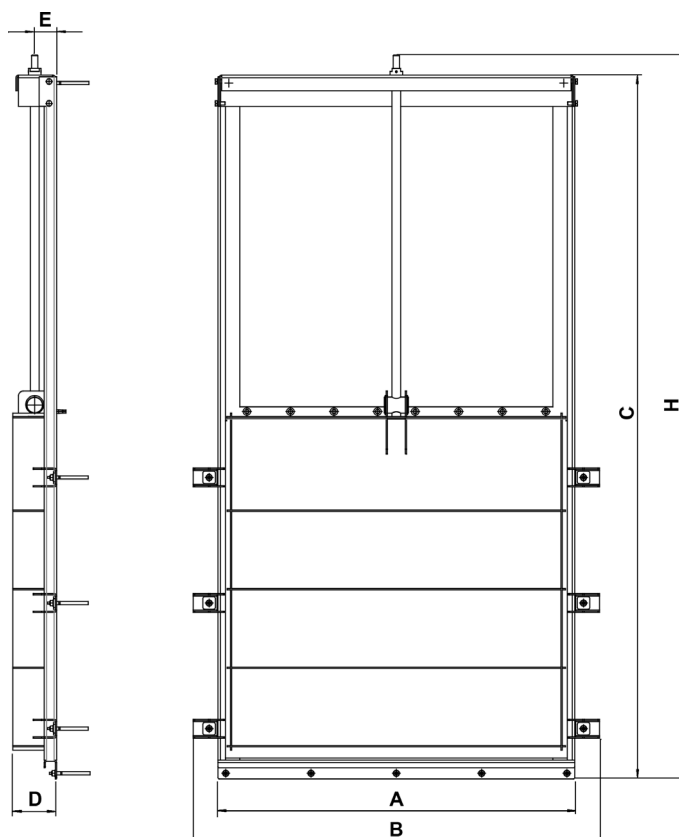
*- NT : Number of turns to close the valve.

WORKING CONDITIONS

Maximum working pressure : 6 mWC in both ways.
 Leakage rate according to DIN 19569-4 table 1, class 4.

STANDARDS

Certificate of Sanitary Conformity (ACS) in option on request.



The photographs and technical art works are not contractual. The specifications of the presented products are open to modifications without previous advice.