

WALL PENSTOCK

TECHNICAL PASSPORT

STAINLESS STEEL WALL PENSTOCK

VGM 6205-00

APPLICATION

The TECOFI wall valve is particularly suitable for isolation or control applications .

Area of use: runoff water treatment installations, retention and thunderstorms, purification and sanitation stations, lifting stations, etc.



- Fluids: water, waste water, charged water, rainwater, discharges, etc.

GENERAL CHARACTERISTICS

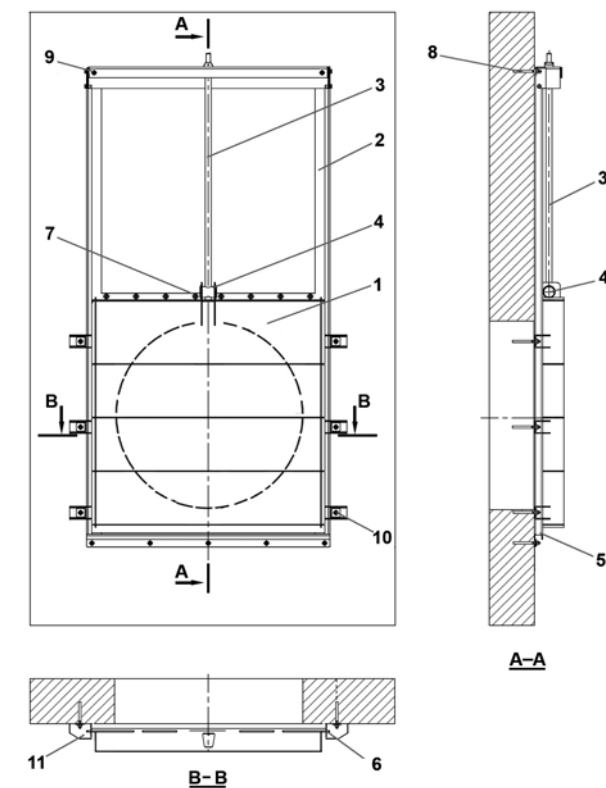
Range : Dimensions from 200x200 to 1000x1000.

Bi-directional sealing valve specially designed to withstand up to 6 meters of charge water column. Mechanically welded construction in robust stainless steel ensuring excellent resistance to corrosion and degradation. The valve consists of a low friction slide which moves over an opening in a frame, which is fixed to a structure.

The control is assured by a non rising threaded stem.

Leak rate according to DIN 19569-4 table 1, class 4.

CONSTRUCTION



Pos.	Q-ty	Description	Material	
1	1	Gate	SS 304 / 1.4301	
2	1	Frame	SS 304 / 1.4301	
3	1	Stem	SS 304 / 1.4301	
4	1	Stem nut	RG7	
5	1	Seal	EPDM	
6	2	Guide	POM-C	
7	4	Washer	SS A4	DIN 9021 8.4
8	11	Anchor rod	SS A4	ASTA M10x130
9	11	Adhesive capsule		UKA3 M10X90
10	6	Washer RK	SS 304 / 1.4301	
11	6	Frame bracket	SS 304 / 1.4301	T2(4) ED

PRODUCT APPROVALS



Certificate of Sanitary Conformity (ACS) in option on request.

Tecofi France

83 rue Marcel Mérieux - 69960 Corbas

Tél. +33 (0)4 72 79 05 79 - Fax. +33 (0)4 78 90 19 19

E-mail : sales@tecofi.fr - www.tecofi.fr

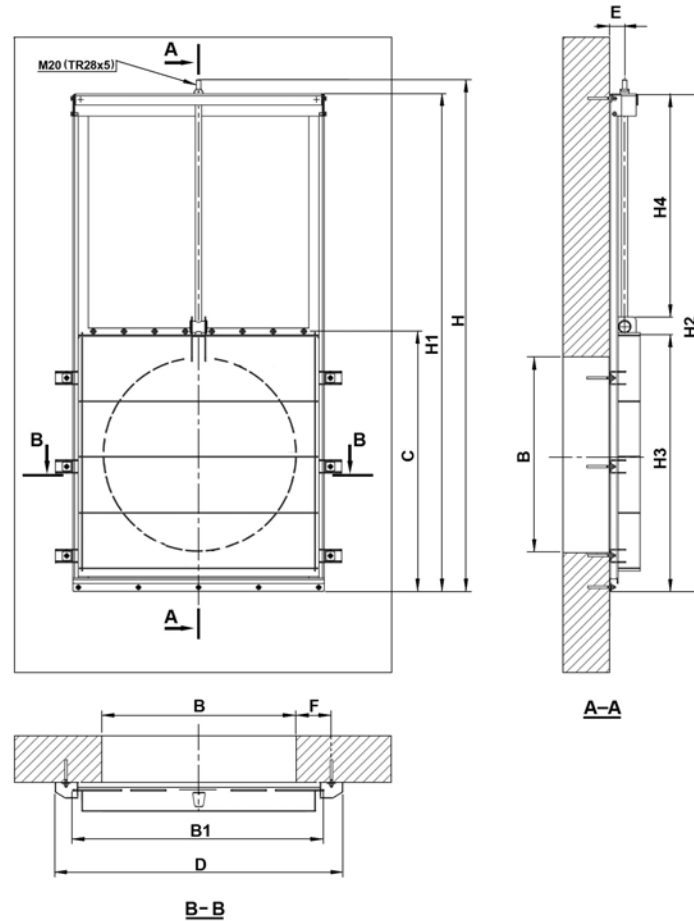


WALL PENSTOCK

TECHNICAL PASSPORT

VGM 6205-00

DIMENSIONS



Dimensions	B	B1	C	D	E	F	H	H1	H2	H3	H4	NT*	Weight (kg)
200x200	200	340	310	498	70	98	645	581	641	294	202	40	24.4
300x300	300	440	410	598	70	98	845	781	841	394	302	60	32.1
400x400	400	540	510	698	70	98	1045	981	1041	494	402	80	43.3
500x500	500	640	610	798	70	98	1245	1181	1241	594	502	100	52.6
600x600	600	740	710	898	70	98	1445	1381	1441	694	602	120	64.7
700x700	700	840	810	998	70	98	1645	1581	1641	794	702	140	76.9
800x800	800	940	910	1098	70	98	1845	1781	1841	894	802	160	88.4
900x900	900	1040	1010	1198	70	98	2045	1981	2041	994	902	180	103.8
1000x1000	1000	1140	1110	1298	70	98	2245	2181	2241	1094	1002	200	116.9

NT* - Number of turns to close the valve.

Tecofi France

83 rue Marcel Mérieux - 69960 Corbas
 Tél. +33 (0)4 72 79 05 79 - Fax. +33 (0)4 78 90 19 19
 E-mail : sales@tecofi.fr - www.tecofi.fr

