

Ref. : VGDEFLECTRI.pas

Rev. : C

Date : 22/07/2021

Page : 1/1

TRIANGULAR DEFLECTOR VGDEFLECTRI



Tecofi'
VALVE DESIGNER - FRANCE

APPLICATION

General use : Protect the body; avoid product penetration in the dead parts of the body and allows flow regulation.

GENERAL CHARACTERISTICS

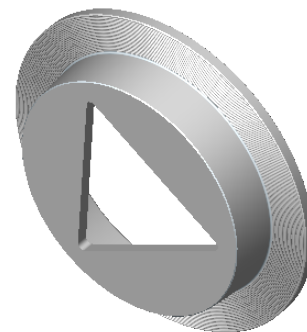
Range : from DN 50 to DN 400.

Triangular deflector.

Assembling without body machining.

Assembling with body machining on request.

The deflector should be mounted on the upstream side of the valve.

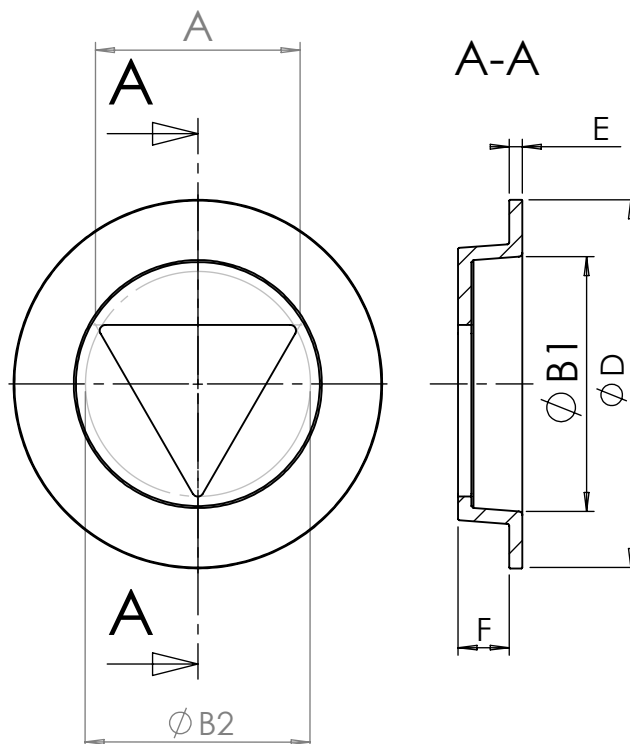


CONSTRUCTION

1		Triangular deflector	Stainless steel 316	DIN: X5CrNiMo18 10 ASTM: A 182 AISI 316 BS: 970 316 S16
Pos.	Qty.	Description	Material	

DIMENSIONS

DN	A	ØB1	ØB2	ØD	E	F	Weight (kg)
50	24	36	28	90	6	18	0,4
65	32	52	36	105	6	18	0,5
80	44	64	51	120	7	23	0,8
100	50	86	64	145	7	23	1,1
125	78	109	89	170	7	22	1,5
150	104	135	119	195	7	27	1,9
200	148	184	169	250	7	26	2,85
250	124	231	212	310	7	31	4,45
300	226	285	260	365	7	30	5,75
350	248	335	285	420	8	43	8,85
400	296	385	340	472	8	44	10,75
500	382	485	440	582	8	48,5	16,12



STANDARDS

Raised face according to standard NF EN 1092-1.