

KNIFE GATE VALVE CAST IRON BODY

TECHNICAL PASSPORT

KNIFE GATE VALVE - RISING STEM WITH ELECTRIC ACTUATOR AUMA CAST IRON BODY - BETWEEN FLANGES PN10

VG 3400-UX4

APPLICATION

The knife gate valve is particularly suitable for the most difficult applications.

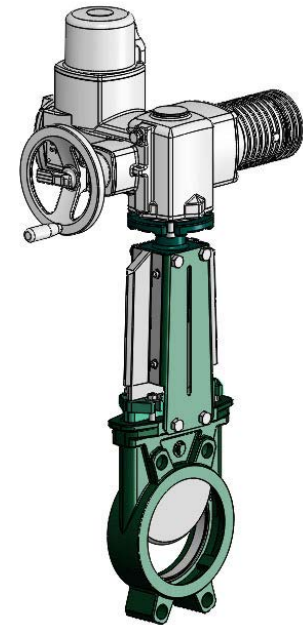
Area of use: water treatment networks, pulp and paper industry, chemical plants, winemaking, cement works, pneumatic transport, storage.



Fluids: water, sewage, pulp, pasty products, powdery, granular, fibrous, abrasive and crystallizing.

GENERAL CHARACTERISTICS

- Range: DN50 to DN1200.
- Knife Gate Valve on/off or regulation with rising stem.
- Molded monobloc body
- Unidirectional water tightness: Flow direction indicated on the body with an arrow.
- Installation between flanges ISO PN10.
- Small retention zone.
- Gate with a beveled cutting edge guided in the body with little backlash.
- Guaranteed closure, without risk of blockage.
- Standard polished gate, soft contact with the gaskets.
- Very resistant ductile iron packing flange avoids risks of breaks.
- Operating force reduced thanks to the elasticity of the gaskets.
- Pre-formed profiled sheet metal support plates from DN50 to DN300 for accessory or kit mounting.
- Full flow when fully opened, ensuring a high flow rate with low head loss.
- Flow regulation possible for pasty or abrasive fluids with installation of a deflector.



References	Actuator types
VG 3400-U04	AUMA 400V 3PH
VG 3400-U24	AUMA 230V 1PH

STANDARD

Design	Manufacture according to the requirements of the European directive n° 2014/68/UE «Equipment under pressure» : modulate H.					
	In option: product conform to European directive ATEX «ATmosphère EXplosive» n° 2014/34/UE.					
Face to face	Face to face dimension according to TECOFI standard					
Connection	Mounting between flanges in accordance with EN1092-2 and DIN 2501 : ISO PN10					
Tests	Pressure test according to standards EN12266-1, DIN 3230, BS 5154 and ISO 5208.					
	DN	Body	Seat	DN	Body	Seat
	DN50-250 :	15 bar	11 bar	DN300-450:	10,5 bar	7.7 bar
DN500-600:	6 bar	4.4 bar	DN700-1200;	3 bar	2.2 bar	

PRODUCT APPROVALS



On request

Tecofi France

83 rue Marcel Mérieux - 69960 Corbas
Tél. +33 (0)4 72 79 05 79 - Fax. +33 (0)4 78 90 19 19
E-mail : sales@tecofi.fr - www.tecofi.fr



KNIFE GATE VALVE CAST IRON BODY

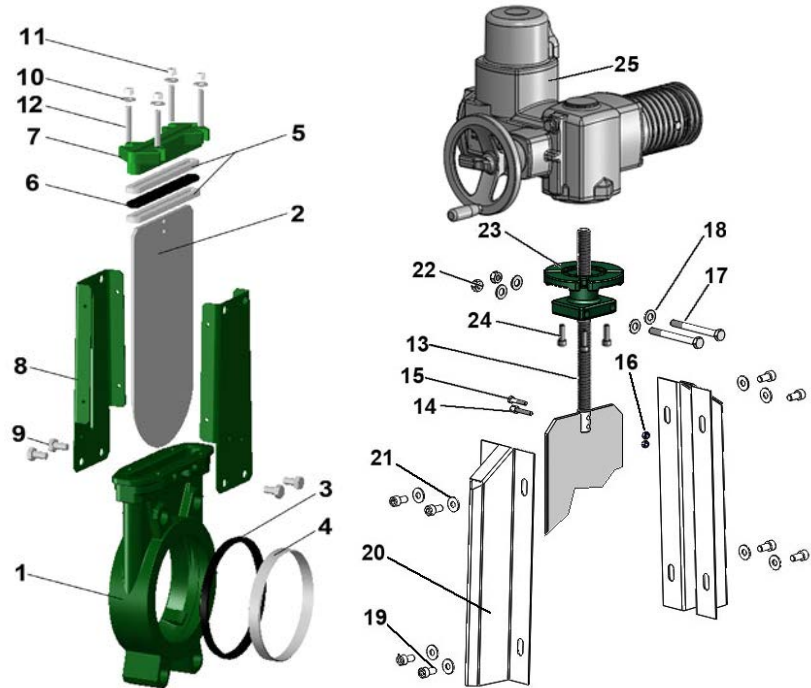
TECHNICAL PASSPORT

VG 3400-UX4

CONSTRUCTION

The valves are coated with epoxy paint to protect them against corrosion

Constituant	Revêtement
Body (1)	Epoxy powder RAL 6005 150 microns
Support plate(8)	Liquid epoxy RAL 6005 70 microns
Packing gland (7)	
ISO plate (23)	



Pos.	Q-ty	Description	Material	Equivalence		
				DIN	ASTM	BS
1	1	Body	Cast iron EN-GJL-250	GG25	A48 class 40B	1452 Grade 250
2	1	Gate	Stainless steel 304	X5CrNi 18 10	A 182 AISI 304	1449-2 304 S15
3	1	Seat gasket (1)	NBR			NBR
4	1	Support ring (1)	Stainless steel X5CrNi 18 10	X5CrNi 18 10	A 182 AISI 304	1449-2 304 S15
5	2	Packing	PTFE			
6	1	O-Ring	NBR			NBR
7	1	Packing gland	Ductile iron EN-GJS-400-15	GGG40	A536 65-45-12	1563 EN-JS1030
8	2	Support plate	Steel			
9	4*	Screw	Stainless steel A2-70			
10	4*	Washer	Stainless steel A2-70			
11	4*	Nut	Stainless steel A2-70			
12	4*	Tie rod	Stainless steel A2-70			
13	1	Stem	Stainless steel 13% Cr	X12CR13	AISI 410	
14	1	Detection screw	Stainless steel X5CrNi 18 10	X5CrNi 18 10	A 182 AISI 304	1449-2 304 S15
15	1	Screw	Stainless steel A2-70			
16	2	Nut	Stainless steel X5CrNi 18 10	X5CrNi 18 10	A 182 AISI 304	1449-2 304 S15
17	2	Screw	Stainless steel A2-70			
18	4	Washer	Stainless steel A2-70			
19	8	Screw	Stainless steel A2-70			
20	2	Protection cap	Stainless steel X5CrNi 18 10	X5CrNi 18 10	A 182 AISI 304	1449-2 304 S15
21	8	Washer	Stainless steel A2-70			
22	2	Nut	Stainless steel A2-70			
23	1	ISO 5210 plate	Steel A45			
24	4	Screw	Stainless steel A2-70			
25	1	Electric actuator	AUMA model			

* - 8 for DN350-400; - 12 for DN450-900 and 16 for DN1000-1200 (1) - Parts missing on metal/metal sealing

Tecofi France

83 rue Marcel Mérioux - 69960 Corbas
Tél. +33 (0)4 72 79 05 79 - Fax. +33 (0)4 78 90 19 19
E-mail : sales@tecofi.fr - www.tecofi.fr



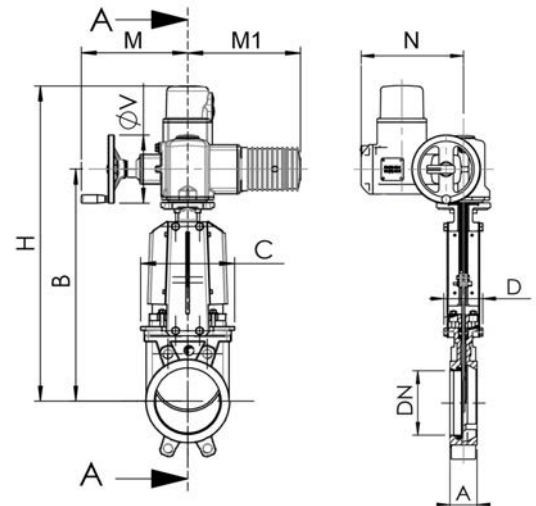
KNIFE GATE VALVE CAST IRON BODY

TECHNICAL PASSPORT

VG 3400-UX4

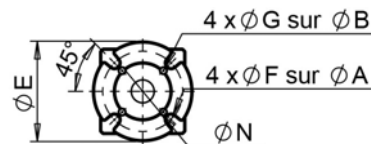
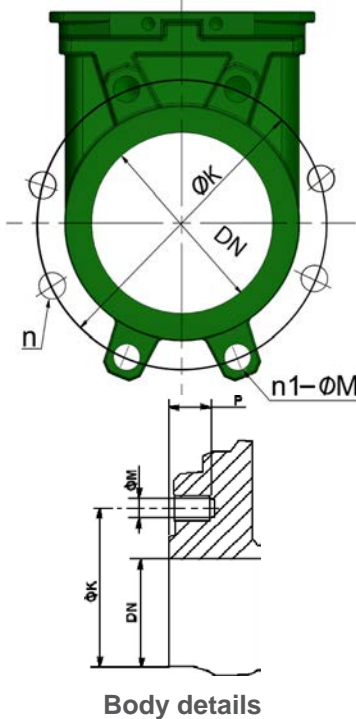
DIMENSIONS

DN		Type moteur	A	B	C	D	M	M1	N	ØV	H	Poids (kg)
mm	inch											
50	2"	SA07.2	40	383	124	83	249	265	238	160	578	27
65	2 1/2"	SA07.2	40	408	139	83	249	265	238	160	603	29
80	3"	SA07.2	50	433	154	83	249	265	238	160	628	30
100	4"	SA07.2	50	478	174	83	249	265	238	160	673	31
125	5"	SA07.6	50	516	189	93	249	265	238	160	711	38
150	6"	SA07.6	60	567	220	93	249	265	238	160	762	42
200	8"	SA07.6	60	686	275	108	249	265	238	160	881	57
250	10"	SA10.2	70	778	326	108	254	282	248	200	973	75
300	12"	SA7.6	70	887	380	108	249	265	238	160	1082	87
350	14"	SA10.2	96	990	438	290	254	283	248	200	1185	137
400	16"	SA10.2	100	1100	494	290	254	283	248	200	1295	167
450	18"	SA14.2	106	1225	547	290	336	389	286	315	1430	231
500	20"	SA14.2	110	1335	613	290	336	389	286	315	1540	266
600	24"	SA14.2	110	1539	716	290	336	389	286	315	1744	310
700	28"	SA14.6	110	1738	835	320	339	389	286	400	1964	-
800	32"	SA14.6	110	1953	972	320	339	389	286	400	2179	-
900	36"	SA14.6	110	2226	1041	320	339	389	286	400	2452	-
1000	40"	SA14.6	110	2410	1152	320	339	389	286	400	2636	-
1200	48"	SA16.2	150	2847	1255	400	365	430	303	500	3077	-



Dimension A - face à face suivant standard TECOFI

MOUNTING



Embase ISO

DN		Maximum pressure (bar)	n	n1-ØM	P	ØK	ISO plate	ØA	ØB	ØE	ØF	ØG	ØN
mm	inch												
50	2"	10	4	4xM16	8	125	F07/F10	70	102	125	9	11	70
65	2 1/2"	10	4	4xM16	8	145	F07/F10	70	102	125	9	11	70
80	3"	10	8	4xM16	9	160	F07/F10	70	102	125	9	11	70
100	4"	10	8	4xM16	9	180	F07/F10	70	102	125	9	11	70
125	5"	10	8	4xM16	9	210	F07/F10	70	102	125	9	11	70
150	6"	10	8	4XM20	10	240	F07/F10	70	102	125	9	11	70
200	8"	10	8	4XM20	12	295	F10	102	-	125	12	-	70
250	10"	10	12	8XM20	12	350	F10	102	-	125	12	-	70
300	12"	7	12	8XM20	19	400	F10	102	-	125	12	-	70
350	14"	7	16	10XM20	20	460	F10/F14	102	140	175	11	17	100
400	16"	7	16	10XM24	24	515	F10/F14	102	140	175	11	17	100
450	18"	7	20	14XM24	24	565	F10/F14	102	140	175	11	17	100
500	20"	4	20	14XM24	24	620	F10/F14	102	140	175	11	17	100
600	24"	4	20	14XM27	24	725	F10/F14	102	140	175	11	17	100
700	28"	2	24	16XM27	29	840	F14	140	-	175	17	-	100
800	32"	2	24	16XM30	29	950	F14	140	-	175	17	-	100
900	36"	2	28	20XM30	40	1050	F16	165	-	210	23	-	130
1000	40"	2	28	20XM33	40	1160	F16	165	-	210	23	-	130
1200	48"	2	32	24XM36	40	1380	F16	165	-	210	23	-	130

n- Total number of holes
n1- number of threaded holes

Tecofi France

83 rue Marcel Mérioux - 69960 Corbas
Tél. +33 (0)4 72 79 05 79 - Fax. +33 (0)4 78 90 19 19
E-mail : sales@tecofi.fr - www.tecofi.fr



KNIFE GATE VALVE CAST IRON BODY

TECHNICAL PASSPORT

VG 3400-UX4

WORKING CONDITIONS

Maximum working pressure: DN50-250 : 10 bar
 DN300-450 : 7 bar
 DN500-600 : 4 bar
 DN700-1200 : 2 bar

Maximum working temperature : -10°C / +80°C (standard tightness)

⚠ The above mentioned pressures are only valid if the direction of assembly indicated by the arrow on the valves is observed.

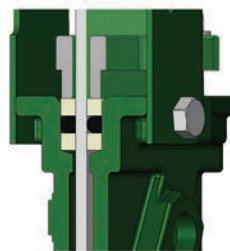
Upstream/downstream tightness



Elastomer tightness

Metal/metal tightness

Packing tightness



PTFE/élastomer

Tightness in option

Tightness	Maximum temperature
Metal/metal	Tmax : -10°C / +80°C
White NBR	Tmax : -10°C / +80°C
EPDM	Tmax : -10°C / +130°C
Silicone	Tmax : -10°C / +170°C
FPM (Type Viton®)	Tmax : -10°C / +170°C
PTFE	Tmax : +4°C / +170°C
CSM (Type Hypalon®)	Tmax : +4°C / +80°C

⚠ To ensure a satisfactory tightness, when using the PTFE gasket, the operating pressure must be at least 1 bar.

FLOWS

Flow rates of valves under different differential pressure (m³/h)

DN		0.2 bar	0.4 bar	0.6 bar	0.8 bar	1.0 bar
mm	inch					
50	2"	93	134	165	185	206
65	2 1/2"	129	180	213	268	309
80	3"	191	309	371	422	494
100	4"	443	618	721	824	927
125	5"	700	927	1133	1339	1545
150	6"	927	1339	1545	1906	2060
200	8"	1597	2369	2987	3399	4017
250	10"	2472	3502	4429	5150	5665
300	12"	4120	5665	6798	7828	8755
350	14"	5335	7372	8730	9700	11640
400	16"	6693	9312	11640	13580	15520
450	18"	8342	12610	14550	16490	18430
500	20"	9700	14550	17460	19400	22310
600	24"	14550	19400	25220	29100	33950
700	28"	17460	21100	36860	42680	48500
800	32"	25220	38800	48500	52380	58200
900	36"	34920	50440	61110	67900	77600
1000	40"	46560	62080	77600	87300	97000
1200	48"	62080	87300	106700	121250	145500

The column of the table under 1 bar gives the values of the Kvs of the valves.

Tecofi France

83 rue Marcel Mérieux - 69960 Corbas
 Tél. +33 (0)4 72 79 05 79 - Fax. +33 (0)4 78 90 19 19
 E-mail : sales@tecofi.fr - www.tecofi.fr

