

Ref. : VAS6843SW

Rev. : Initial

Date : 12/01/2015

Page : 1/1

FORGED STAINLESS STEEL GATE VALVE 800LBS

VAS 6843SW



Tecofi
VALVE DESIGNER - FRANCE

APPLICATION

General use: Petroleum industry, steam, high pressure.

GENERAL CHARACTERISTICS

Standard port.
Rising stem non rotating (OS&Y).
Bolted bonnet and gland pack.
Forged stainless steel.
½ stellite (Trim 10 standard stainless steel 316).
800 lbs.

CONSTRUCTION

| 16 | Wheel nut | Carbon steel |
|------|---------------|---------------------------------------|
| 15 | Name plate A | Aluminium |
| 14 | Handwheel | Carbon steel |
| 13 | Yoke nut | Stainless steel ASTM A582 type 303 |
| 12 | Gland nut | Steel ASTM A194 GR.8 |
| 11 | Gland flange | Stainless steel ASTM A182 F304 |
| 10 | Gland tie rod | Steel ASTM A193 B8 |
| 9 | Gland | Stainless steel ASTM A479 type 304 |
| 8 | Packing Gr | Graphite |
| 7 | Bolt | Steel ASTM A193 B8 |
| 6 | Stem | Stainless steel ASTM A479 type 316 |
| 5 | Bonnet | Stainless steel ASTM A182 F316 |
| 4 | Gasket | Stainless steel 316 + graphite spiral |
| 3 | Seat | Stainless steel ASTM A479 type 316 |
| 2 | Wedge | Stainless steel ASTM A182 F316 |
| 1 | Body | Stainless steel ASTM A182 F316 |
| Pos. | Description | Material |

DIMENSIONS

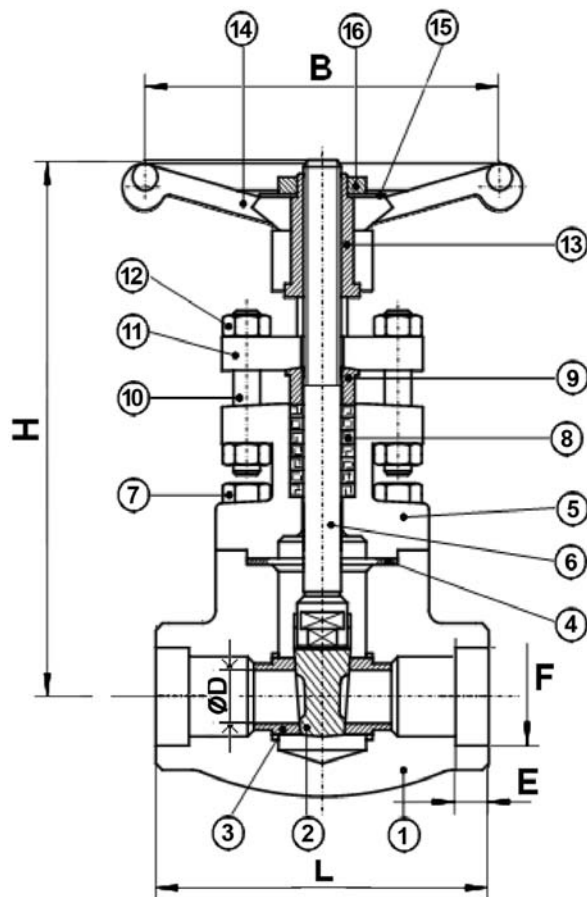
| DN | | L | H (opened) | ØD | ØB | E (SW) | ØF (SW) | Weight (kg) |
|----|--------|-----|------------|-----|-----|--------|---------|-------------|
| mm | inch | | | | | | | |
| 10 | 3/8" | 80 | 48 | 9.6 | 90 | 11.1 | 17.6 | 1.84 |
| 15 | 1/2" | 80 | 48 | 9.6 | 90 | 12.7 | 21.72 | 1.84 |
| 20 | 3/4" | 90 | 53 | 14 | 90 | 14.5 | 27.05 | 2.06 |
| 25 | 1" | 110 | 63 | 18 | 110 | 16.3 | 37.8 | 3.56 |
| 32 | 1 1/4" | 127 | 76 | 24 | 110 | 17.5 | 42.54 | 4.95 |
| 40 | 1 1/2" | 127 | 83 | 30 | 130 | 19 | 48.64 | 6.6 |
| 50 | 2" | 127 | 96 | 36 | 130 | 22 | 61.11 | 9 |

WORKING CONDITIONS

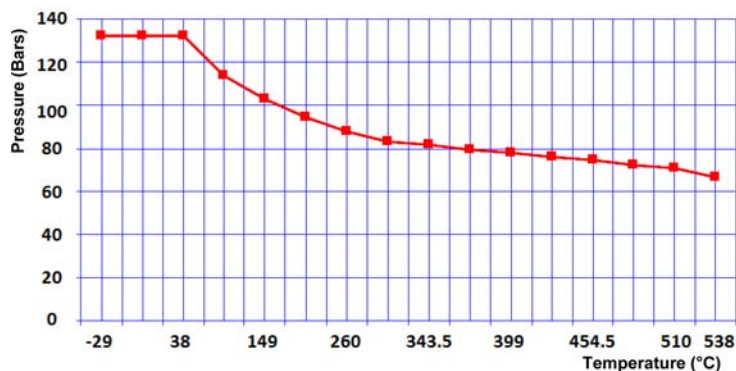
Maximum working pressure : 138 bar.
Maximum working temperature : -29°C/+538°C.

STANDARDS

Fabrication according to **ISO 9001 : 2008**
DIRECTIVE 2014/68/UE
Risk category III module H
Designing according to **ISO 15761** and **API 602** 8th
Approval certificate **API 6D**
Tests according to **API 598**
Approval certificate Russian Federation **GOST-R**
Valves approved by the main oil industries.
ATEX Group II Category 2 G/2D Zone 1 & 21 Zone 2 & 22.
Socket Welding (SW) connection.



PRESSURE / TEMPERATURE GRAPH



TECOFI France - 83, Rue Marcel Mérieux 69960 Corbas - FRANCE
Tél. +33 (0) 4 72 79 05 79 - Fax +33 (0) 4 78 90 19 19 / +33 (0) 4 72 79 05 70
Adresses e-mail : sales@tecofi.fr ; tecofi@tecofi.fr / Site web : www.tecofi.fr