

Ref. : VAS6843NPT

Rev. : Initial

Date : 12/01/2015

Page : 1/1

# FORGED STAINLESS STEEL GATE VALVE 800LBS

## VAS 6843NPT



Tecofi'φ

VALVE DESIGNER - FRANCE

### APPLICATION

General use: Petroleum industry, steam, high pressure.

### GENERAL CHARACTERISTICS

Standard port.  
Rising stem non rotating (OS&Y).  
Bolted bonnet and gland pack.  
Forged stainless steel.  
½ stellite (Trim 10 standard stainless steel 316).  
800 lbs.

### CONSTRUCTION

16	Wheel nut	Carbon steel
15	Name plate A	Aluminium
14	Handwheel	Carbon steel
13	Yoke nut	Stainless steel ASTM A582 type 303
12	Gland nut	Steel ASTM A194 GR.8
11	Gland flange	Stainless steel ASTM A182 F304
10	Gland tie rod	Steel ASTM A193 B8
9	Gland	Stainless steel ASTM A479 type 304
8	Packing Gr	Graphite
7	Bolt	Steel ASTM A193 B8
6	Stem	Stainless steel ASTM A479 type 316
5	Bonnet	Stainless steel ASTM A182 F316
4	Gasket	Stainless steel 316 + graphite spiral
3	Seaf	Stainless steel ASTM A479 type 316
2	Wedge	Stainless steel ASTM A182 F316
1	Body	Stainless steel ASTM A182 F316
<b>Pos.</b>	<b>Description</b>	<b>Material</b>

### DIMENSIONS

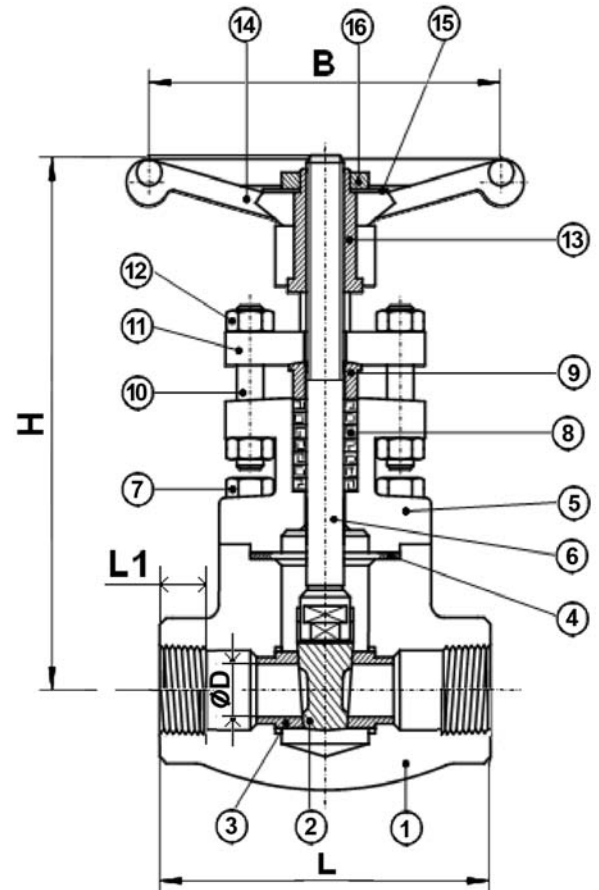
DN		L	H (opened)	ØD	ØB	L1	Weight (kg)	
mm	inch							
10	3/8"	80	14	8	9.6	90	13	1.84
15	1/2"	80	14	8	9.6	90	15	1.84
20	3/4"	90	16	3	14	90	18	2.06
25	1"	110	1	78	18	110	19	3.56
32	1 1/4"	127	2	10	24	110	20	4.95
40	1 1/2"	127	2	43	30	130	21	6.6
50	2"	127	2	62	36.5	130	21	9

### WORKING CONDITIONS

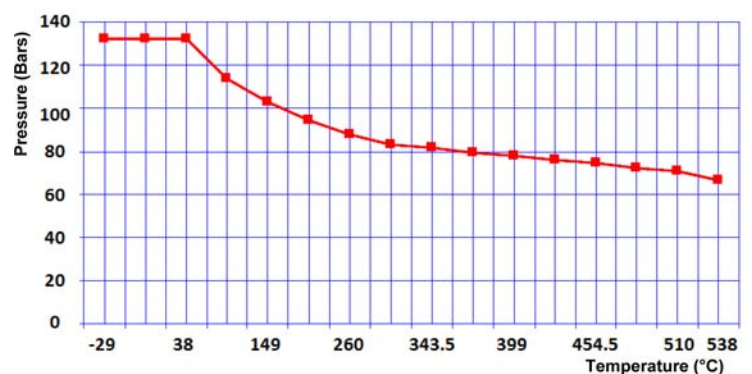
Maximum working pressure : 138 bar.  
Maximum working temperature : -29°C/+538°C.

### STANDARDS

Fabrication according to **ISO 9001 : 2008**  
DIRECTIVE 2014/68/UE  
Risk category III module H  
Designing according to **ISO 15761** and **API 602** 8th  
Approval certificate **API 6D**  
Tests according to **API 598**  
Approval certificate Russian Federation **GOST-R**  
Valves approved by the main oil industries.  
ATEX Group II Category 2 G/2D Zone 1 & 21 Zone 2 & 22.  
Threaded female NPT ends according to ANSI B1.20.1.



### PRESSURE / TEMPERATURE GRAPH



**TECOFI France** - 83, Rue Marcel Mérieux 69960 Corbas - FRANCE  
Tél. +33 (0) 4 72 79 05 79 - Fax +33 (0) 4 78 90 19 19 / +33 (0) 4 72 79 05 70  
Adresses e-mail : sales@tecofi.fr ; tecofi@tecofi.fr / Site web : [www.tecofi.fr](http://www.tecofi.fr)