

Ref. : VAS5843SW.pas

Rev. : Initial

Date : 08/01/2015

Page : 1/1

FORGED GATE VALVE 800LBS

VAS 5843SW



Tecofi
VALVE DESIGNER - FRANCE

APPLICATION

General use: Petroleum industry, steam, high pressure.

GENERAL CHARACTERISTICS

Standard port.
Rising stem non rotating (OS&Y).
Bolted bonnet and gland pack.
Forged Carbon.
½ stellite (Trim 8).
800 lbs.

CONSTRUCTION

16	Wheel nut	Carbon steel
15	Flange plate A	Aluminium
14	Handwheel	Carbon steel
13	Yoke nut	Steel ASTM A582 type 416
12	Gland nut	Steel ASTM A194 2H
11	Gland flange	Steel ASTM A105
10	Gland tie rod	SS 410
9	Gland	SS ASTM A276 type 410
8	Packing Gr	Graphite
7	Bolt	Steel ASTM A193 B7
6	Stem	SS ASTM A276 type 410
5	Bonnet	Steel ASTM A105N
4	Gasket	SS 316 + graphite spiral wound
3	Seat	SS ASTM A276 type 410 + Stellite GR.6'
2	Wedge	Steel ASTM A182 F6
1	Body	Steel ASTM A105N
Pos.	Description	Material

DIMENSIONS

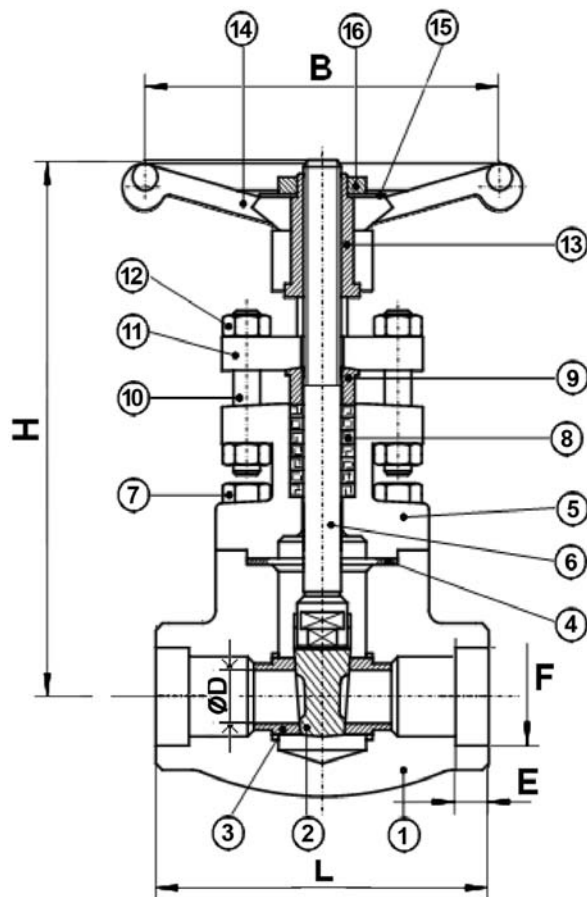
DN		L	H (opened)	ØD	ØB	E (SW)	ØF (SW)	Weight (kg)
mm	inch							
10	3/8"	80	48.9	.6	90	11.1	17.6	1.84
15	1/2"	80	48.9	.6	90	12.7	21.72	1.84
20	3/4"	90	63	14	90	14.5	27.05	2.06
25	1"	110	78	18	110	16	33.78	3.35
32	1 1/4"	127	100	24	110	17.5	42.54	4.09
40	1 1/2"	127	143	30	130	19	48.64	6.05
50	2"	127	162	36.5	130	22	61.11	8.08

WORKING CONDITIONS

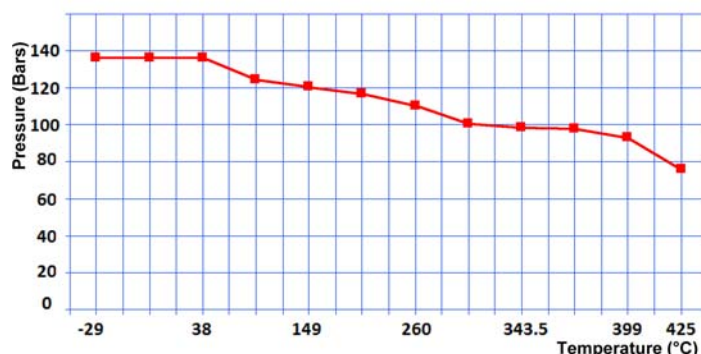
Maximum working pressure : 138 bar.
Maximum working temperature : -29°C/+425°C.

STANDARDS

Fabrication according to **ISO 9001 : 2008**
DIRECTIVE 2014/68/UE
Risk category III module H
Designing according to **ISO 15761** and **API 602** 8th
Approval certificate **API 6D**
Tests according to **API 598**
Approval certificate Russian Federation **GOST-R**
Valves approved by the main oil industries.
ATEX Group II Category 2 G/2D Zone 1 & 21 Zone 2 & 22.
Socket Welding (SW) connection.



PRESSURE / TEMPERATURE GRAPH



TECOFI France - 83, Rue Marcel Mérieux 69960 Corbas - FRANCE
Tél. +33 (0) 4 72 79 05 79 - Fax +33 (0) 4 78 90 19 19 / +33 (0) 4 72 79 05 70
Adresses e-mail : sales@tecofi.fr ; tecofi@tecofi.fr / Site web : www.tecofi.fr