

Ref. : VAS5842NPT

Rev. : Initial

Date : 08/01/2015

Page : 1/1

FORGED GATE VALVE WELDED BONNET 800LBS

VAS 5842NPT



APPLICATION

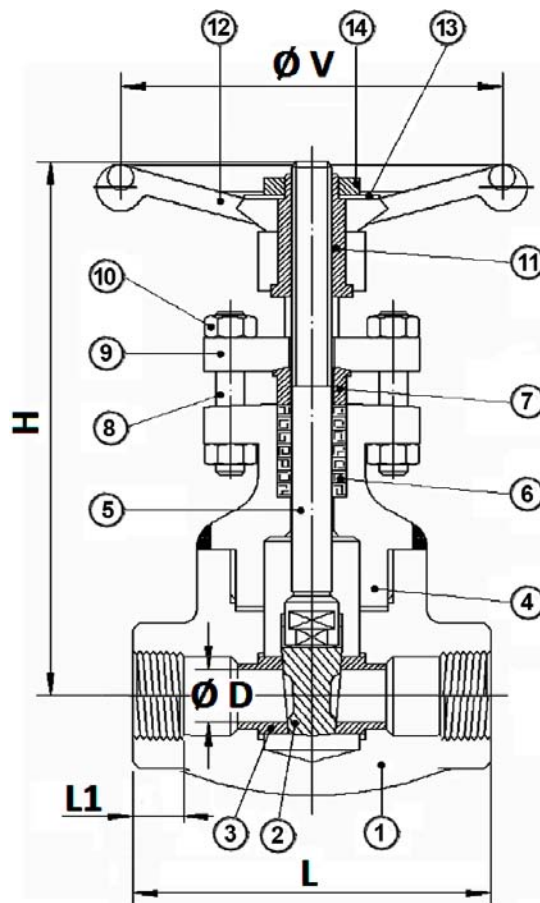
General use: Petroleum industry, steam, high pressure.

GENERAL CHARACTERISTICS

Standard bore
Rising non rotating stem (OS&Y)
Welded bonnet
Bolted gland pack
Forged carbon steel A105N
Full stellite (Trim 5)
800 lbs

CONSTRUCTION

| 14 H | andwheel nut | Carbon steel |
|------|-----------------|--------------------------------|
| 13 I | D plate A | luminium |
| 12 H | andwheel | Carbon steel |
| 11 | Yoke nut | Steel ASTM A473 type 416 |
| 10 | Gland nut | Steel ASTM A194 2H |
| 9 | Gland flange | Steel ASTM A105 |
| 8 | Packing tie rod | UNS S41000 |
| 7 G | land | UNS S41000 |
| 6 P | acking Gr | aphite |
| 5 | Stem | SS ASTM A276 type 410 |
| 4 B | onnet | Steel ASTM A105N |
| 3 | Seat | SS ASTM A276 type 410 Stellite |
| 2 | Wedge | Steel ASTM A182 F6a stellite |
| 1 | Body | Steel ASTM A105N |
| Pos. | Description | Material |



DIMENSIONS

| DN | | L | H (opened) | ØD | ØV | L1 | Weight (kg) |
|----|--------|-----|---------------|-----|-----|----|----------------|
| mm | inch | | | | | | |
| 15 | 1/2" | 80 | 48.9 | 6 | 80 | 15 | 1.6 |
| 20 | 3/4" | 90 | 63 | 14 | 80 | 18 | 2.2 |
| 25 | 1" | 110 | 78 | 18 | 110 | 19 | 3.5 |
| 32 | 1 1/4" | 127 | 10 | 24 | 110 | 20 | 5 |
| 40 | 1 1/2" | 127 | 43 | 30 | 130 | 21 | 6.3 |
| 50 | 2" | 127 | 62.3 | 6.5 | 130 | 21 | 8 |

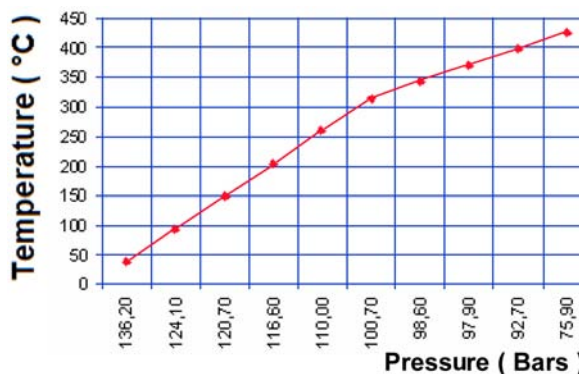
WORKING CONDITIONS

Maximum working pressure : 136 bar.
Maximum working temperature : -29°C/+425°C.

STANDARDS

Fabrication according to **ISO 9001 : 2008**.
DIRECTIVE 2014/68/UE Risk category III module H.
Designing according to **ISO 15761** and **API 602** 8th.
Approval certificate **API 6D**.
Tests according to **API 598**.
Approval certificate Russian Federation **GOST-R**.
Valves approved by the main oil industries .
ATEX Group II Category 2 G/2D Zone 1 & 21 Zone 2 & 22.
Threaded female NPT ends according to **ANSI B1.20.1**.

PRESSURE / TEMPERATURE GRAPH



TECOFI France - 83, Rue Marcel Mérieux 69960 Corbas - FRANCE
Tél. +33 (0) 4 72 79 05 79 - Fax +33 (0) 4 78 90 19 19 / +33 (0) 4 72 79 05 70
Adresses e-mail : sales@tecofi.fr ; tecofi@tecofi.fr / Site web : www.tecofi.fr

The photographs and technical art works are not contractual. The specifications of the presented products are open to modifications without previous advice.