

Ref. : VAS5763SW

Rev. : Initial

Date : 12/01/2015

Page : 1/1

FORGED GATE VALVE 1500LBS

VAS 5763SW



Tecofi
VALVE DESIGNER - FRANCE

APPLICATION

General use: Petroleum industry, steam, high pressure.

GENERAL CHARACTERISTICS

Full bore
Rising non rotating stem (OS&Y)
Bolted bonnet
Bolted gland pack
Forged carbon steel ASTM A 350 LF2
1/2 stellite (Trim 12)
1500 lbs

CONSTRUCTION

16	H andwheel nut C	arbon steel
15	I D plate A	luminium
14	H andwheel	Carbon steel
13	Yoke nut	ASTM A473 type 416
12	Packing nut	ASTM A194 Gr.4
11	Gland packing	ASTM A182 F6a Cl 2
10	Gland tie rod	ASTM A320 L7
9	G land	UNS S31600/S31603
8	Pa cking Gr	aphite
7	S crew	ASTM A320 L7
6	S tem	ASTM A479 316/316L
5	B onnet	ASTM A350 LF2
4	Gasket	SS 316 + graphite spiral
3	S eat	ASTM A479 S31600/S31603 + Stellite GR.6'
2	Wedg e	ASTM A182 316/316L
1	B ody	ASTM A350 LF2
Pos.	Description	Material

DIMENSIONS

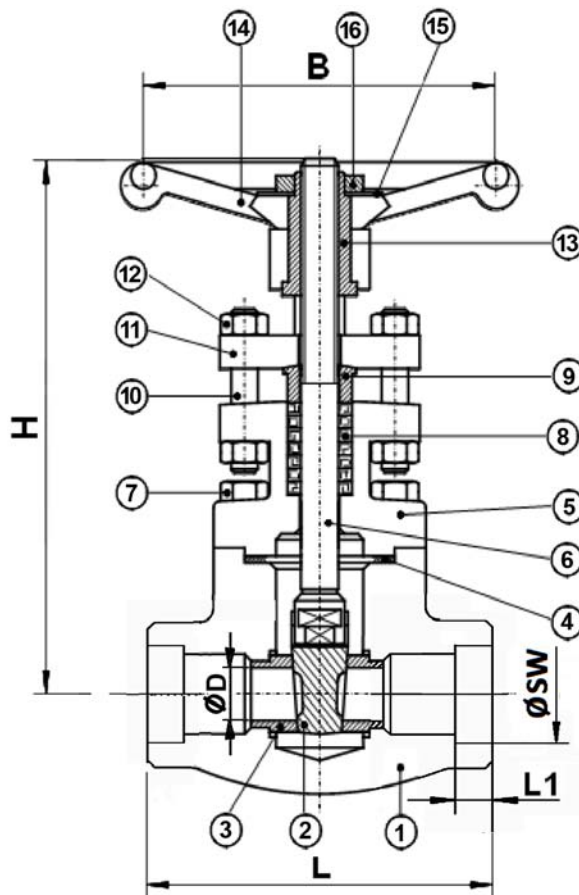
DN		L	H (opened)	ØD	ØB	L1	ØSW	Weight (kg)
mm	inch							
15	1/2"	90	160	9.6	80	12.7	2.18	2.2
20	3/4"	110	175	14	110	14.5	7.2	3.8
25	1"	127	210	18	110	16.3	9.9	5.5
32	1 1/4"	127	240	24	130	17.5	2.7	6.8
40	1 1/2"	127	260	30	130	19.4	8.8	9.5
50	2"	150	365	35	180	22.6	12.2	22.5

WORKING CONDITIONS

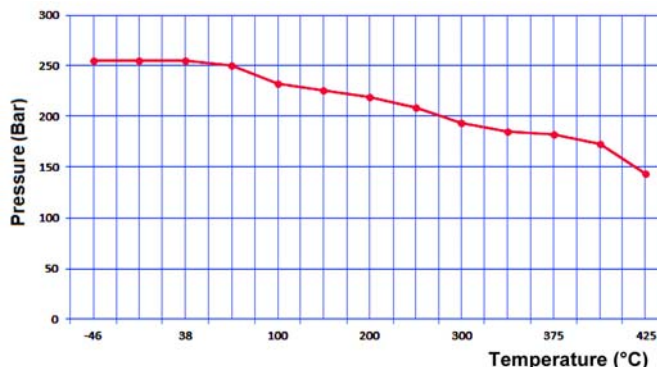
Maximum working pressure : 250 bar.
Maximum working temperature : -46°C/+425°C.

STANDARDS

Fabrication according to **ISO 9001 : 2008**
DIRECTIVE 2014/68/UE
Risk Category III module H
Designing according to **ISO 15761** and **API 602 8th**
Approval certificate **API 6D**
Tests according to **API 598**
Approval certificate Russian Federation **GOST-R**
Valves approved by the main oil industries
ATEX Group II Category 2 G/2D Zone 1 & 21 Zone 2 & 22
Socket welding (SW) connection.



PRESSION / TEMPERATURE GRAPH



TECOFI France - 83, Rue Marcel Mérieux 69960 Corbas - FRANCE
Tél. +33 (0) 4 72 79 05 79 - Fax +33 (0) 4 78 90 19 19 / +33 (0) 4 72 79 05 70
Adresses e-mail : sales@tecofi.fr ; tecofi@tecofi.fr / Site web : www.tecofi.fr