

Ref. : VAS5763NPT

Rev. : Initial

Date : 09/01/2015

Page : 1/1

FORGED GATE VALVE 1500LBS

VAS 5763NPT



APPLICATION

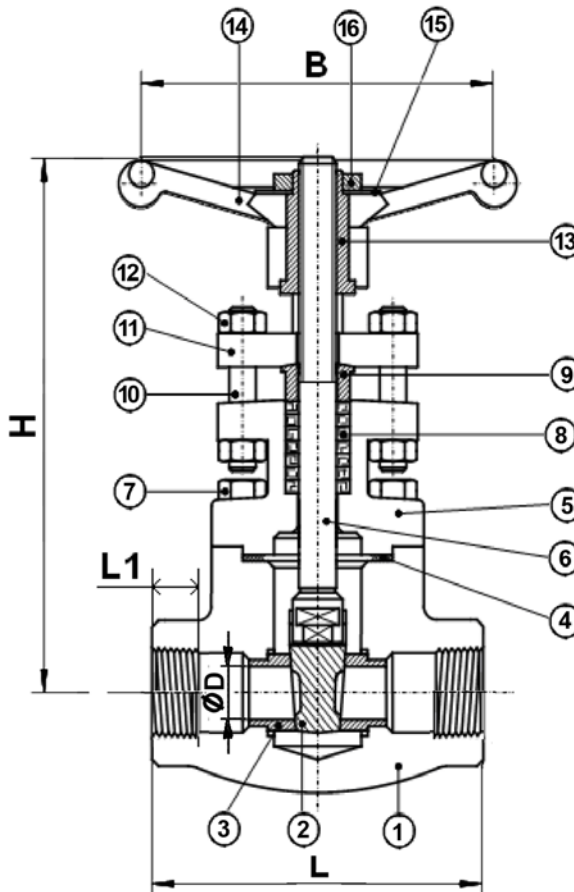
General use: Petroleum industry, steam, high pressure.

GENERAL CHARACTERISTICS

Full bore
Rising non rotating stem (OS&Y)
Bolted bonnet
Bolted gland pack
Forged carbon steel ASTM A 350 LF2
1/2 stellite (Trim 12)
1500 lbs

CONSTRUCTION

16	Handwheel nut	Carbon steel
15	ID plate	Aluminium
14	Handwheel	Carbon steel
13	Yoke nut	ASTM A473 type 416
12	Packing nut	ASTM A194 Gr.4
11	Gland packing	ASTM A182 F6a Cl 2
10	Gland tie rod	ASTM A320 L7
9	Gland	UNS S31600/S31603
8	Packing	Graphite
7	Screw	ASTM A320 L7
6	Stem	ASTM A479 316/316L
5	Bonnet	ASTM A350 LF2
4	Gasket	SS 316 + graphite spiral
3	Seat	ASTM A479 S31600/S31603 + Stellite GR.6'
2	Wedge	ASTM A182 316/316L
1	Body	ASTM A350 LF2
Pos.	Description	Material



DIMENSIONS

DN		L	H (opened)	ØD	ØB	L1	Weight (kg)
mm	inch						
15	1/2"	90	160	9.6	80	15	2.2
20	3/4"	110	175	14	110	18	3.8
25	1"	127	210	18	110	19	5.5
32	1"1/4	127	240	24	130	20	6.8
40	1"1/2	127	260	30	130	21	9.5
50	2"	150	355	36.5	180	21	22.5

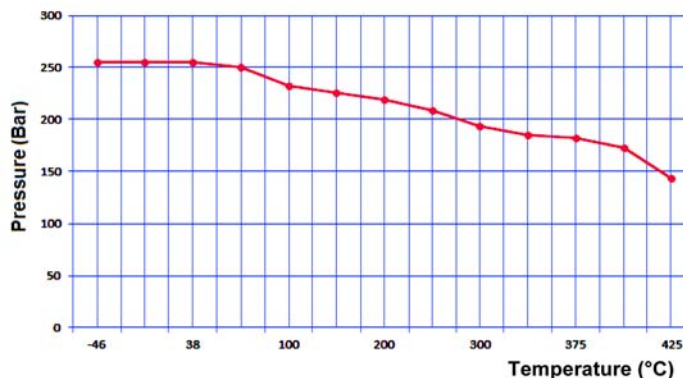
WORKING CONDITIONS

Maximum working pressure : 250 bar.
Maximum working temperature : -46°C/+425°C.

STANDARDS

Fabrication according to **ISO 9001 : 2008**
DIRECTIVE 97/23/CE
Risk Category III module H
Designing according to **ISO 15761** and **API 602 8th**
Approval certificate **API 6D**
Tests according to **API 598**
Approval certificate Russian Federation **GOST-R**
Valves approved by the main oil industries
ATEX Group II Category 2 G/2D Zone 1 & 21 Zone 2 & 22
Threaded female NPT ends according to **ANSI B1.20.1**

PRESSION / TEMPERATURE GRAPH



TECOFI France - 83, Rue Marcel Mérieux 69960 Corbas - FRANCE
Tél. +33 (0) 4 72 79 05 79 - Fax +33 (0) 4 78 90 19 19 / +33 (0) 4 72 79 05 70
Adresses e-mail : sales@tecofi.fr ; tecofi@tecofi.fr / Site web : www.tecofi.fr