

Ref. : VAS5743SW

Rev. : Initial

Date : 12/01/2015

Page : 1/1

# FORGED GATE VALVE 800LBS

## VAS 5743SW



### APPLICATION

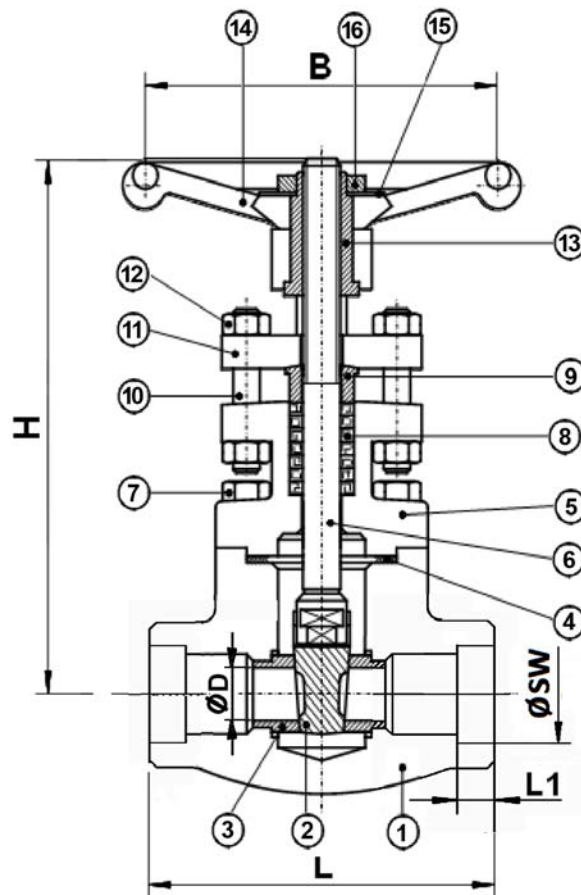
General use: Petroleum industry, steam, high pressure.

### GENERAL CHARACTERISTICS

Full bore  
Rising non rotating stem (OS&Y)  
Bolted bonnet  
Bolted gland pack  
Forged carbon steel ASTM A 350 LF2  
1/2 stellite ( Trim 12 )  
800 lbs

### CONSTRUCTION

16	Handwheel nut C	Carbon steel
15	D plate A	Aluminium
14	Handwheel	Carbon steel
13	Yoke nut	ASTM A473 type 416
12	Packing nut	ASTM A194 Gr.4
11	Gland packing	ASTM A182 F6a Cl 2
10	Gland tie rod	ASTM A320 L7
9	Gland	UNS S31600/S31603
8	Packing Gr	Graphite
7	Stem	ASTM A320 L7
6	Bonnet	ASTM A479 316/316L
5	Bonnet	ASTM A350 LF2
4	Gasket	SS 316 + graphite spiral
3	Seat	ASTM A479 S31600/S31603 + Stellite GR.6'
2	Wedge	ASTM A182 316/316L
1	Body	ASTM A350 LF2
<b>Pos.</b>	<b>Description</b>	<b>Material</b>



### DIMENSIONS

DN		L	H (opened)	ØD	ØB	L1	ØSW	Weight (kg)
mm	inch							
15	1/2"	90	15	5	14	80	12.7	2.2
20	3/4"	110	18	78	18	110	14.5	3.5
25	1"	127	22	10	24	110	16	5
32	1 1/4"	127	22	43	30	130	17.5	6.5
40	1 1/2"	127	22	62	36.5	130	19	9
50	2"	150	33	27	48	180	22	17

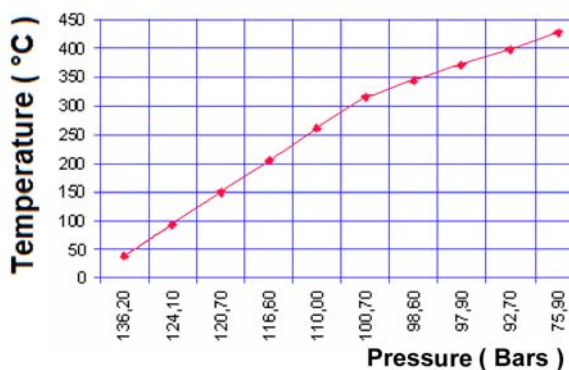
### WORKING CONDITIONS

Maximum working pressure : 136 bar.  
Maximum working temperature : -46°C/+425°C.

### STANDARDS

Fabrication according to **ISO 9001 : 2008**  
DIRECTIVE 2014/68/UE  
Risk Category III module H  
Designing according to **ISO 15761** and **API 602 8th**  
Approval certificate **API 6D**  
Tests according to **API 598**  
Approval certificate Russian Federation **GOST-R**  
Valves approved by the main oil industries  
ATEX Group II Category 2 G/2D Zone 1 & 21 Zone 2 & 22  
Socket welding (SW) connection.

### PRESSION / TEMPERATURE GRAPH



**TECOFI France** - 83, Rue Marcel Mérieux 69960 Corbas - FRANCE  
Tél. +33 (0) 4 72 79 05 79 - Fax +33 (0) 4 78 90 19 19 / +33 (0) 4 72 79 05 70  
Adresses e-mail : sales@tecofi.fr ; tecofi@tecofi.fr / Site web : [www.tecofi.fr](http://www.tecofi.fr)