

Ref. : VAS5211

Rev. : Initial

Date : 08/01/2015

Page : 1/1

FLANGED TYPE FORGED GATE VALVE PN20

VAS 5211



Tecofi
VALVE DESIGNER - FRANCE

APPLICATION

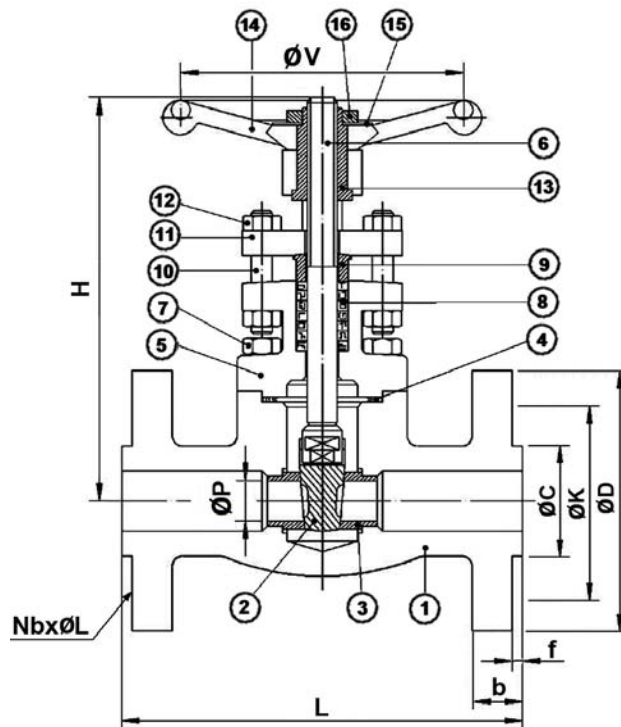
General use: Petroleum industry, steam, high pressure.

GENERAL CHARACTERISTICS

Standard bore
Integral body flanges
Rising non rotating stem (OS&Y)
Bolted bonnet
Bolted packing
Forged carbon steel A105N
Full stellite (Trim 5)
Flanges R.F. ISO PN20 ANSI150.

CONSTRUCTION

16	H andwheel nut	Carbon steel
15	I D plate A	aluminium
14	H andwheel	Carbon steel
13	Yoke nut	Steel ASTM A473 type 416
12	Gland nut	Steel ASTM A194 2H
11	G land flange	Steel ASTM A105
10	Packing tie rod	SS ASTM A276 type 410
9	Gland	SS ASTM A276 type 410
8	P acking Gr	aphite
7	Screw	Steel ASTM A193 B7
6	Stem	SS ASTM A276 type 410
5	B onnet	Steel ASTM A105N
4	Gasket	SS ASTM A182 F316 + graphite
3	S eat	SS ASTM A276 type 410 Stellite
2	Wedge	Steel ASTM A182 F6a stellite
1	B ody	Steel ASTM A105N
Pos.	Description	Material



DIMENSIONS

DN		L	H (opened)	ØP	Ø V	ØC	ØK	ØD	NbxØL	f	b	Weight (kg)	
mm	inch												
15	1/2"	108	185	14	80	34.9	60.5	8	9	4xØ16	1.6	11.5	3.4
20	3/4"	117	210	18	80	42.9	70	98.5	10	4xØ16	1.6	13	3.8
25	1"	127	240	24	110	50.8	79.5	10	8	4xØ16	1.6	14.5	5.7
40	1 1/2"	165	285	36	130	73.9	85	12	7	4xØ16	1.6	18	9.7
50	2"	178	315	48	130	92.1	120.5	15	2.5	4xØ19	1.6	19.5	15

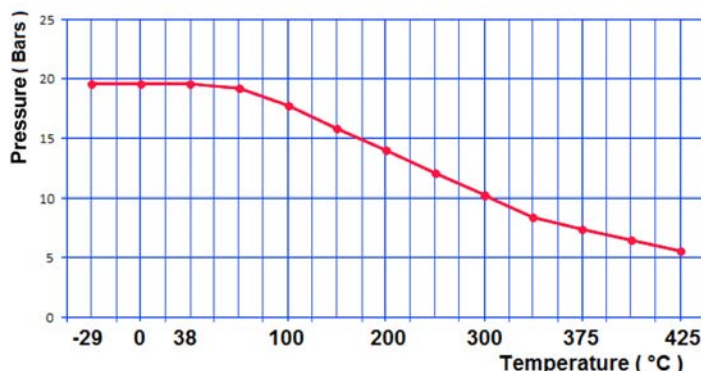
WORKING CONDITIONS

Maximum working pressure : 20 bar.
Maximum working temperature : -29°C/+425°C.

STANDARDS

Fabrication according to **ISO 9001 :2008**
DIRECTIVE 2014/68/UE
Risk category III module H
Designing according to **ISO 15761** and **API 602 8th**
Approval certificate **API 6D**
Tests according to **API 598**
Approval certificate Russian Federation **GOST-R**
Valves approved by the main oil industries
ATEX Group II Category 2 G/2D Zone 1 & 21 Zone 2 & 22
Integral body flanges R.F. according to **ASME B16.05**
Length according to **EN 558 Series 3**

PRESSURE / TEMPERATURE GRAPH



TECOFI France - 83, Rue Marcel Mérieux 69960 Corbas - FRANCE
Tél. +33 (0) 4 72 79 05 79 - Fax +33 (0) 4 78 90 19 19 / +33 (0) 4 72 79 05 70
Adresses e-mail : sales@tecofi.fr ; tecofi@tecofi.fr / Site web : www.tecofi.fr